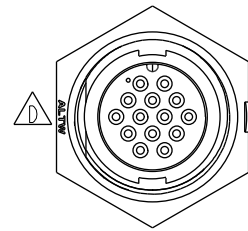
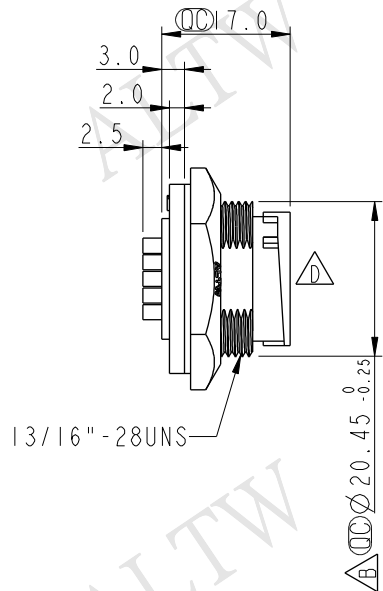
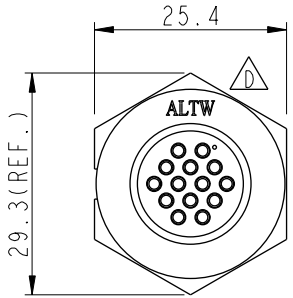
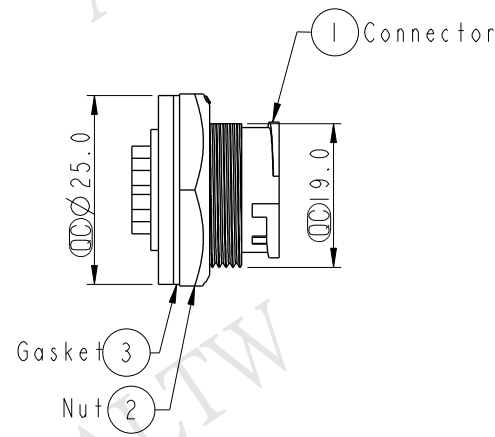
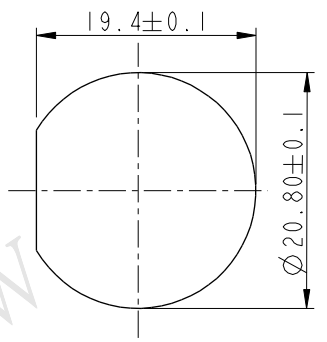
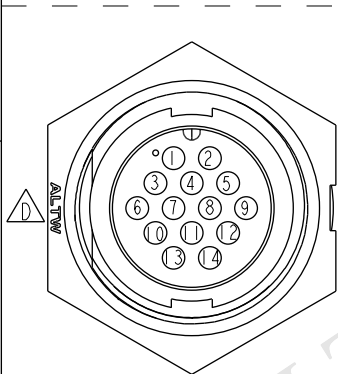


REV.	ECN NO.	DATE	SIGN	DESCRIPTION
B		2007/04/14	Zhang Jin	Change 20.60 To 20.45
C	LEN-8B0090	2008/09/25	Shin	Add Note
D	LEN1530028	2014/10/13	Jason.Yu	Modify LOGO



ALTW
CONFIDENTIAL
 2014-10-13
 R&D DEPT.

ALTW
 DCC. DEPT.
 CONFIDENTIAL
 2015.03.04
 ISSUED



- Notes:
- * \varnothing Important Dimension To Check.
 - * Waterproof Rate: IP67
 - * Housing: Nylon+GF, Black
 - * Pin: Copper Alloy, Gold Plated
 - * Gasket: EPDM, Black
 - \triangle * Use with waterproof cap or dust cap
Panel Thickness Max: 3.0mm
 - \triangle * Use without waterproof cap or dust cap
Panel Thickness Max: 4.0mm

Pin Assignments
Front View

Recommended Panel Cut-Out

UNIT:mm		TITLE		ITEM NO	DRAWN BY	DATE
		Middle, Panel Lock 14Pin M Conn. M Pin				
TOLERANCE		SCALE	SIZE	DWG NO	CHECKED BY	DATE
.X ±0.25		1:1	A4	CD-14PMMS-LC7001	Aric	2014/10/13
.XX ±0.1	REV.	WC-REV.	SHEET	CUSTOMER	APPROVED BY	DATE
.XXX ±0.05	D	A.2	1 OF 1	ALTW	Win	2014/10/13
ANGLES ±1°	\varnothing : Inspection item		Amphenol LTW			
			安費諾亮泰企業股份有限公司			

THIS DOCUMENT IS SUBJECT TO CHANGE WITHOUT NOTICE. IT IS CONFIDENTIAL AND A PROPERTY OF AMPHENOL LTW. DISCLOSURE TO THIRD PARTY HAS TO BE AUTHORIZED BY AMPHENOL LTW.