

1

2

3

4

5

6

7

A

B

C

D

E

F

A

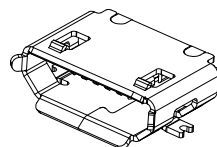
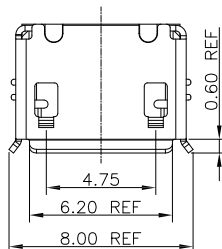
B

C

D

E

F



NOTES:

1. MATERIAL:

- 1.1 HOUSING: LCP+30%G.F UL94V-0, BLACK COLOR.
- 1.2 CONTACT: BRASS
- 1.3 SHELL: SUS301

2. FINISH:

- 2.1 CONTACT:
 - CONTACT AREA: GOLD PLATED 5u"
 - SOLDER AREA: TIN PLATED
 - UNDER PELATE: NI PLATED

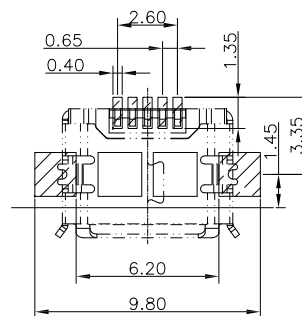
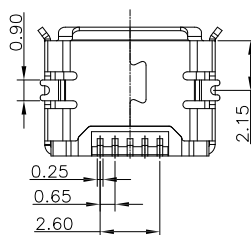
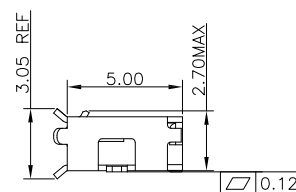
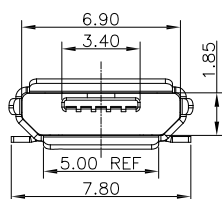
- 2.2 SHELL: NI PLATED

3. MECHANICAL:

- 3.1 MATING FORCE: 3.57kgf MAX.
- 3.2 UNMATING FORCE: 0.8kgf MIN
- 3.3 DURABILITY: 10000 CYCLES MIN

4. ELECTRICAL:

- 4.1 CURRENT RATING: 0.5A.
- 4.2 DIELECTRIC STRENGTH: 100V AC FOR 1MINUTE.
- 4.3 CONTACT RESISTANCE: 30mΩ MAX.
- 4.4 INSULATION RESISTANCE: 1000MΩ MIN
- 5. OPERATING TEMPERATURE: -30°C TO +80°C.



Recommended P.C.Board Layout
(Tolerance: ±0.05)

RoHS compliant
unit:mm

Scale	FREE						Date	Name	Customer-No.
TOLERANCE					Drawn	23.10.2013	Ray		
X.X	±0.30				Approved	23.10.2013	Ray		
X.XX	±0.20								ASSMANN WSW-No.
X.XXX	±0.10								AU-Y1009
DIM	TOL								Drawing-No.
X.°	±5°								ASS 6064 CO
		©	Drawn	23.10.2013	Ray				rev00
Angle	TOL	Id.	Modification	Date	Name			Replace	Sheet 1 of 1

1

2

3

4

5

6

7

H

H