

DWG. IO.
SD-35021-002

SIMILAR ITEM

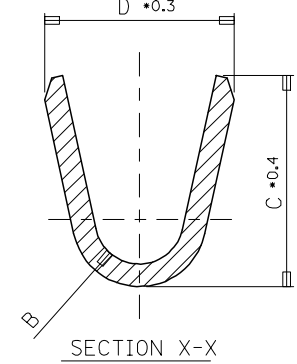
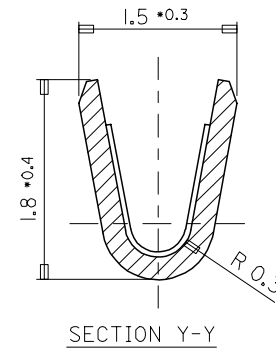
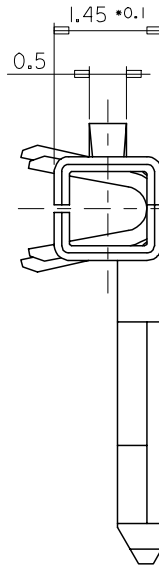
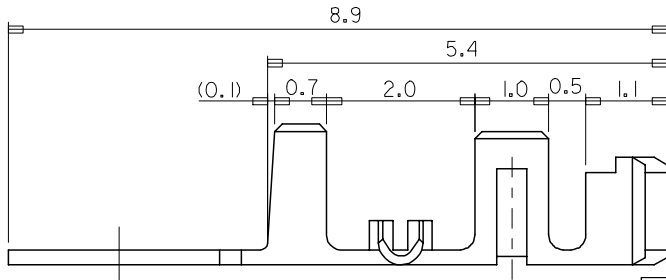
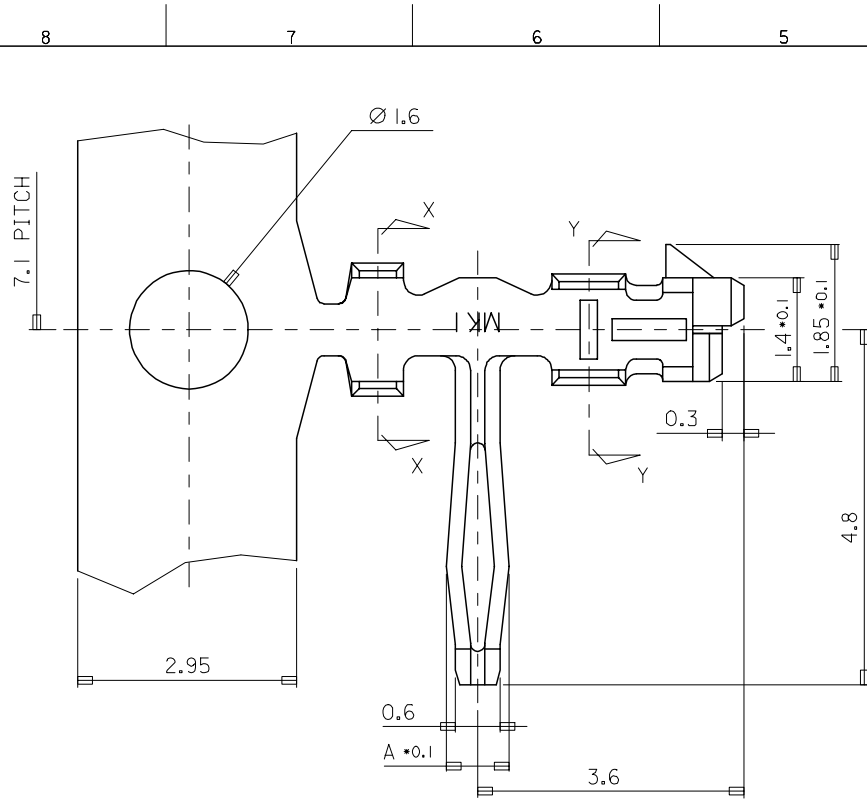
PROJECT NO.

C

B

DO NOT SCALE DRAWING
DIMENSION IN METRIC

LEAD FREE



NOTES:

1. MATERIAL
 - 1) BRASS (CDA 260)
 - 2) PHOSPHOR BRONZE (CDA 510)
2. FINISH
 - TIN(Sn) THICKNESS = 3.0 MICROMETER MINIMUM
 - NICKEL(Ni) UNDERPLATE THICKNESS=1~3 MICROMETER
3. USED HOUSING : 35022-00**/35023-00**/68418-***00
4. THIS PRODUCT IS LEAD FREE OF 35021-***10

POST-PLATED	PHOS. BRON.	AWG #24-#30 (INS. DIA: Ø 1.5 MAX.)	1.8	1.9	R0.4	0.85	350211360	35021-1360
POST-PLATED	PHOS. BRON.	AWG #22-#30 (INS. DIA: Ø 1.9 MAX.)	2.5	2.5	R0.7	1.05	350211160	35021-1160
PLATING	MATERIAL	WIRE RANGE	D	C	B	A	MAT'L NO.	ENG NO.

REVISED EC NO. K0R2007-0069 DRWN: H.JEONG 2006/12/22 CHK: K.S.KIM 2006/12/22 APPR: Y.SOOKIM 2006/12/22	QUALITY SYMBOLS MAJOR = CRITICAL =	GENERAL TOLERANCES: (UNLESS SPECIFIED)		SCALE 15-1	DESIGN UNITS <input checked="" type="checkbox"/> mm <input type="checkbox"/> INCH	THIRD ANGLE PROJECTION 	DIMENSIONS: <input type="checkbox"/> mm <input type="checkbox"/> INCH <input type="checkbox"/> mm <input checked="" type="checkbox"/> ONLY	SHT REV
		4 PLACES ±0. ±	3 PLACES ±0. ±	2 PLACES ±0. ±	1 PLACE ±0.3 ±	ANGULAR: ± 1 °	DRAWN BY & DATE HSSHIN	
C	DESCRIPTION	DRAFT WHERE APPLICABLE MUST REMAIN WITHIN DIMENSIONS		APPROVED BY & DATE CWLEE		MATERIAL NO. SEE TABLE		REVISE ON CAD ONLY
		THIS DRAWING CONTAINS INFORMATION THAT IS PROPRIETARY TO MOLEX INCORPORATED AND SHOULD NOT BE USED WITHOUT WRITTEN PERMISSION.		DRAWING NO. SD-35021-002		SHEET NO. 1 OF 1		SIZE B

MX-A3