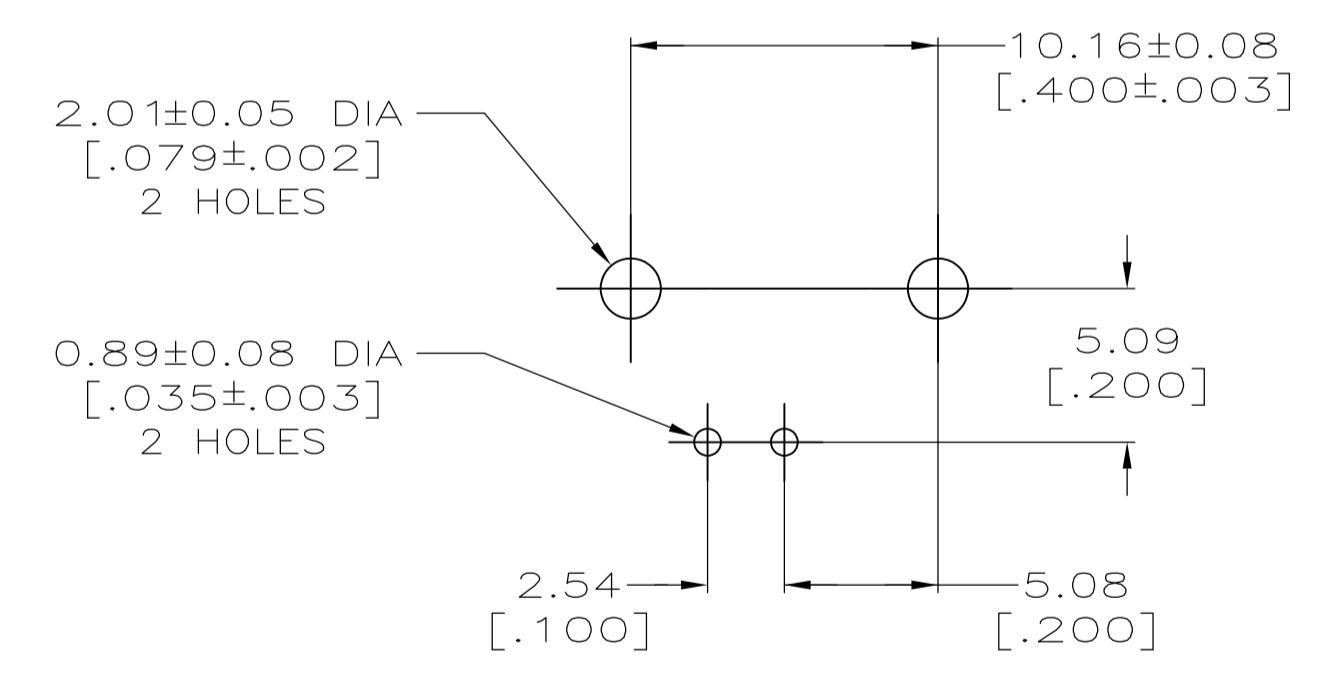
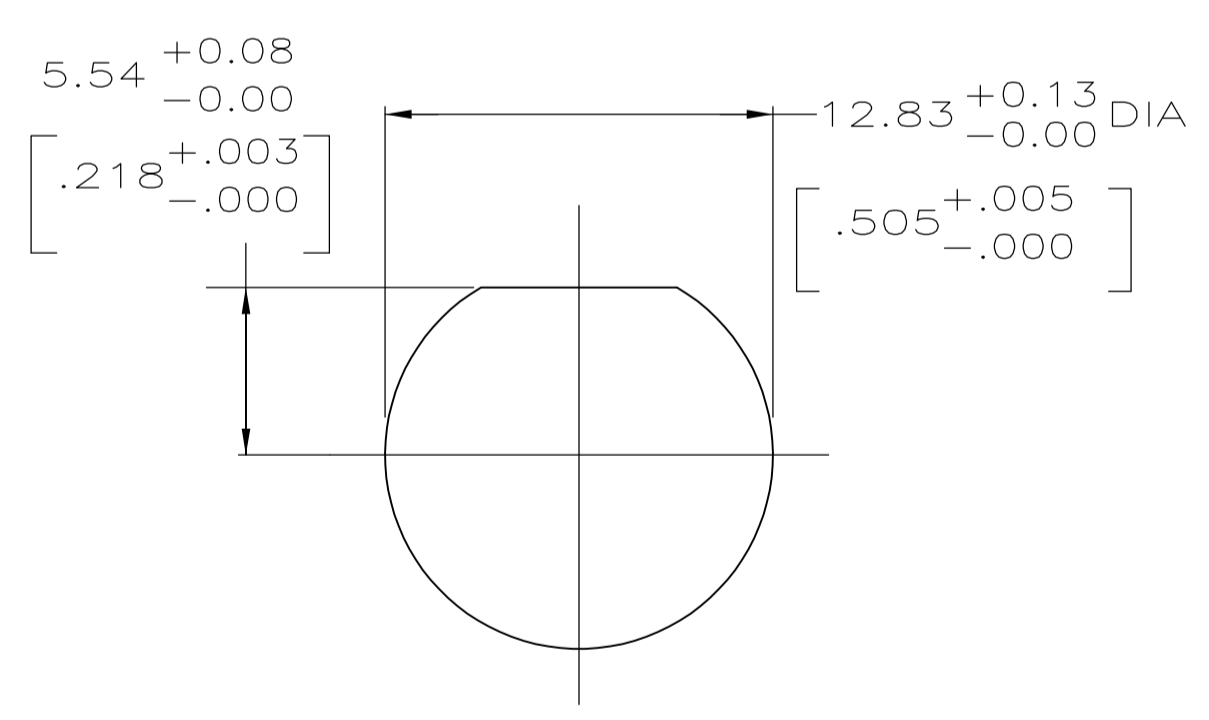
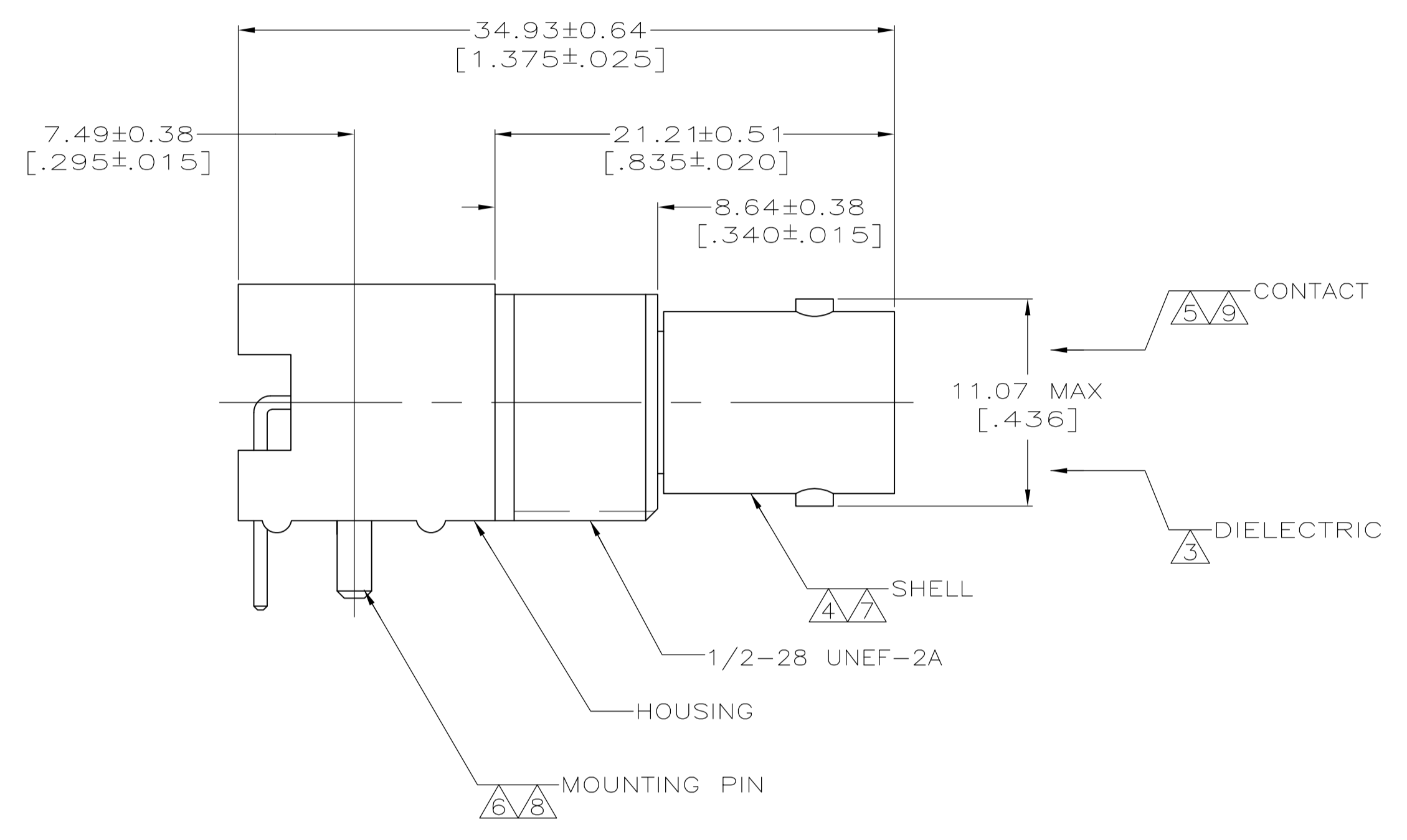
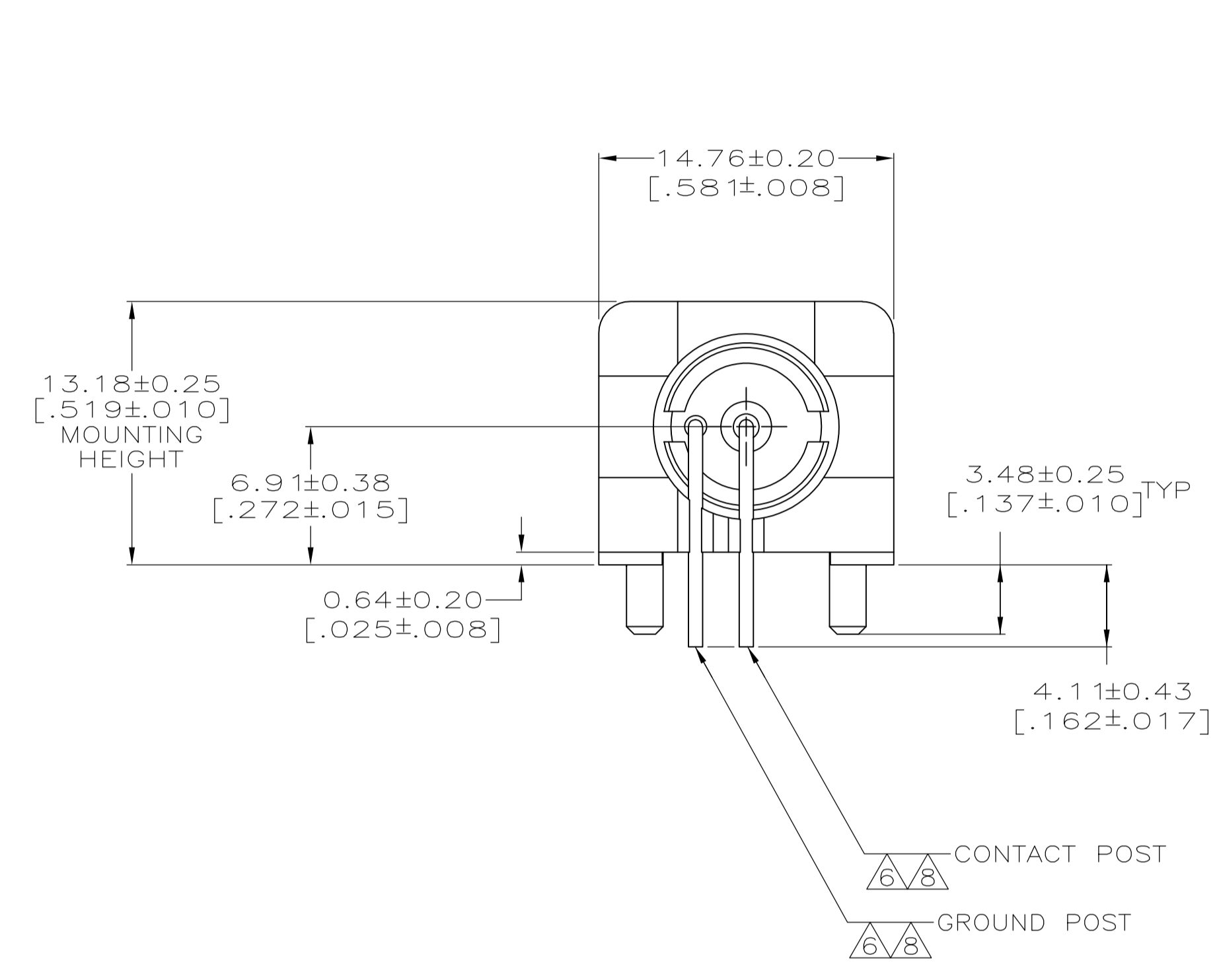


LOC	DIST	REVISIONS			
		REV	PER	DATE	BY
AJ	16	J	REV PER ECO 08-009474	7/21/2008	DW JL

- 1 POLYESTER PBT PER MIL-M-24519, TYPE GPT-15F, UL94V-0 RATED, COLOR:NATURAL
- 2 POLYESTER PBT PER MIL-M-24519, TYPE GPT-15F, UL94V-0 RATED, COLOR:BLACK
- 3 POLYMETHYLPENTENE, GENERAL PURPOSE.
- 4 ZINC PER QQ-Z-363.
- 5 BERYLLIUM COPPER PER QQ-C-530.
- 6 BRASS PER ASTM-B-453.
- 7 NICKEL PLATE PER QQ-N-290  
3.81 μm [.000150] MINIMUM THICK.
- 8 TIN PLATE PER ASTM-B-545  
3.81 μm [.000150] MINIMUM THICK.
- 9 GOLD PLATE PER MIL-G-45204  
0.76 μm [.000030] MINIMUM THICK.
- 10. SEE INSTRUCTION SHEET 2769.



HOUSING MATERIAL	413194-2 413194-1 PART NO
------------------	---------------------------------

THIS DRAWING IS A CONTROLLED DOCUMENT.		DIN 11-29-90 GJK 2-1-91 J. LIPPERT A. GABANY 2-1-91		Tyco Electronics Corporation Middletown, PA 17057	
DIMENSIONS: INCHES		TOLERANCES UNLESS OTHERWISE SPECIFIED:		NAME: JACK, RIGHT ANGLE, PCB, 75 OHM, BNC	
0 PLC ± -		1 PLC ± -		SIZE: A1	
1 PLC ± -		2 PLC ± 0.06 [.002]		CAGE CODE: 00779	
2 PLC ± -		3 PLC ± -		DRAWING NO: 413194	
3 PLC ± -		4 PLC ± -		RESTRICTED TO: -	
4 PLC ± -		ANGLES ± -		WEIGHT: -	
MATERIAL: SEE NOTES 1-6		FINISH: SEE NOTES 7-9		CUSTOMER DRAWING	
		SCALE: 4:1		SHEET 1 OF 1	