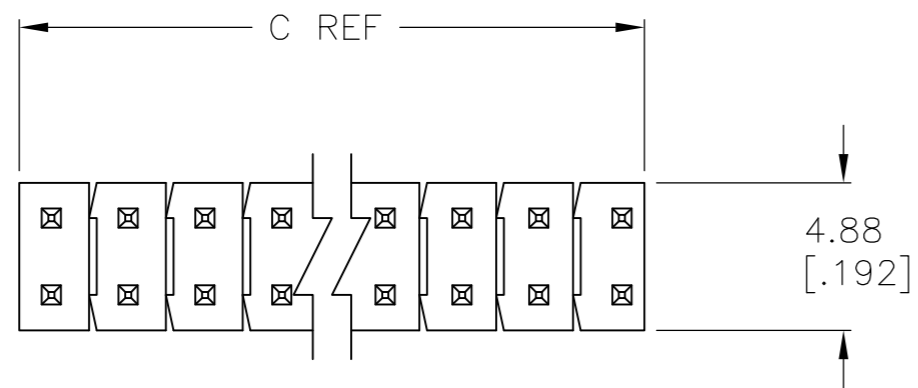
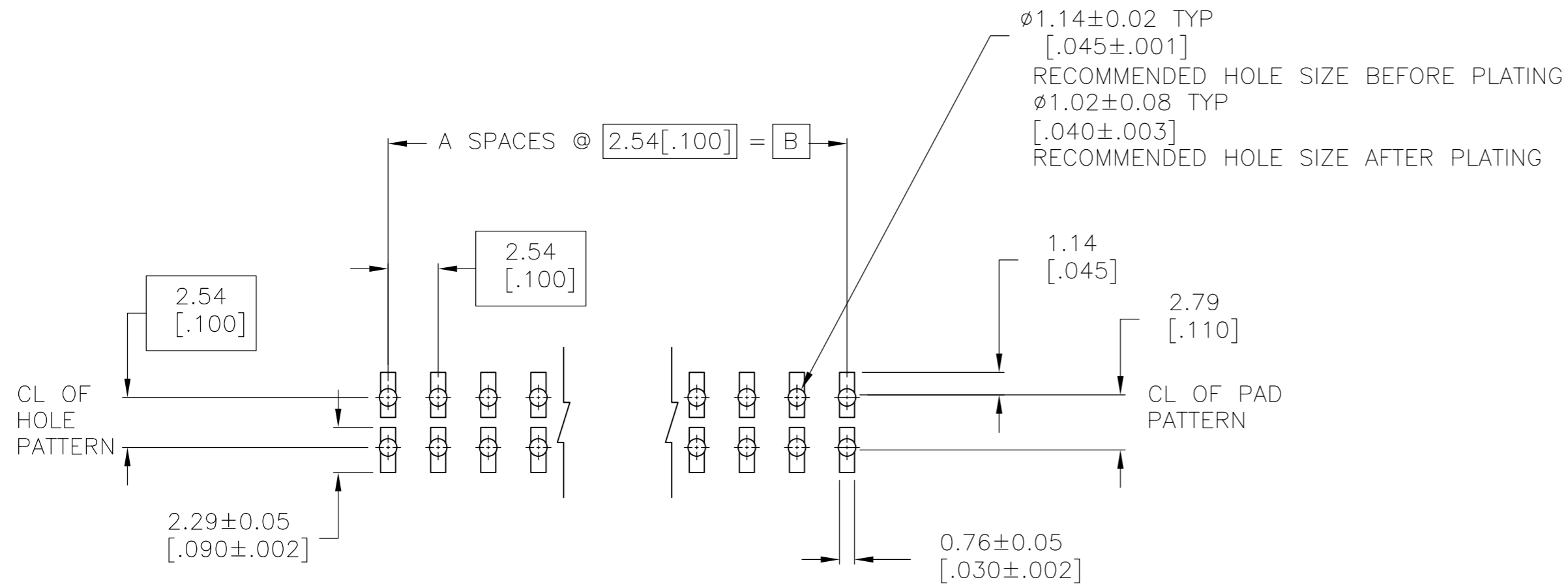
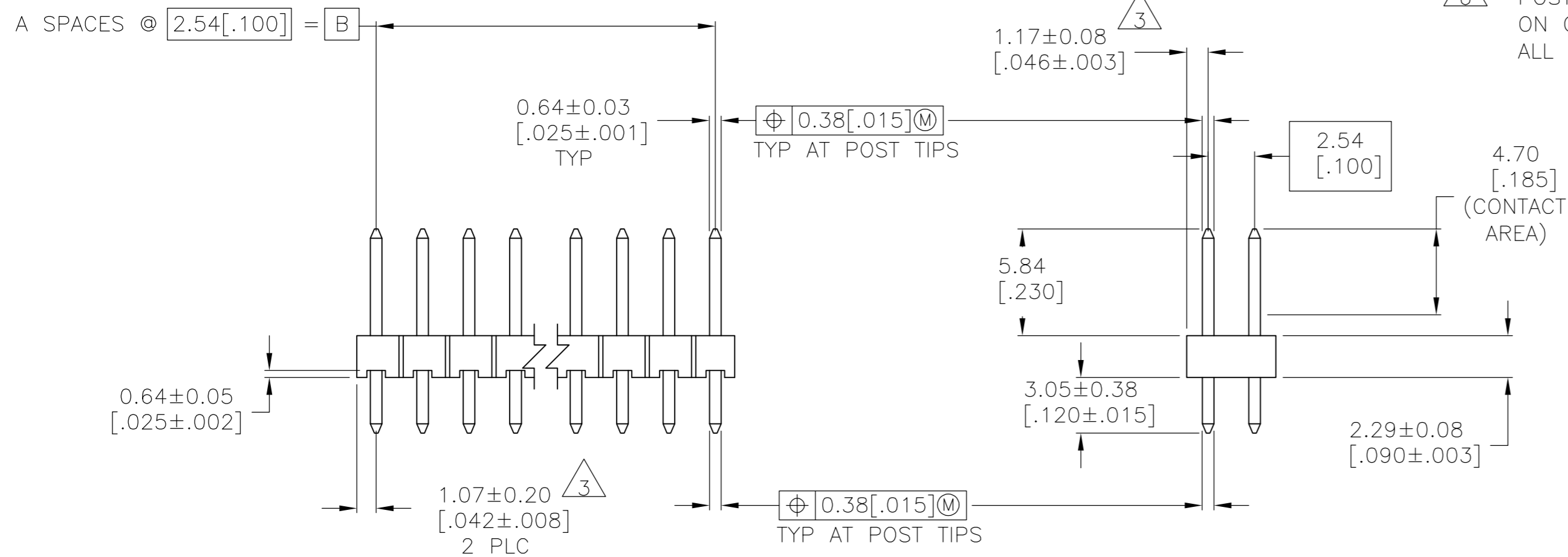


THIS DRAWING IS UNPUBLISHED. RELEASED FOR PUBLICATION
 © COPYRIGHT - By - ALL RIGHTS RESERVED.

LOC		DIST		REVISIONS			
P	LTR	DESCRIPTION		DATE	DWN	APVD	
AD	00	C		REVISED PER ECO-14-006554	08MAY2014	NK	MM



- ASSEMBLY MAY BE BROKEN TO THE DESIRED NUMBER OF POSITIONS.
- TRUE POSITION TOLERANCE OF THE POST TIPS APPLIES WHEN THE HEADER IS HELD FLAT AGAINST THE PRINTED CIRCUIT BOARD.
- THE NOTED DIMENSIONS APPLY AT THE INTERSECTION OF THE POST AND HOUSING.
- HOUSING: LCP, COLOR-BLACK.
- POST: PHOSPHOR BRONZE.
- POST PLATING: 0.000076[.000003] MIN GOLD OVER 0.00068[.000027] Pd/Ni ON CONTACT AREA, 0.00254-0.00508[.000100-.000200] MATTE TIN ON SOLDER TAIL, ALL OVER 0.00127[.000050] NICKEL.



RECOMMENDED PC BOARD MOUNTING DIMENSIONS FOR 1.60 [0.063] THICK PC BOARD AND 0.305 [0.0120] STENCIL THICK.

6	101.19 [3.984]	99.06 [3.900]	39	80	8-1977946-0
6	-	-	0	2	1977946-2
PLATING	C	B	A	NO. OF POSITIONS	PART NUMBER

DIMENSIONS:		TOLERANCES UNLESS OTHERWISE SPECIFIED:		MATERIAL		FINISH		WEIGHT		SCALE		SHEET		REV	
mm	[INCHES]	0 PLC	1 PLC	2 PLC	3 PLC	4 PLC	ANGLES	FINISH	WEIGHT	SCALE	SHEET	REV			
		± -	± -	± 0.51[.02]	± 0.127[.005]	± 0.0127[.0005]	± -	SEE TABLE	-	4:1	1 OF 1	C			

1977946