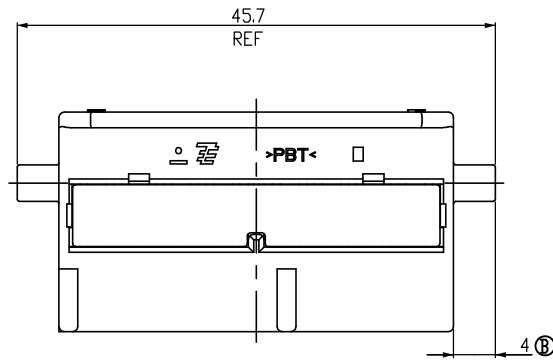
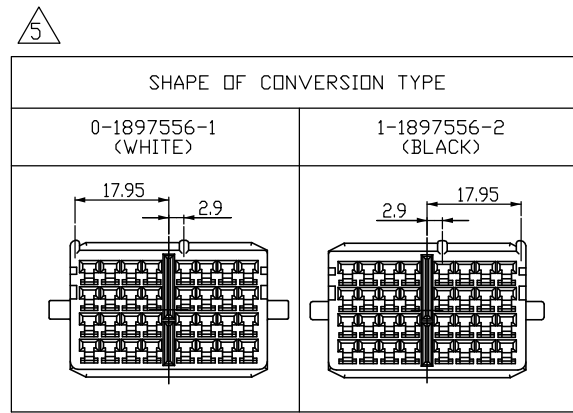


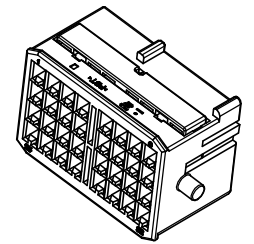
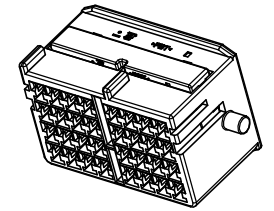
THIS DRAWING IS UNPUBLISHED. RELEASED FOR PUBLICATION 20
 © COPYRIGHT 20 BY TYCO ELECTRONICS CORPORATION. ALL RIGHTS RESERVED.

LOC	DIST	REVISIONS					
		P	LTR	DESCRIPTION	DATE	DWN	APVD
DS		A		RELEASED	03APR09	IS	HG
		B		REVISED (ECR-10-008163)	13APR10	WY	HG

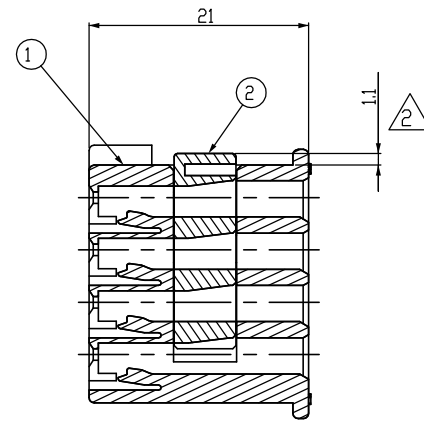
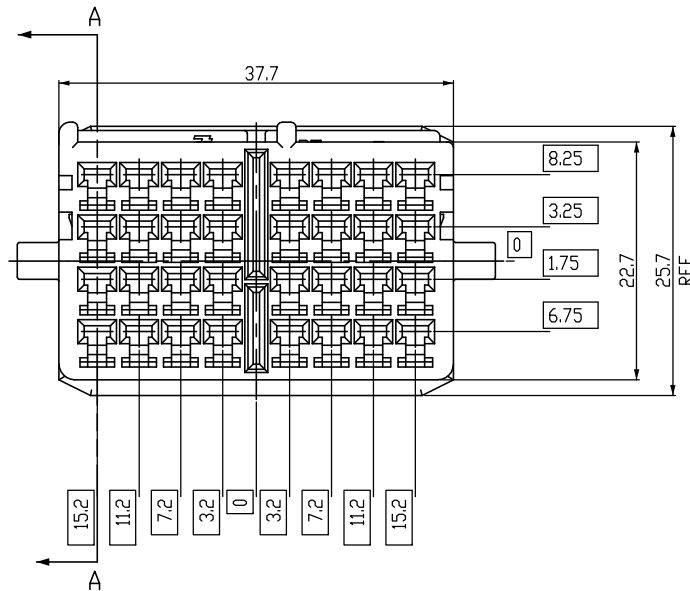


[TABLE 1]

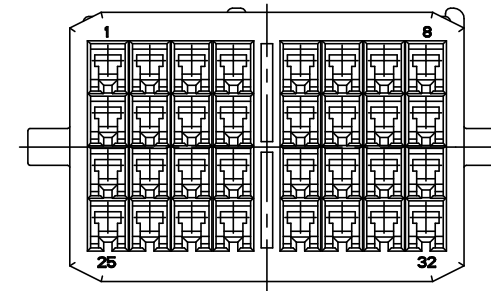
TYPE	P/N	WIRE SIZE	MATERIAL/FINISH
.090	0-1743654-1	0.3~0.5	CuNiSI ALLOY PRE-TIN
	0-1743655-1	0.75~1.25	
	0-1743656-1	1.5~2.0	
	0-1897598-1	2.5	



ISO VIEW



SECTION A-A



- NOTE
- 1.GENERAL TOLERANCE: ±0.3, ±3°
 - 2.CONDITION OF DELIVERY: DBL IN 1ST.LOCKING POSITION
 - 3.APPLIED CAP ASSY P/N:X-1897552-X
 - 4.APPLIED REC.CONTACT P/N: TABLE1
 - 5.CHECK CONVERSION KEY CODE

ASSY P/N
0-1897556-1
1-1897556-2

NO	COLOR	MATERIAL	DESCRIPTION	Q'TY
2	YELLOW	PBT	DBL HSG	1 1
①	BLACK	PBT	PLUG HSG	- 1
①	NATURAL	PBT	PLUG HSG	1 -

THIS DRAWING IS A CONTROLLED DOCUMENT FOR TYCO ELECTRONICS CORPORATION. IT IS SUBJECT TO CHANGE AND THE CONTROLLING ENGINEERING ORGANIZATION SHOULD BE CONTACTED FOR THE LATEST REVISION.

DIMENSIONS: mm	TOLERANCES UNLESS OTHERWISE SPECIFIED	DWN WY JANG	CHK JW JUNG	APVD HG CHO	PRODUCT SPEC	NAME Tyco Electronics Kyungsan Korea
3RD ANGLE PROJECTION	0 PLC ± 1 PLC ± 2 PLC ± 3 PLC ± 4 PLC ± ANGLES ±	APPLICATION SPEC	WEIGHT -	SIZE A2	CAGE CODE 00779	DRAWING NO C=1897556
MATERIAL -	FINISH -	CUSTOMER DRAWING	SCALE 2:1	SHEET 1 OF 1	REV B	RESTRICTED TO -