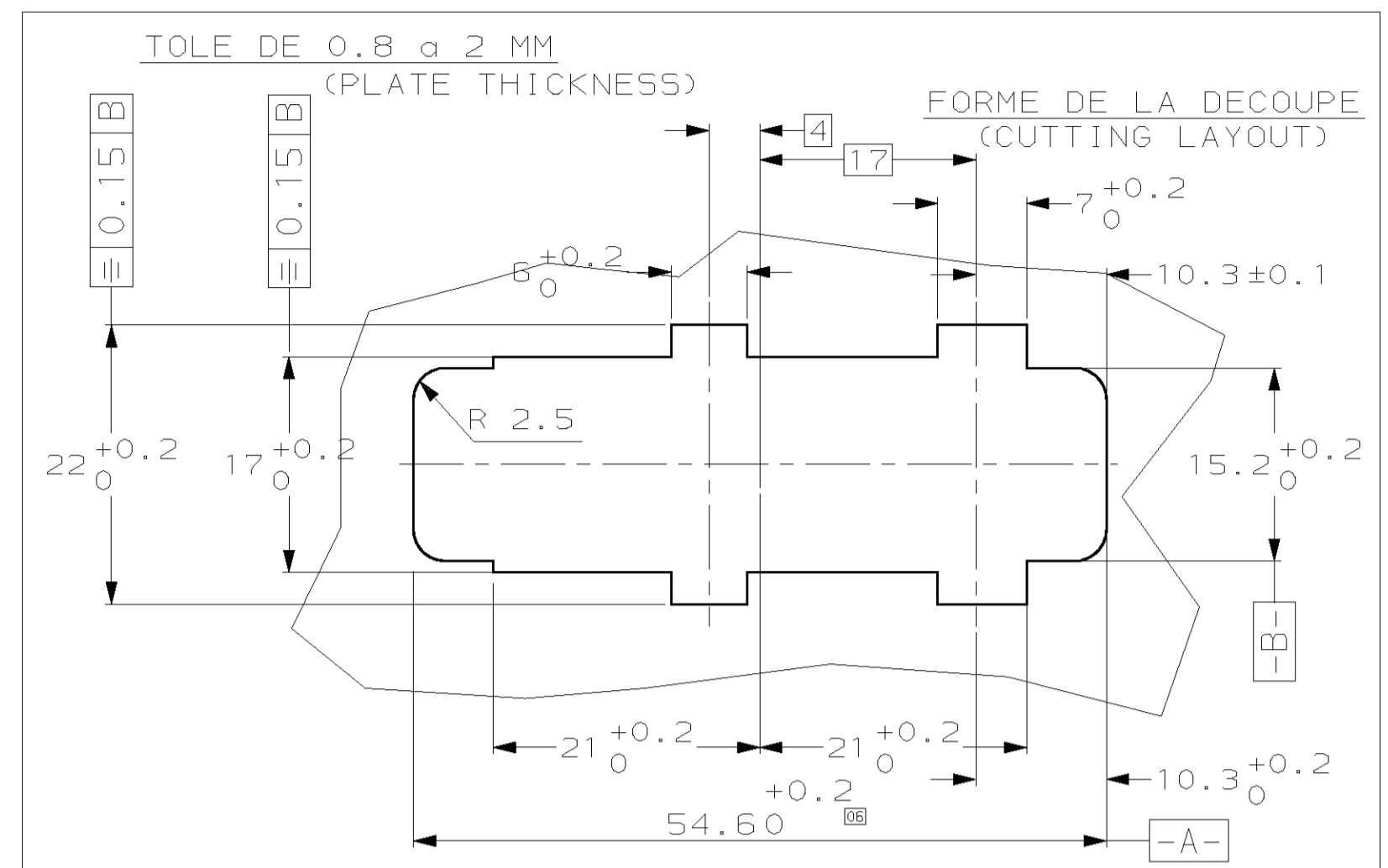
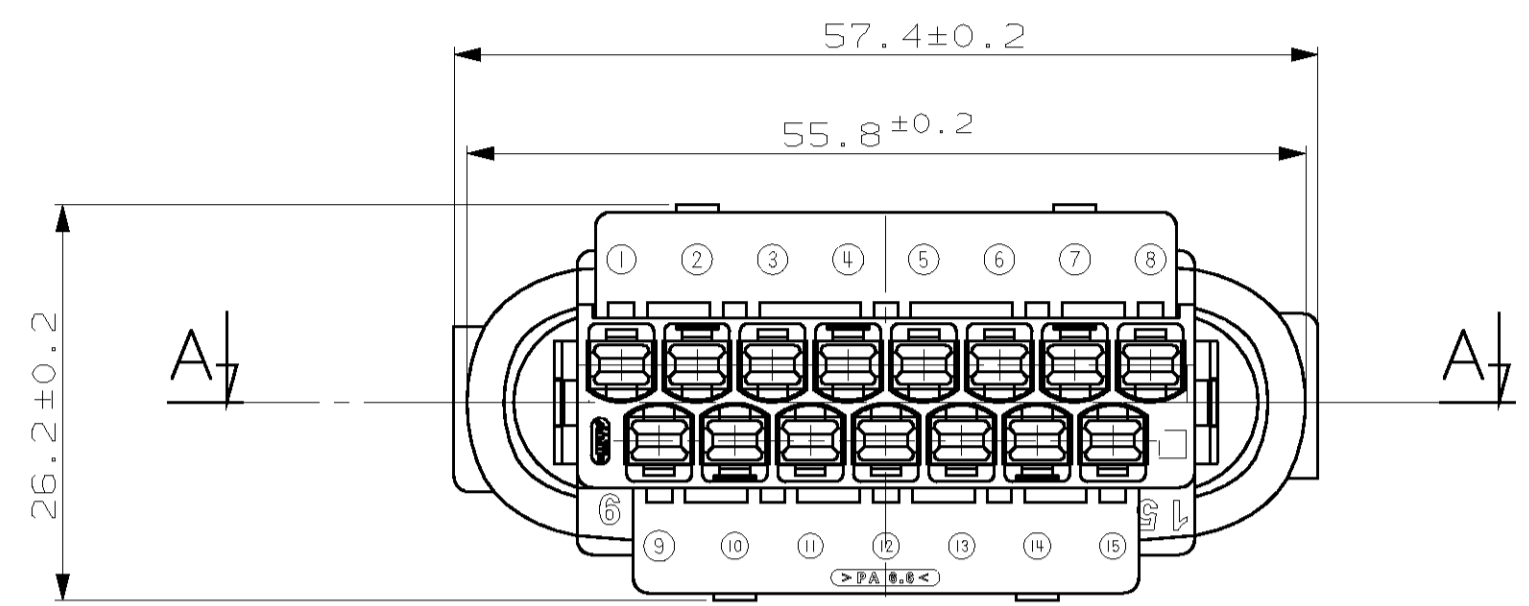
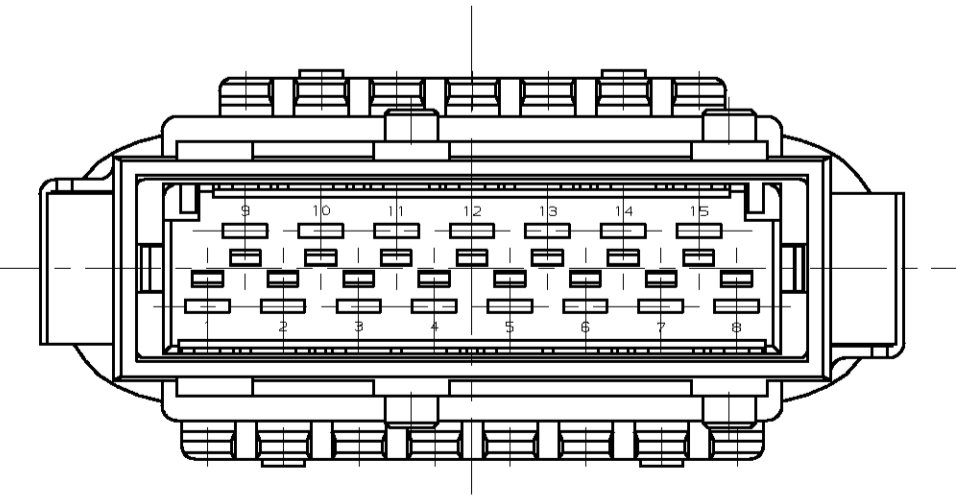
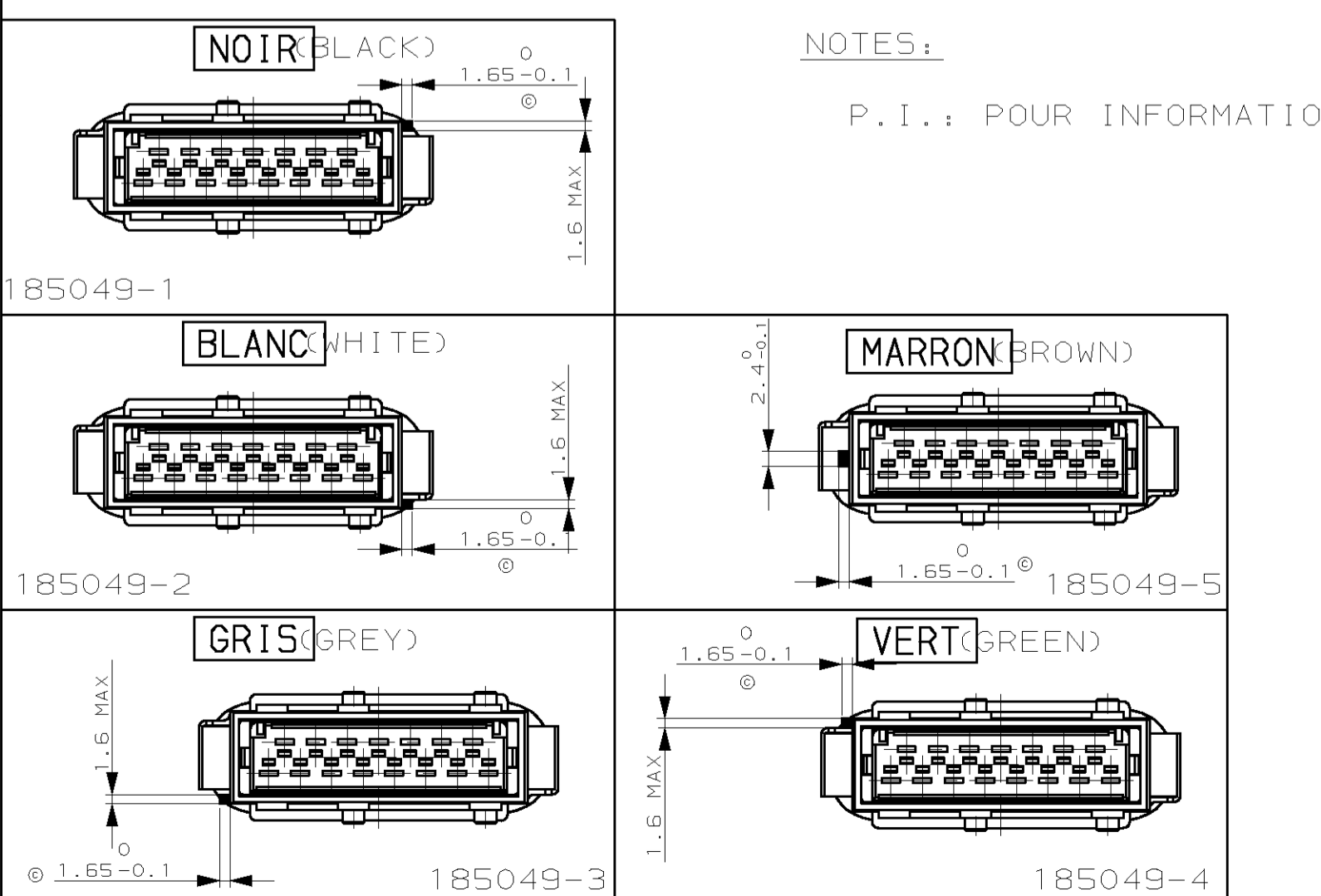
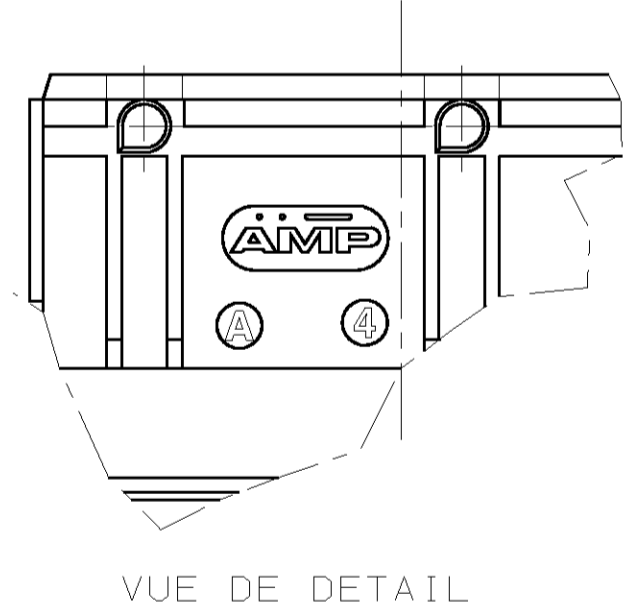
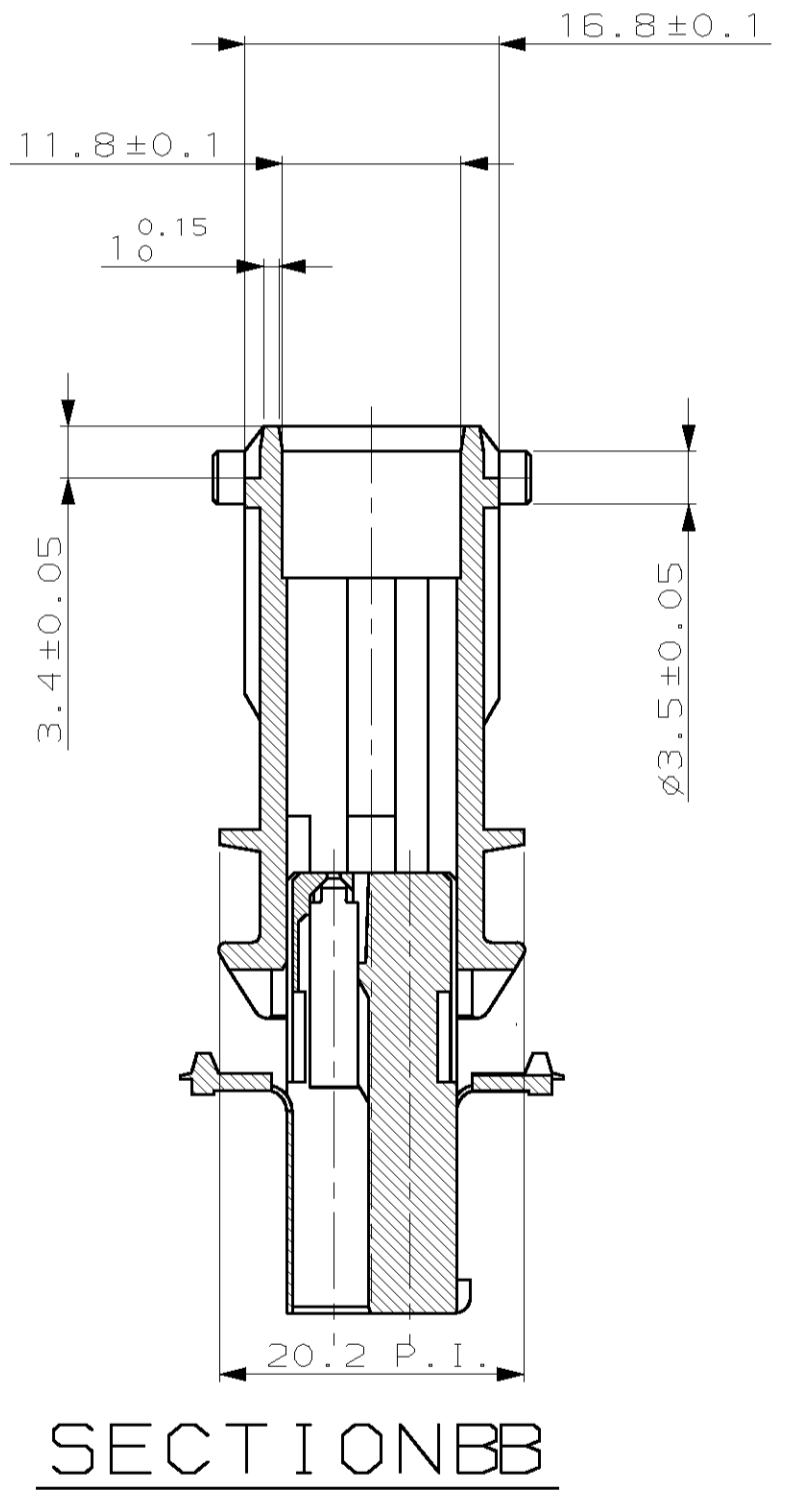
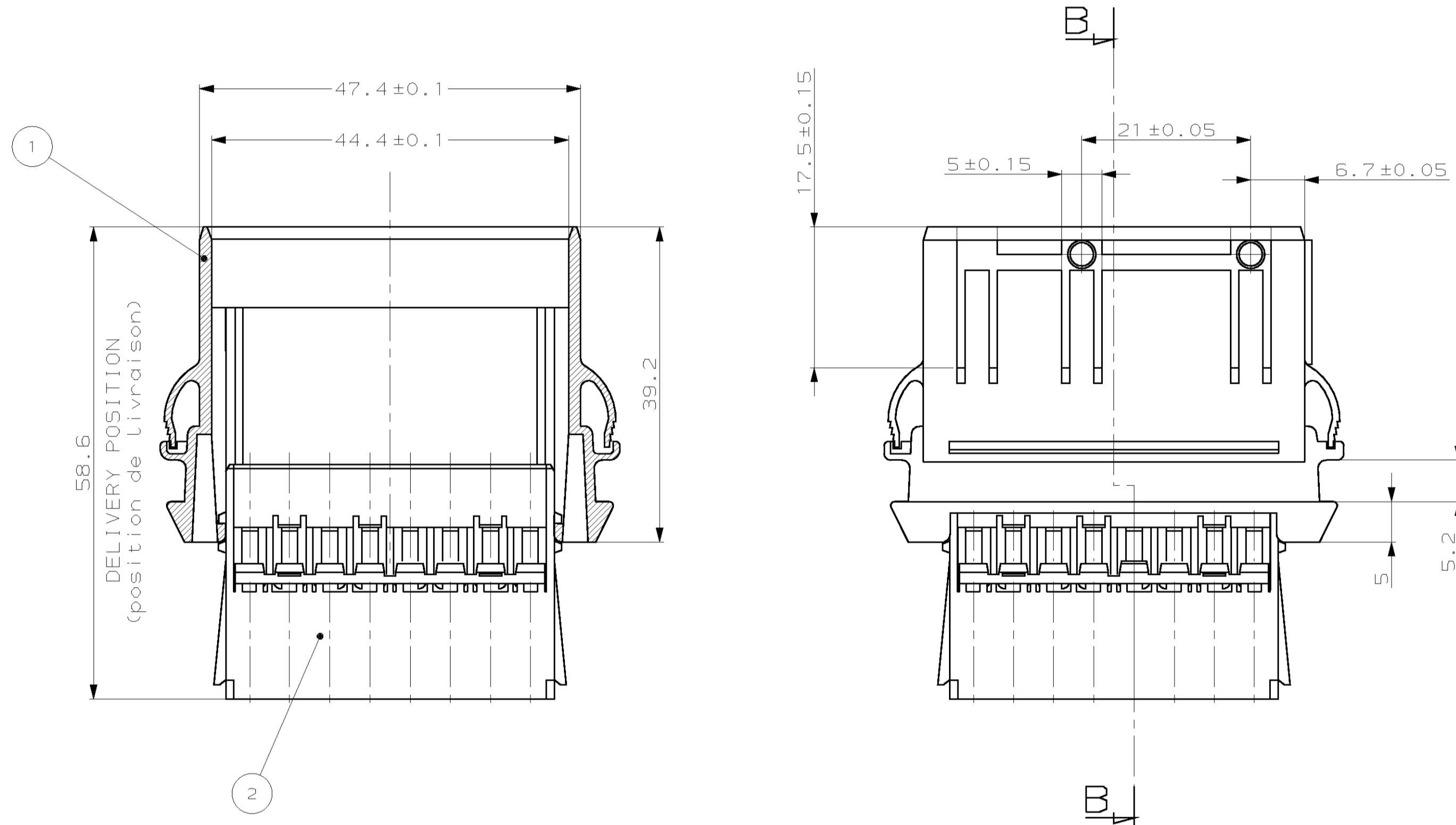


LOC		REV		REVISIONS	
F	00	REV	DESCRIPTION	DATE	APP. DES.
D			CHARNIERE MODIFIEE	05-MAR-03	RP JPP
E			CHARNIERE MODIFIEE	10-OCT-03	RP JPP
F			20.2 P.I. ETAIT 20.2 +/- 0.2	13-JAN-04	RP JPP



SECTION AA



2	1	MODULE	Polyamide 6/6
1	1	MODULE HOLDER (porte module)	PBT (REINFORCED GLASS FIBER) charge de fibre de verre
Rep	Qty	DESIGNATION	MATERIAL (matiere)

THIS DRAWING IS A CONTROLLED DOCUMENT. CE PLAN EST UN DOCUMENT CONTROLE.		DWN/DESINE Reim: PATIN 05-MAR-03	TYCO ELECTRONICS FRANCE SAS BP 39, 95301 CERGY-PONTOISE CEDEX
DIMENSIONS: mm		CHK/VERIFIE JP PICAUD 05-MAR-03	
	TOLERANCES UNLESS OTHERWISE SPECIFIED, (SUPLY NB. DE DECIMALES):	APPROUVE J. DAHER 05-MAR-03	DATE 05-MAR-03
	0.15 B ± 0.1 0.15 B ± 0.1 0.15 B ± 0.1 0.15 B ± 0.1 0.15 B ± 0.1	PRODUCT SPEC. SPEC. PRODUIT	15 WAY MODULE FOR JPT TAB ASSY
MATERIAL MATIERE	FINISH FINITION	APPLICATION SPEC. SPEC. APPLICATION	SIZE: A1
		WEIGHT POIDS	CAGE CODE: 00779
		CUSTOMER DRAWING/PLAN CLIENT	DRAWING NO: 185049
		UNIFORMITY POUP. REFERENCE	SCALE: 2:1
			SHEET 1 OF 1