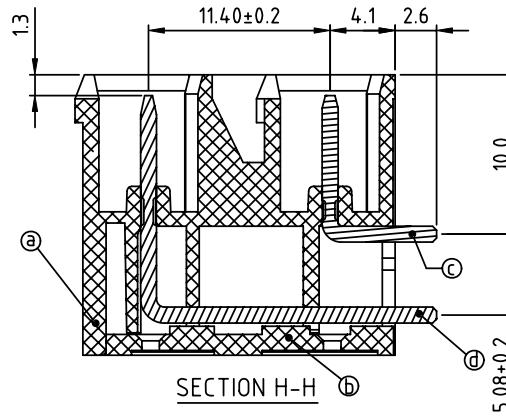


RECOMMENDED P.C.B LAYOUT
TOP VIEW



SECTION H-H

Material:

- Item①Terminal(housing): Thermoplastic (UL94 V-0)
- Item②Terminal(cover): Thermoplastic (UL94 V-0)
- Item③Short pin: Copper Tin plated
- Item④Long pin: Copper Tin plated

Electrical:

- Voltage rating: 300V
- Current rating: 12A
- Withstanding Voltage: 1.6KV
- Operating temperature: -40°C to +115°C
- Soldering temperature: 260°C±5°C/5 Sec
- Safety Approval: cULus

PART NO.: KE xx 5 1 x 3 00J0 G

N=Number of poles Dim C=(N/2-1)×5.08+5.48
Dim L=N/2×5.08+2.72 Dim D=(N/2-1)×5.08+5.48
Dim P=(N/2-1)×5.08 Dim E=(N/2-1)×5.08

Poles	Dim L	Dim P	Dim C	Dim D	Dim E
2×2P-2×6P	±0.15	±0.15	+0.05 -0.05	+0.05 -0.05	±0.15
2×7P-2×12P	±0.25	±0.25	+0.10 -0.05	+0.10 -0.05	±0.25
2×13P-2×18P	±0.35	±0.35	+0.20 -0.05	+0.20 -0.05	±0.35
2×19P-2×24P	±0.40	±0.40	+0.25 -0.10	+0.25 -0.10	±0.40

Solid block	No. of poles	Color	RoHS compliant (lead<4%) In copper Alloy
0	2	Black (RAL9005)	
2	3	Red (RAL3001/D)	
3	4	Orange(RAL2011/P)	
4	5	Yellow(RAL1018/A)	
5	6	Green(RAL6018/T)	
6	8	Blue (RAL5015/A)	
8	9	Grey(RAL7035/D)	
9	9	White(RAL1102)	
C		Green(RAL6018/U)	

mat'l. code				surface ASME Y14.5	tolerance ASME Y14.5	projection	product family
ltr	ecn	no	dr	date	tolerances unless otherwise specified	MM	TERMINAL BLOCK
					angles X°±1°	scale	title TERMINAL BLOCK
					dr	EVIN ZHONG 042414	PLUGGABLE SOCKET,CLOSE RIGHT ANGLE
					enrg	EVIN ZHONG 042414	dwg no
					chr	HANKE FENG 042414	sheet 1 of 1
					appd	SHI JUN 042414	size A4
sheet index	revision	A					type CUSTOMER Drawing
	sheet	1					