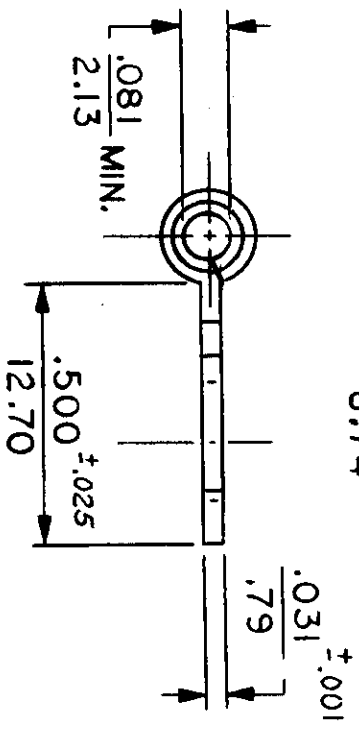
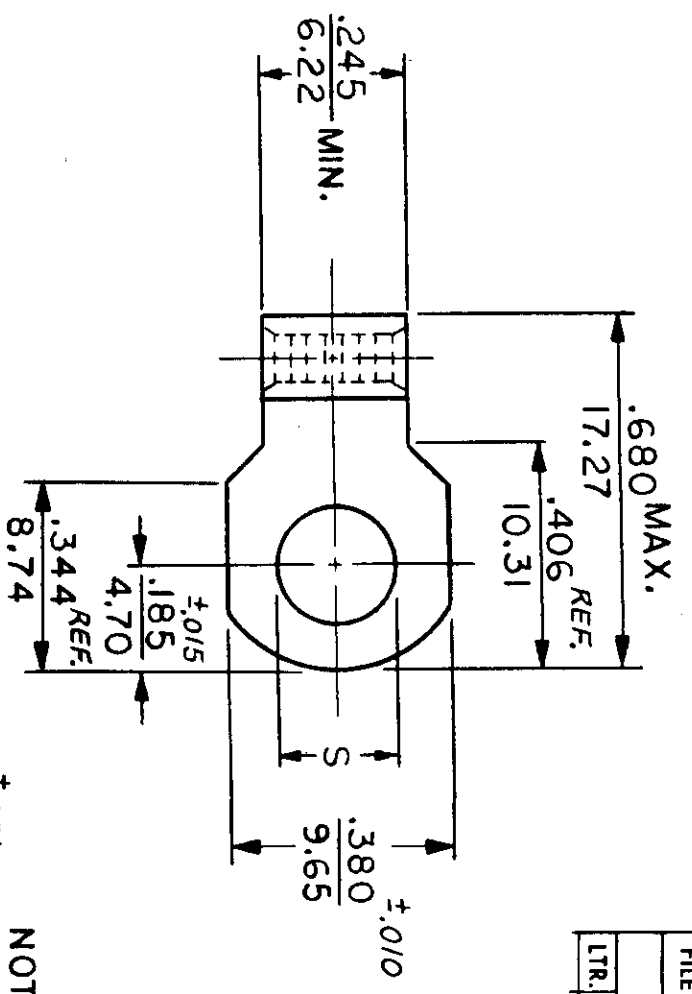


FILE NO.	B - CD - 107 - 01		
REVISIONS			
LTR.	D.C.N. NO. OR CHANGE	BY	DATE



NOTES:
 ① MAT'L: COPPER
 PLATING: ELECTRO-TIN
 (.0003 MIN.)

WIRE SIZE: 16-14 AWG
 1.0-2.5 MM²

PART NO.	STUD SIZE	±.005 "S"
B-143-06	6	.146
B-143-08	8	.173
B-143-10	10	.198

DIMENSIONAL TOLERANCES UNLESS OTHERWISE SPECIFIED	REFERENCE	SCALE: NONE	DATE
FRAC.	DEC.	ANG.	
±	±	±	
DRWN. BY: 4/0	CHKD. BY: GZ	APPRD. BY:	10-24-84

TITLE:
 FLAG RING
 TONGUE TERMINAL
 KRIMP TITE

ETC mox
 INCORPORATED

DWG. NO. **A** CUSTOMER DWG.