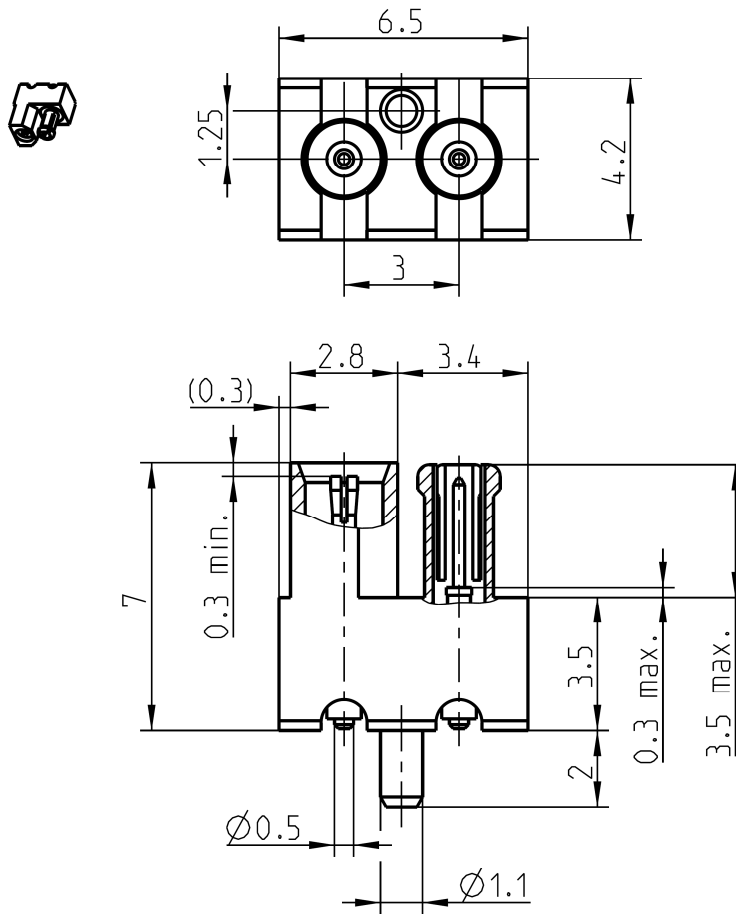


Insert  
Mini-Coax

2 Channel Block Straight

**23C14F-40ML5**



All dimensions are in mm; tolerances according to ISO 2768 m-H

**Interface**

According to

Rosenberger Mini-Coax

**Documents**

PCB-Layout

B 501A

**Material and plating**

**Connector parts**

- Center contact
- Outer contact male
- Outer contact female
- Body
- Dielectric

**Material**

- CuBe or equiv.
- CuBe
- Brass
- Brass
- PTFE

**Plating**

- AuroDur®, gold plated
- AuroDur®, gold plated
- AuroDur®, gold plated
- Gold, 0.2 µm min.

Dieses Dokument ist urheberrechtlich geschützt • This document is protected by copyright • Rosenberger Hochfrequenztechnik GmbH & Co. KG

RF\_35/08.13/6.1

Insert  
Mini-Coax

2 Channel Block Straight

**23C14F-40ML5**

**Electrical data**

Impedance	50 Ω
Frequency	DC to 40 GHz
Return loss	≥ 25 dB @ DC to 3 GHz ≥ 20 dB @ 3 GHz to 6 GHz ≥ 16 dB @ 6 GHz to 20 GHz ≥ 12 dB @ 20 GHz to 40 GHz
Insertion loss	≤ 0.04 x √f [GHz] dB
Insulation resistance	≥ 1GΩ
Center contact resistance	≤ 10 mΩ
Outer contact resistance	≤ 3 mΩ
Test voltage (at sea level)	750 V rms
Working voltage (at sea level)	500 V rms
RF-leakage	≥ 80 dB @ DC to 1 GHz ≥ 60 dB @ 1 GHz to 4 GHz

- Connector only, VSWR in application depends decisive on PCB layout -

**Mechanical data**

Mating cycles	≥ 500
Engagement force	max. 15 N typical 10 N
Extraction force	max. 15 N typical 10 N

**Environmental data**

Temperature range	-40 °C to +125 °C
Climatic category	IEC 60068-2-1 40/85/21
Dry heat	IEC 60068-2-2
Damp heat	IEC 60068-2-78
Shock	IEC 60068-2-27 (50g halfsinus, 2 shocks/axis during 11 sec.)
Max. soldering temperature	IEC 61760-1, +260 °C for 10 sec.
RoHS	compliant

**Tooling**

N/A

**Suitable cables**

N/A

**Weight**

0.90 g/pce

While the information has been carefully compiled to the best of our knowledge, nothing is intended as representation or warranty on our part and no statement herein shall be construed as recommendation to infringe existing patents. In the effort to improve our products, we reserve the right to make changes judged to be necessary.

Draft	Date	Approved	Date	Rev.	Engineering change number	Name	Date
Martin Moder	28/08/15	Herbert Babinger	02/05/15	a00	16-s143	M.Ruf	02/05/16
Rosenberger Hochfrequenztechnik GmbH & Co. KG P.O.Box 1260 D-84526 Tittmoning Germany <a href="http://www.rosenberger.de">www.rosenberger.de</a>						Tel. : +49 8684 18-0 Email : <a href="mailto:info@rosenberger.de">info@rosenberger.de</a>	
							Page 2 / 2