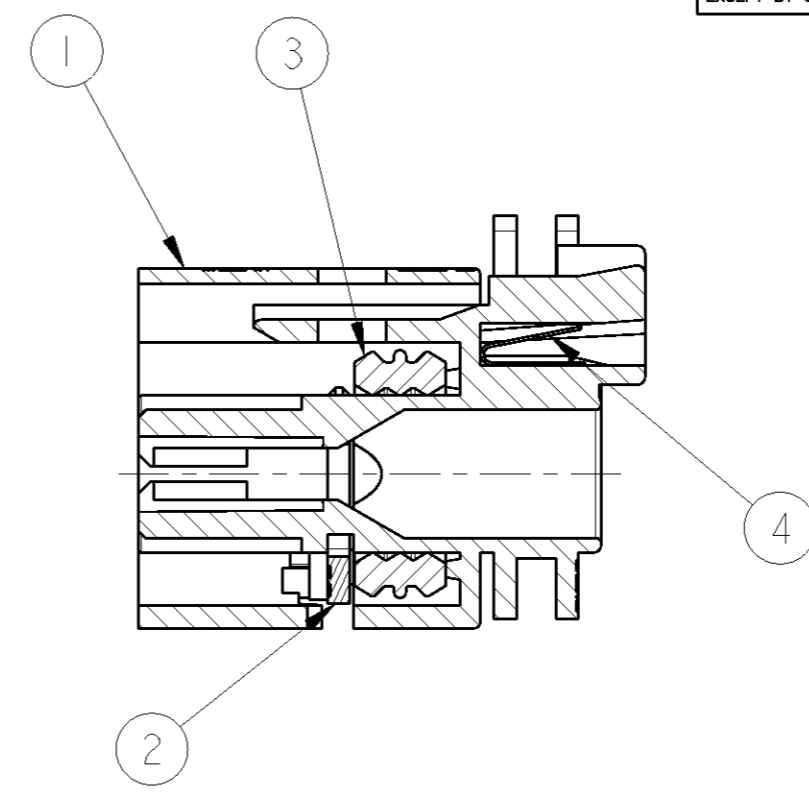
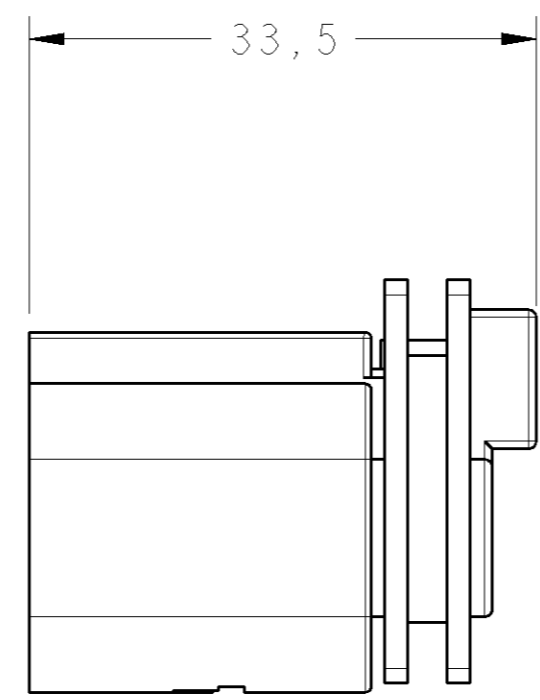
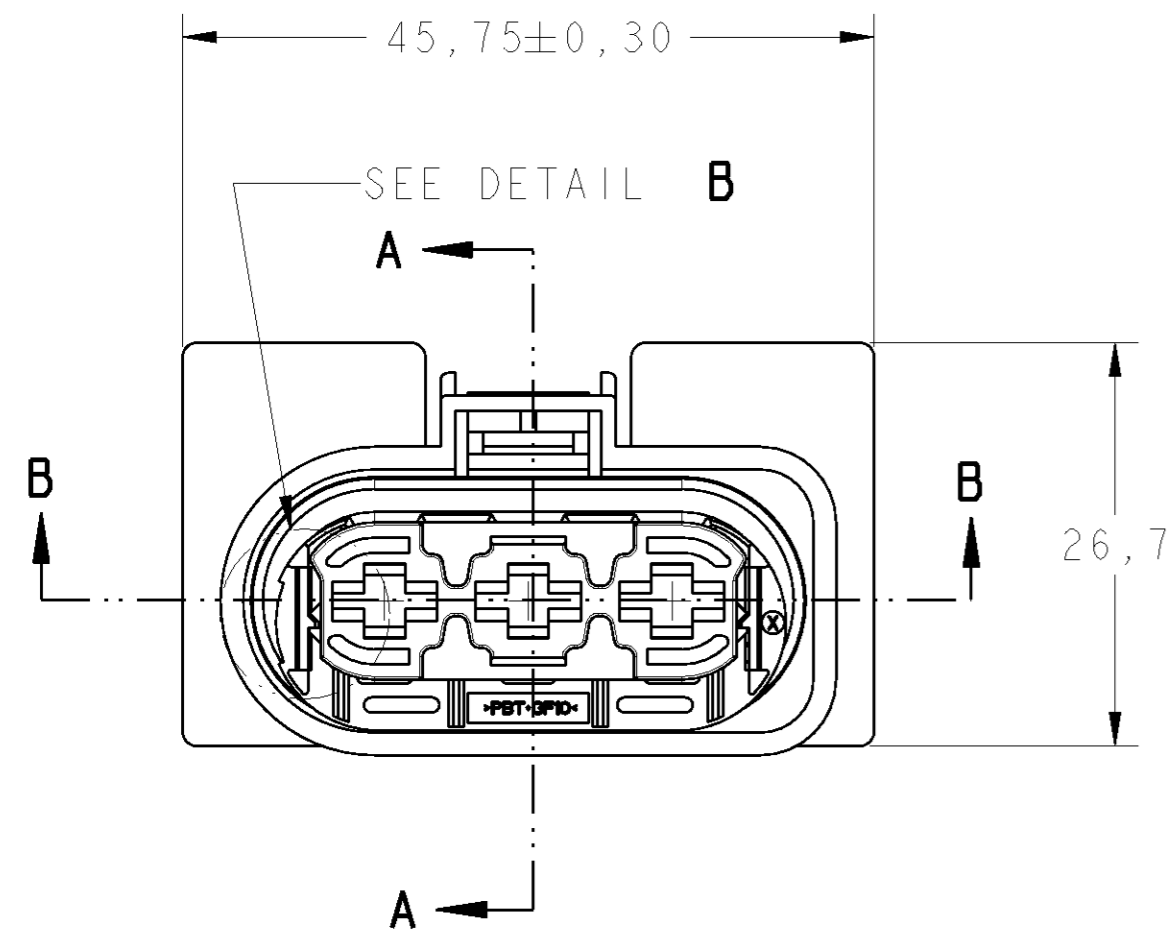
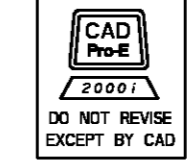


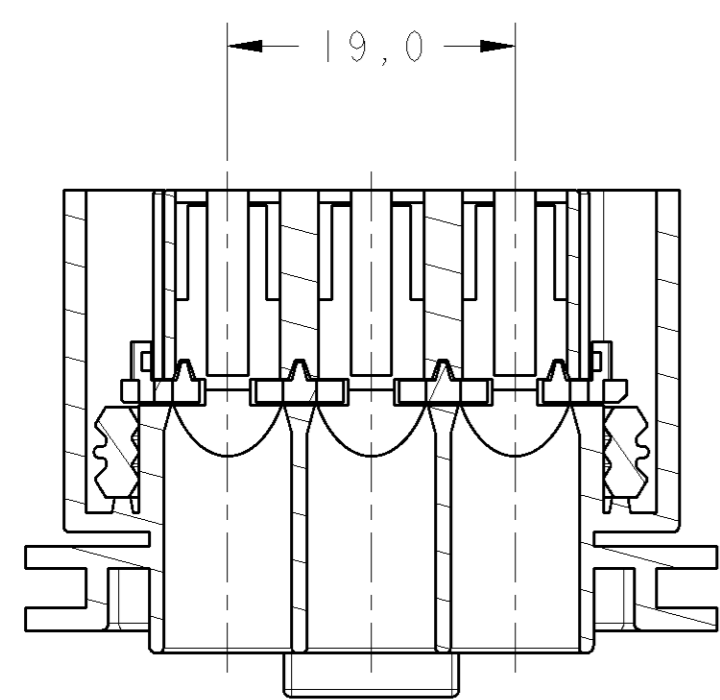
THIS DRAWING IS UNPUBLISHED. RELEASED FOR PUBLICATION 10  
 © COPYRIGHT 10 BY TYCO ELECTRONICS CORPORATION. ALL RIGHTS RESERVED.

LOC		DIST		REVISIONS			
P	LTR	DESCRIPTION	DATE	DWN	APVD		
AP	-	A	RELEASED BY RSA10/001-69	12MAY2010	EL	CGM	

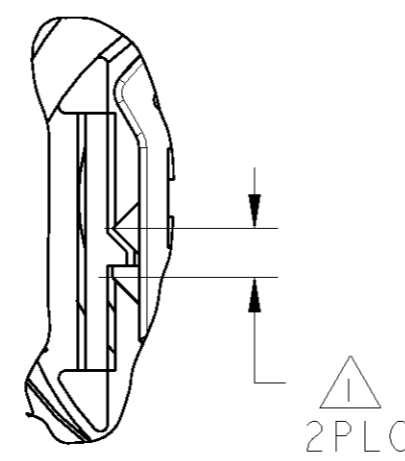


SECTION A-A

GRAVAÇÕES	MARKINGS
LOGOTIPO TE	TE LOGO
CÓDIGO PAÍS PRODUTOR	MANUFACTURER COUNTRY CODE
NOMENCLATURA MATERIAL	MATERIAL NOMENCLATURE
NÚMERO COMPONENTE TE	TE COMPONENT NUMBER
NÚMERO CAVIDADE	CAVITY NUMBER
IDENTIFICAÇÃO CIRCUITO	CIRCUIT IDENTIFICATION
PAÍS PRODUTOR	MANUFACTURER COUNTRY
REV+ LETRA REV.DA PEÇA	REV.+ PART REV.LETTER



SECTION B-B



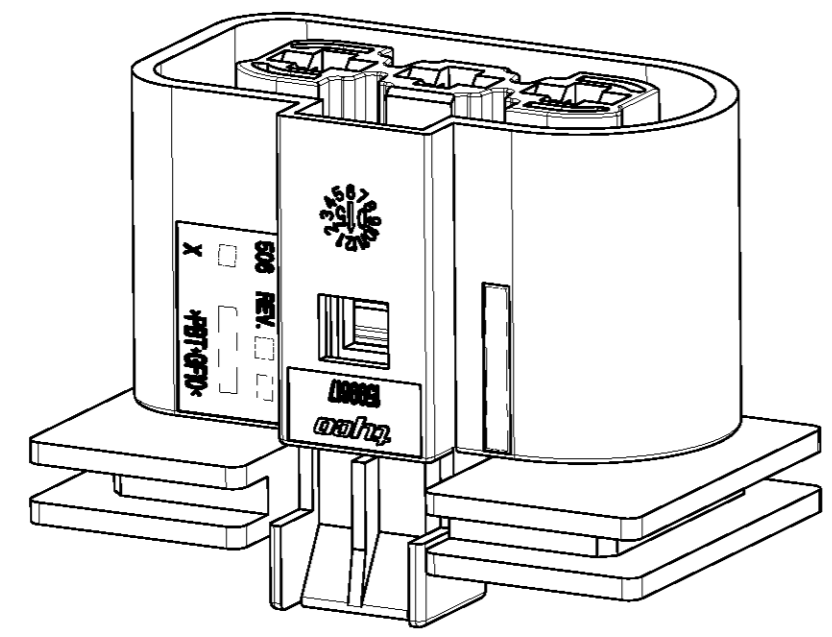
DETAIL B  
SCALE 5:1

1 - FORNECIDO COMO MOSTRADO NA POSIÇÃO DE PRE-TRAVAMENTO;

2 - EMBALADO A GRANEL

1 - SHOW AS SUPPLIED, RETAINER IN PRE-LOCKED;

2 - BULK PACKAGED.



PERSPECTIVE VIEW  
SCALE 2:1

REQ. PER ASSY	ITEM	DESCRIPTION	MATERIAL	FINISH
1	4	SPRING	X 12 CrNi 177	—
1	3	CONNECTOR SEAL, 3 POSN, STD P TIMER	SILICONE	LARANJA/ORANGE
1	2	SPACER, 3 POSN, STD P TIMER, RCPT	PBT+10%GF	VIOLETA/VIOLET
1	1	HOUSING, 3 POSN, STD P TIMER, RCPT	PBT+10%GF	PRETO/BLACK

THIS DRAWING IS A CONTROLLED DOCUMENT FOR TYCO ELECTRONICS CORPORATION IT IS SUBJECT TO CHANGE AND THE CONTROLLING ENGINEERING ORGANIZATION SHOULD BE CONTACTED FOR THE LATEST REVISION.		DWN E. LOPES 12MAY2010 CHK J. R. GOLDSCHMIDT 12MAY2010 APVD C. G. MARTINS 12MAY2010	<b>Tyco Electronics</b> TYCO ELECTRONICS do Brasil LTDA. Sao Paulo, Brasil
DIMENSIONS: mm 	TOLERANCES UNLESS OTHERWISE SPECIFIED: 0 PLC ± 1 PLC ±0,2 2 PLC ±0,10 3 PLC ± 4 PLC ± ANGLES ±° FINISH	PRODUCT SPEC - APPLICATION SPEC - WEIGHT -	NAME HOUSING, 3 POSN STD POWER TIMER, RCPT SIZE A2 CAGE CODE 00779 DRAWING NO. C-1599616 RESTRICTED TO - SCALE 2:1 SHEET 1 OF 1 REV A
SEE TABLE	SEE TABLE	CUSTOMER DRAWING	