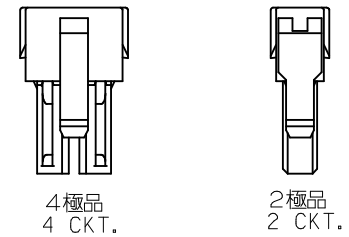
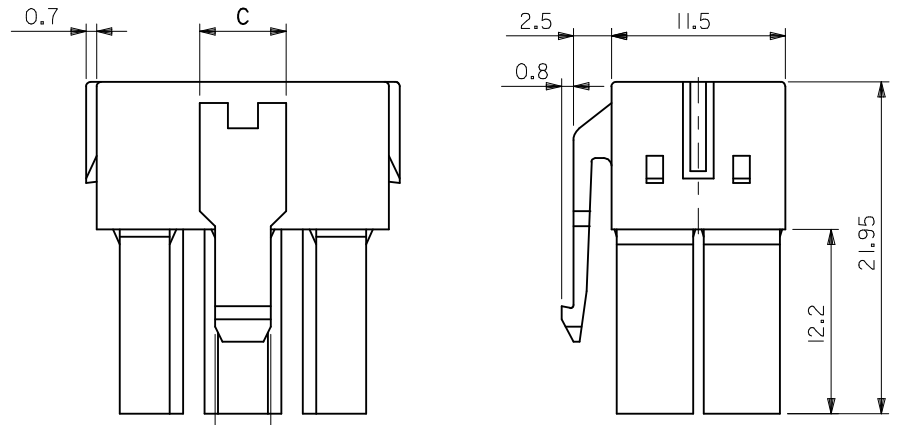


ターミナル及びリテーナー装着状態図
TERMINAL & RETAINER ASSEMBLY DRAWING



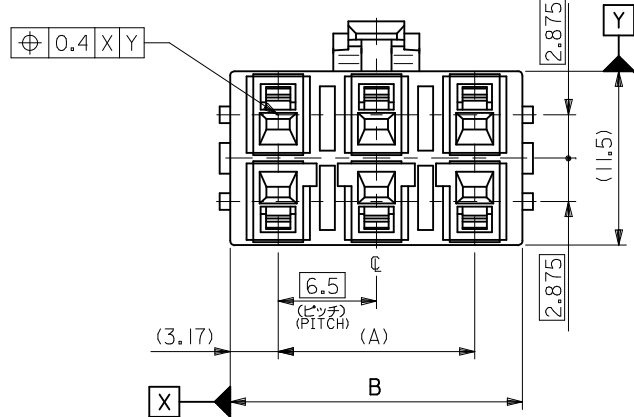
ロック形状図
LOCK CONFIGURATION



注記
NOTES

- 適合ターミナル : 50597, 50598
APPLICABLE TERMINAL : 50597 , 50598
- 適合リテーナー : 51143
APPLICABLE RETAINER : 51143
- 嵌合相手 : 53721,53728 シリーズ
MATE WITH : 53721,53728 SERIES
- MATERIAL
ポリエステル(PBT), UL94V-0
POLYESTER(PBT), UL94V-0
- ELV AND RoHS COMPLIANT.
- オーダー番号 ORDER NO.
51142-****
極数 色
CIRCUIT SIZE COLOR
7.ナチュラル色は51142-**00です。
NATURAL COLOR IS 51142-**00.

HSG COLOR	NO.
BLACK	11
RED	12
YELLOW	13
BLUE	14
GRAY	15
GREEN	16
ORANGE	18
PINK	19
BROWN	21
PURPLE	22
MINT	23



5.7	19.34	13	51142-06**	6
3.7	12.84	6.5	51142-04**	4
5.7	6.34	—	51142-02**	2
C	B	A	ENG. NO.	極数 CKT.

REVISED EC NO.: J2014-0511 DRWN:MIKEDA01 2013/09/19 CHKD:KASAKAWA 2013/10/07 APPR:NUKITA 2013/10/08	DESCRIPTION	GENERAL TOLERANCES (UNLESS SPECIFIED)		DIMENSION STYLE MM ONLY		SCALE ---	DESIGN UNITS METRIC	THIRD ANGLE PROJECTION	
		10 UNDER	±0.2	DRAWN BY TKON	DATE 2010/07/27	TITLE 6.5 WIRE TO BOARD CONN. RECEPTACLE HOUSING			
10 OVER 30 UNDER	±0.25	CHECKED BY KASAKAWA	DATE 2010/07/27						
30 OVER	±0.3	APPROVED BY NUKITA	DATE 2010/08/30						
ANGULAR ±1 °		MATERIAL NO.		DOCUMENT NO. SD-51142-001					
DRAFT WHERE APPLICABLE MUST REMAIN WITHIN DIMENSIONS		SIZE A3	THIS DRAWING CONTAINS INFORMATION THAT IS PROPRIETARY TO MOLEX INCORPORATED AND SHOULD NOT BE USED WITHOUT WRITTEN PERMISSION						