

6

5

4

3

2

1

E

E

D

D

C

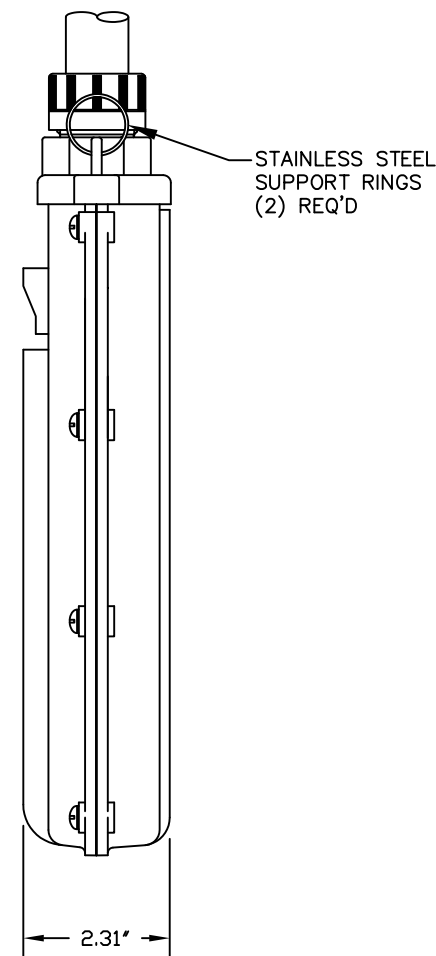
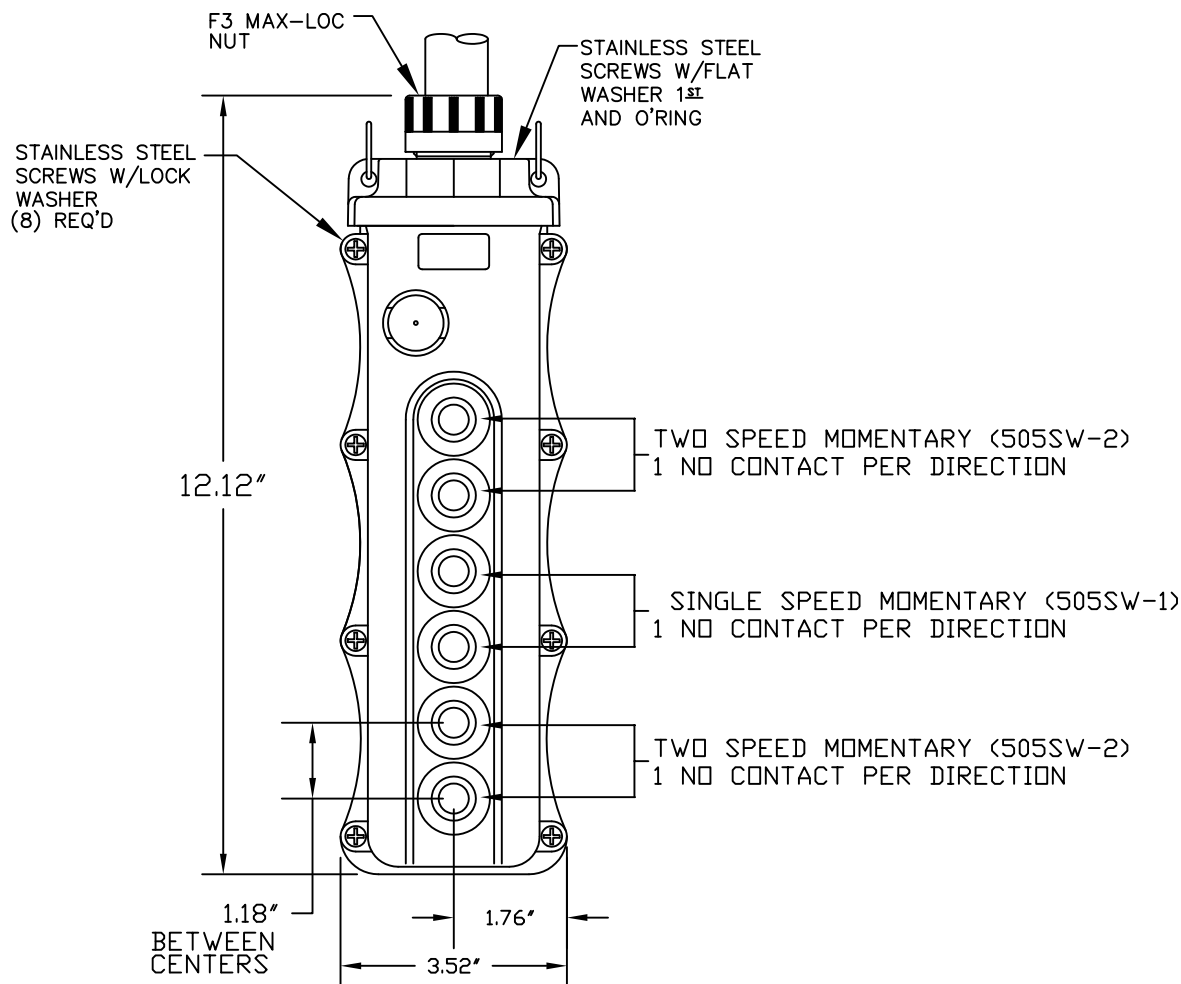
C

B

B

A

A



NOTES:

1. INSTALLATION INSTRUCTIONS, BUTTON ID. LABELS. ARE PACK WITH THE PART.
2. ALL BUTTONS ARE HIGH AMBIENT, CHEMICALLY RESISTANT MATERIAL - COLOR BLACK

RELEASE DRAWING EC NO: WNA2010-0602 DRWN: TVICKERS 2010/03/26 CHKD: DWILLIA APPR: DTTITUS 2010/07/02	DESCRIPTION REV	QUALITY SYMBOLS $\nabla=0$ $\nabla C=0$	GENERAL TOLERANCES (UNLESS SPECIFIED)			DIMENSION STYLE IN/MM		SCALE NTS	DESIGN UNITS INCH	THIRD ANGLE PROJECTION	
				mm	INCH	DRAWN BY TVICKERS	DATE 2010/03/26	TITLE 6 POS PENDANT W/505SW-2 (2)505SW-1			
			4 PLACES	±---	±---	CHECKED BY HK	DATE 2010/03/26	MOLEX INCORPORATED DOCUMENT NO. SD-130126-039 SHEET NO. 1 OF 1			
			3 PLACES	±---	±.005	APPROVED BY DTTITUS	DATE 2010/07/01				
2 PLACES	±0.13	±.010	MATERIAL NO. 1301260325								
1 PLACE	±0.25	±.020	ANGULAR ±.5°								
DRAFT WHERE APPLICABLE MUST REMAIN WITHIN DIMENSIONS			SIZE A		THIS DRAWING CONTAINS INFORMATION THAT IS PROPRIETARY TO MOLEX INCORPORATED AND SHOULD NOT BE USED WITHOUT WRITTEN PERMISSION						

6

5

4

3

2

1