

SPRING-LOADED CONNECTORS

SERIES 830 • 2mm GRID FLAT & CONCAVE FACE TARGET CONNECTORS FOR SPRING-LOADED ASSEMBLIES • SINGLE ROW STRIPS

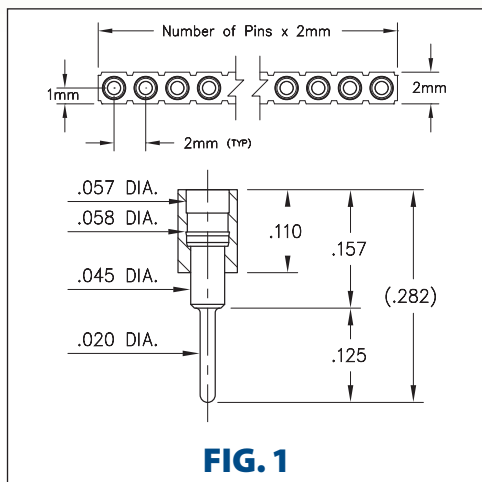


FIG. 1

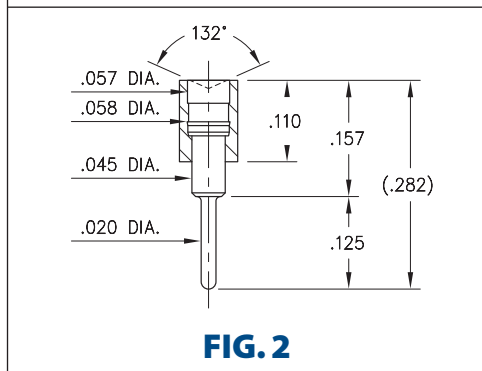


FIG. 2

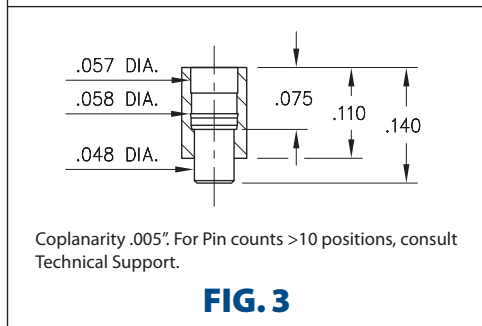


FIG. 3

Coplanarity .005". For Pin counts >10 positions, consult Technical Support.

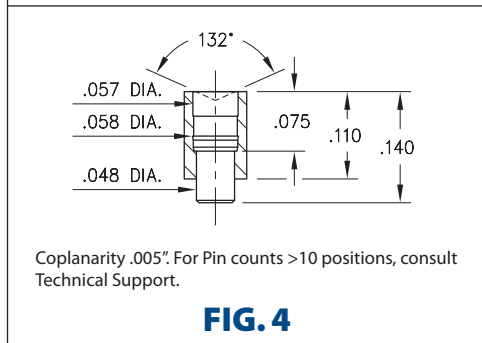
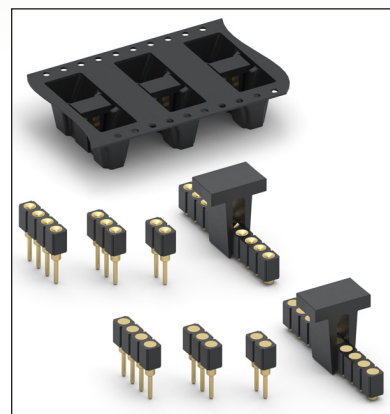




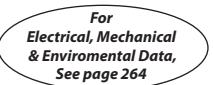

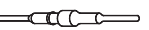
FIG. 4

Coplanarity .005". For Pin counts >10 positions, consult Technical Support.

- Series 830 2mm Spring Target Connectors, supplied in single row strips
- Target connectors provide an excellent gold-plated conductive path back to the board-mounted spring pin connector. Available in both through-hole and SMT terminations with the choice of either flat or concave face contact surfaces. Concave face targets provide additional surface area for mating with our standard .032" diameter plungers
- Target connectors use MM #1949, #1950, #1951, and #1952 pins. See page 223.1 for details
- Insulators are high temperature thermoplastic



ORDERING INFORMATION

FIG. 1	Series 830...003 Flat face / Solder Tails
	830-10-0__-10-003000 Specify number of pins 01-20
FIG. 2	Series 830...004 Concave face / Solder Tails
	830-10-0__-10-004000 Specify number of pins 01-20
FIG. 3	Series 830...30-003 Flat face / Surface Mount
	830-10-0__-30-003XXX Specify number or pins 02-10 Tube packaged = 000 Tape & reel packaged = 191 400 parts per 13" reel
FIG. 4	Series 830...30-004 Concave face / Surface Mount
	830-10-0__-30-004XXX Specify number or pins 02-10 Tube packaged = 000 Tape & reel packaged = 191 400 parts per 13" reel
  	
SPECIFY PLATING CODE XX=	10 
Pin Plating 	10 μ" Au