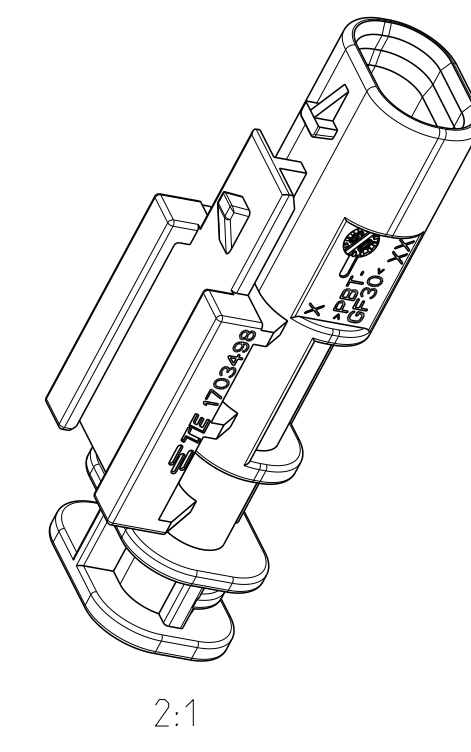
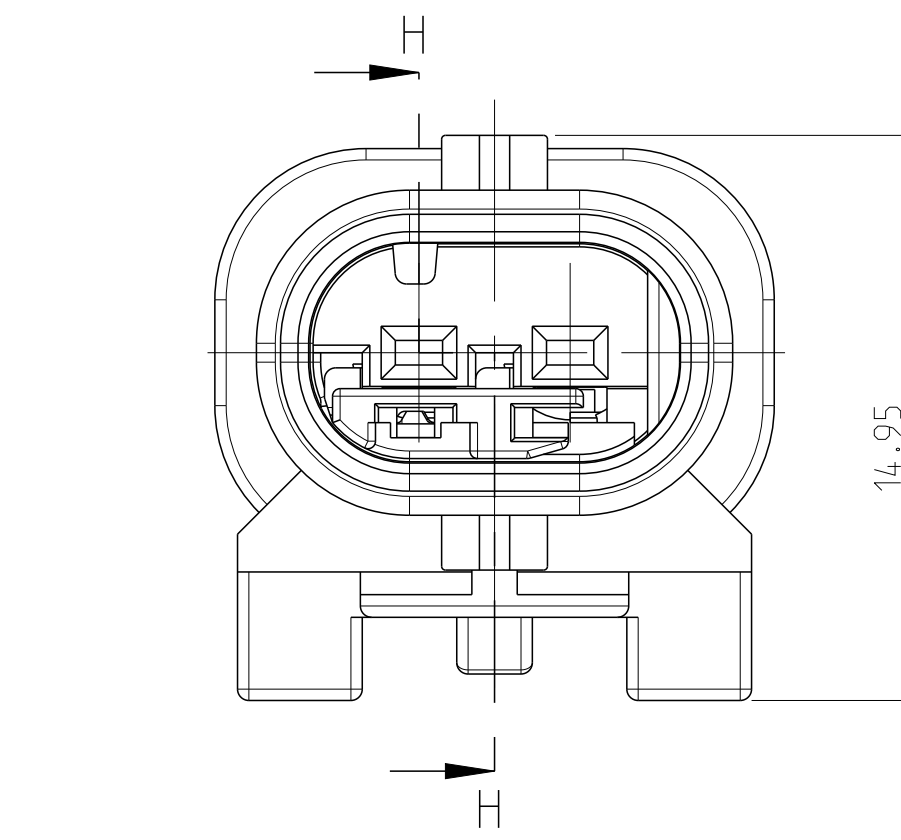
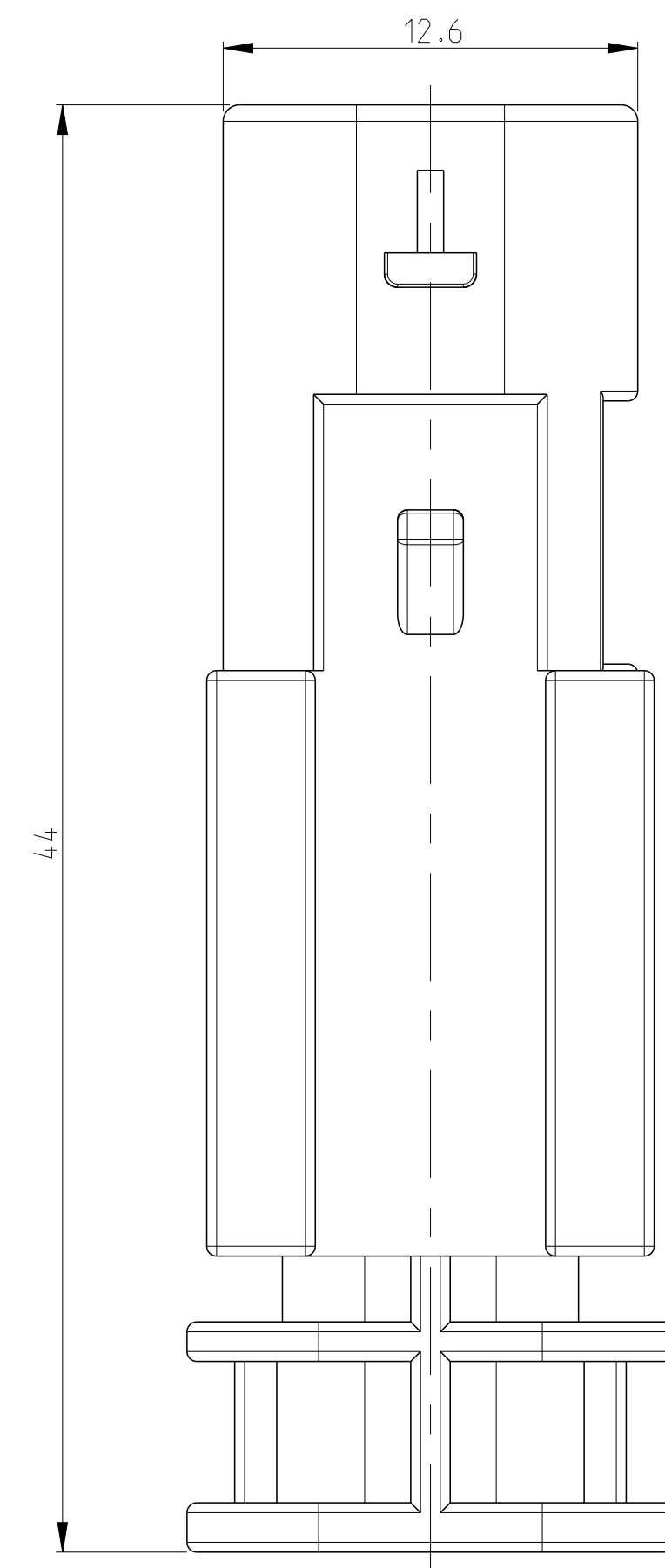
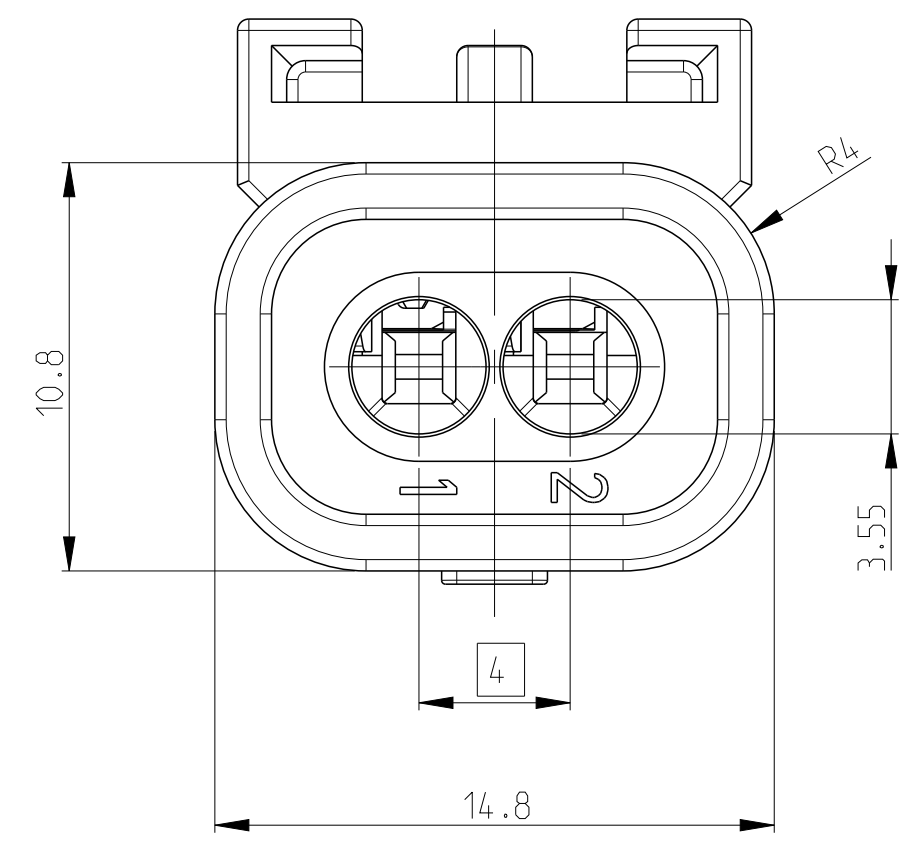
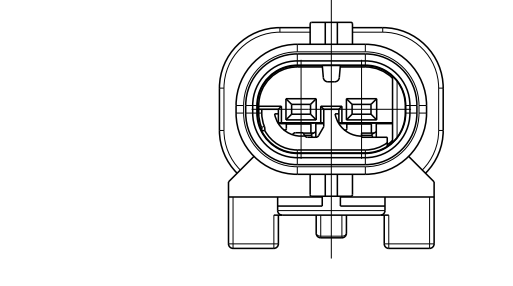


# SHOWN 1-1703498-1

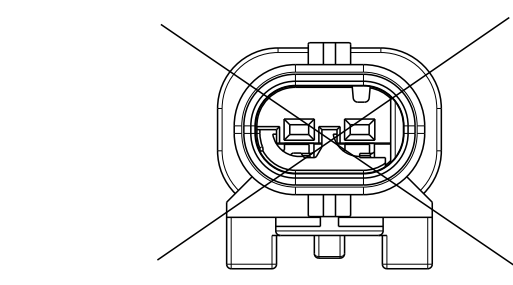


2:1

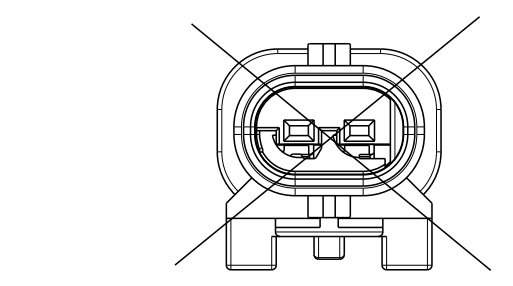
A 1-1703498-1



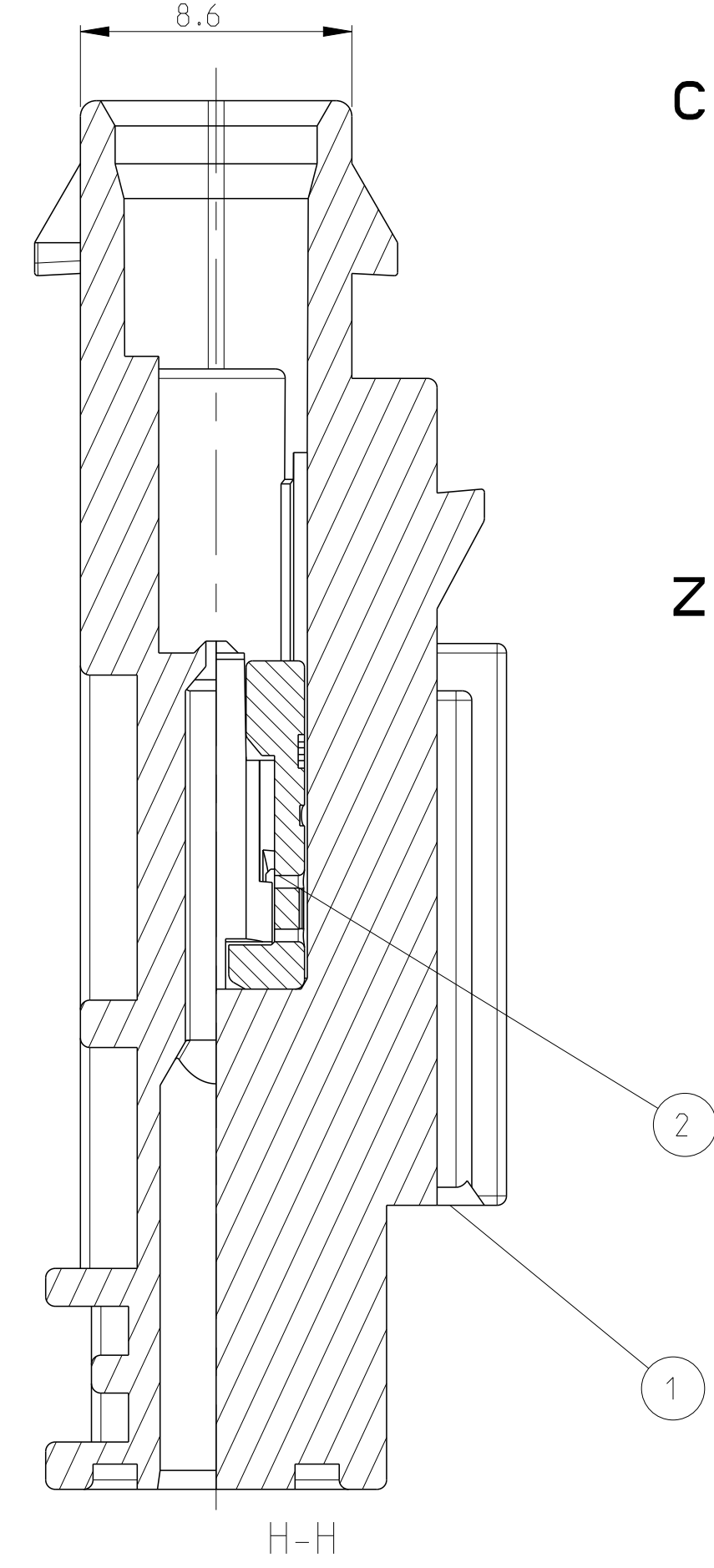
B 2-1703498-1



C 3-1703498-1



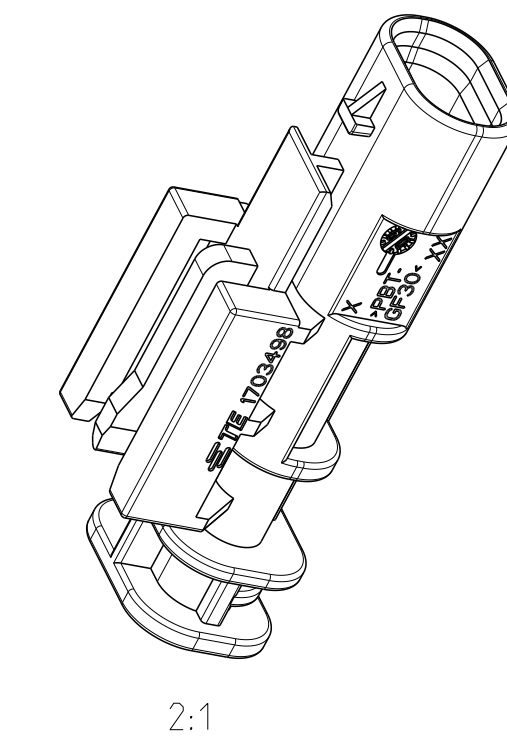
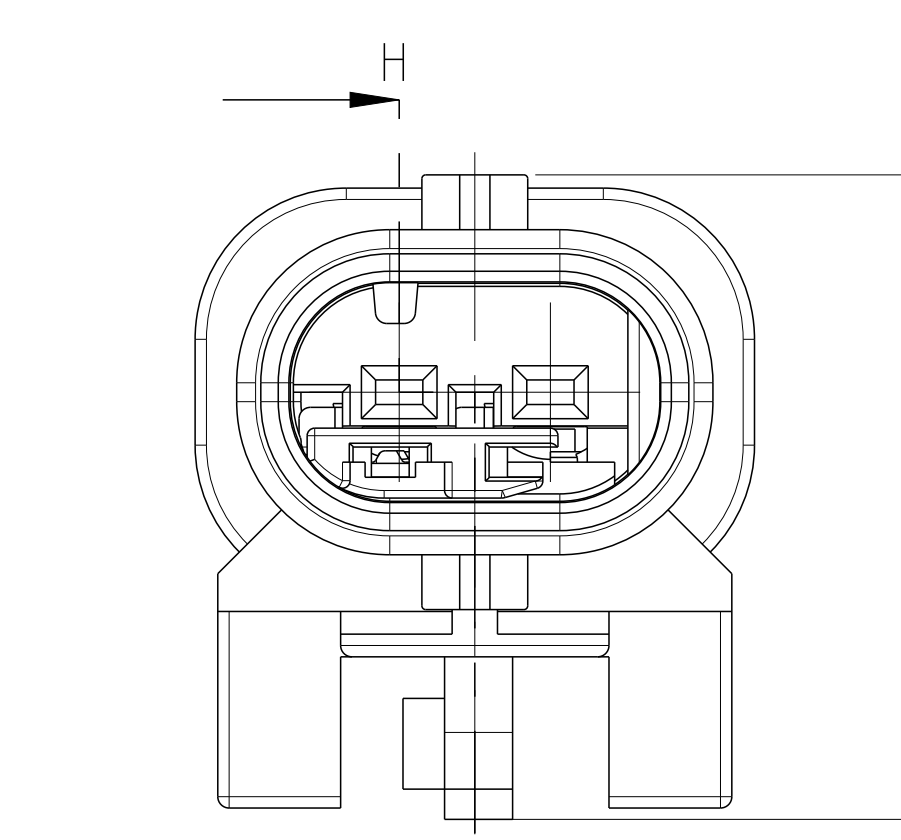
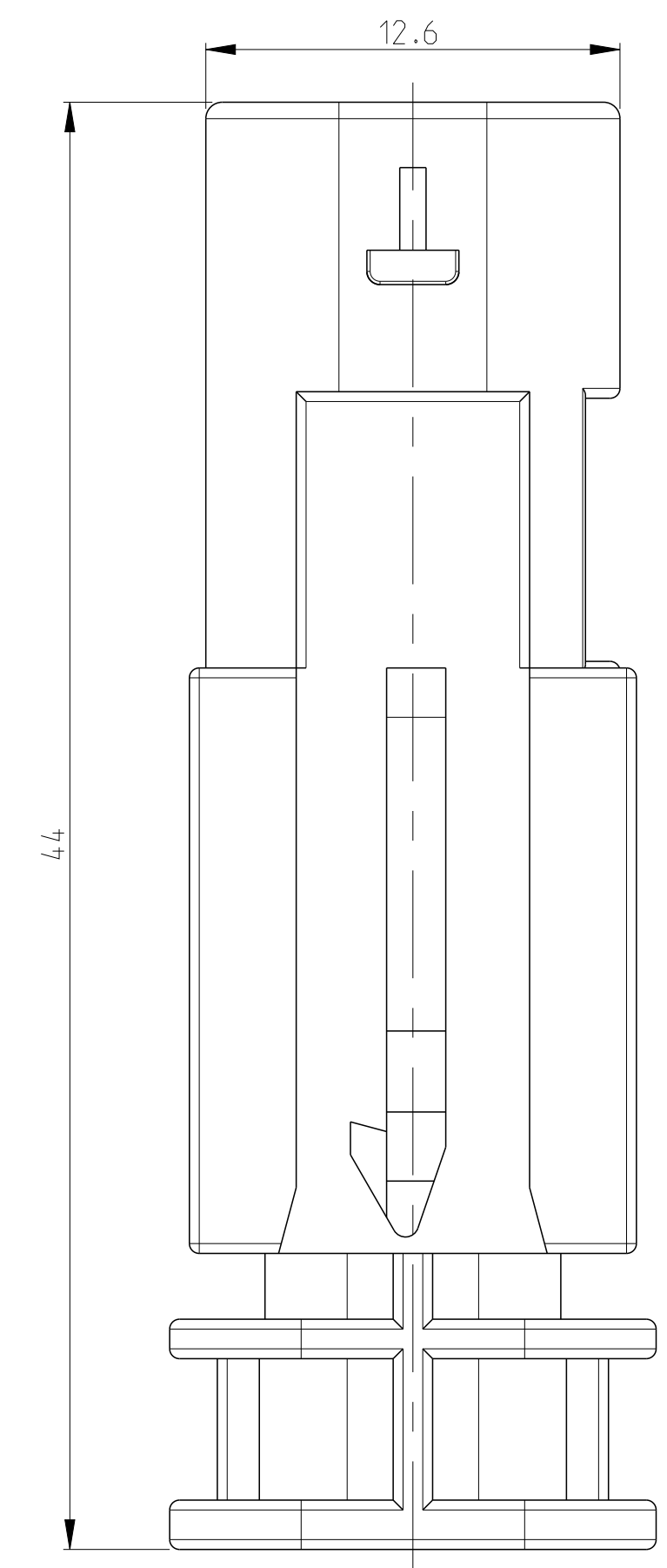
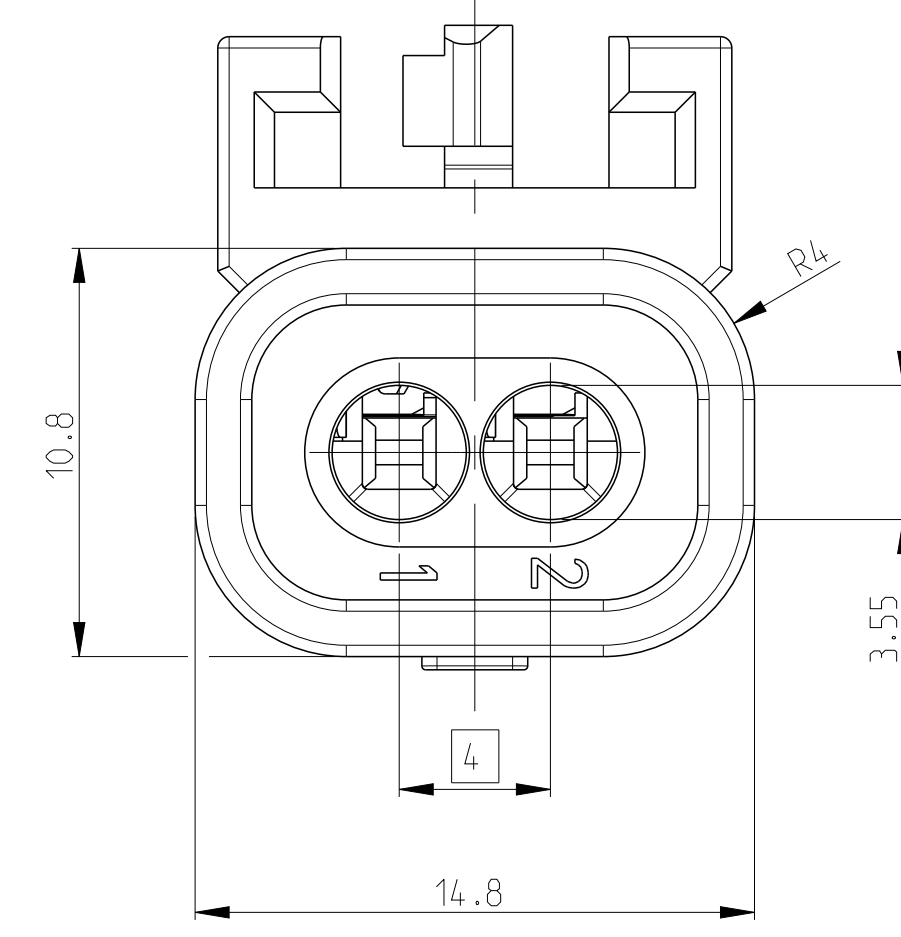
Z 4-1703498-1



H-H

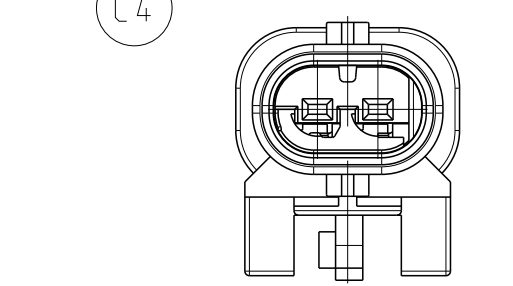
CODINGS  
2:1

# SHOWN 1-1703498-2

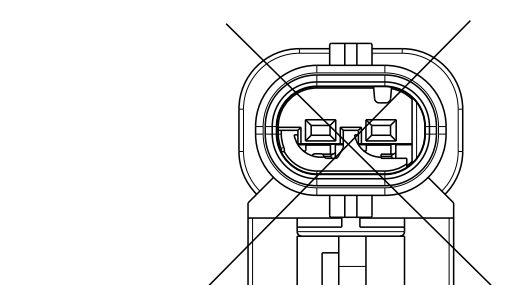


2:1

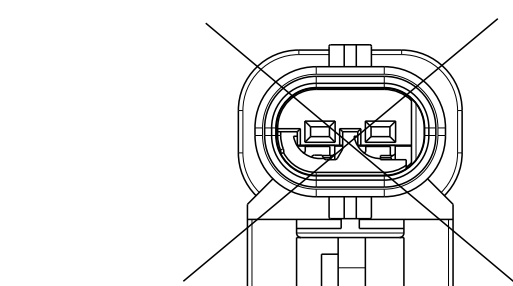
A 1-1703498-2  
1-1703498-5 (VW)



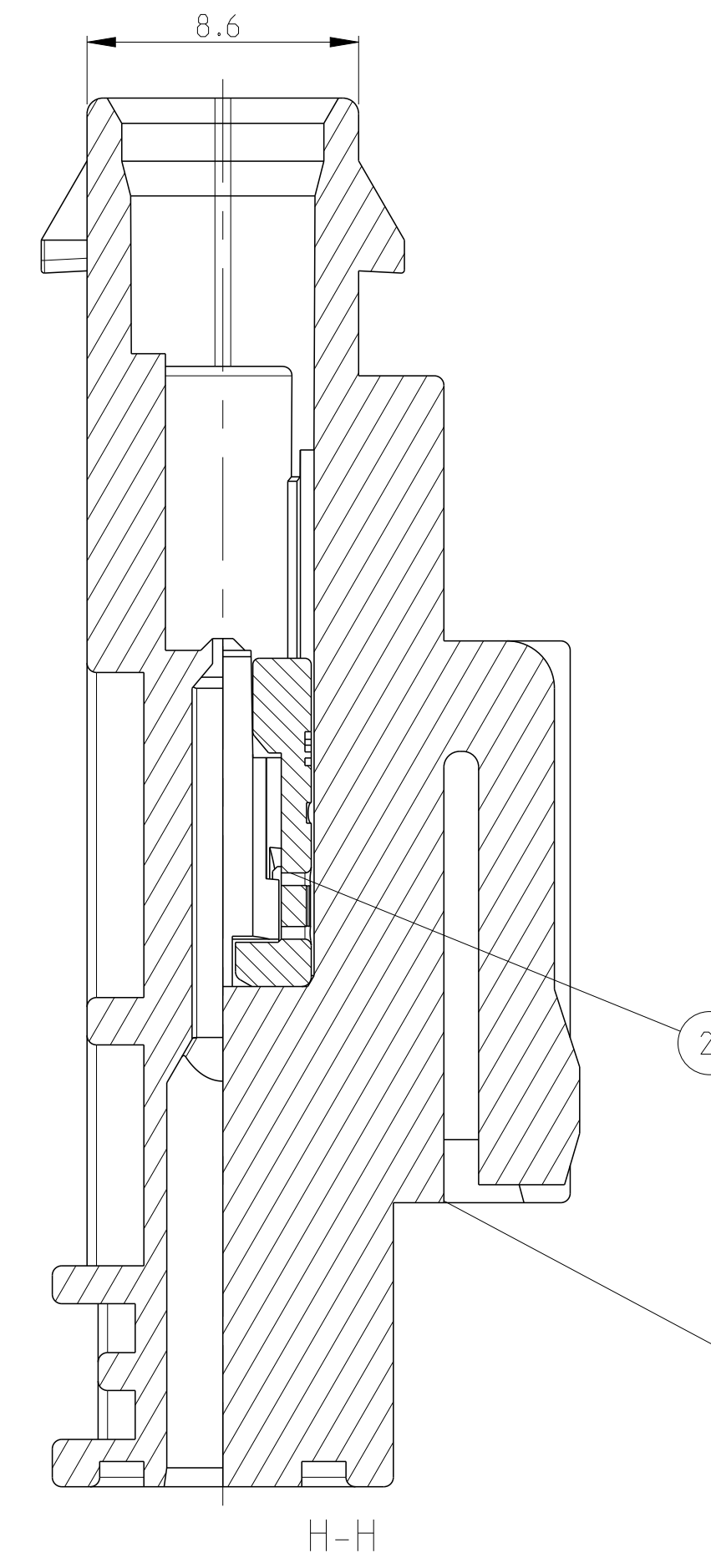
B 2-1703498-2



C 3-1703498-2



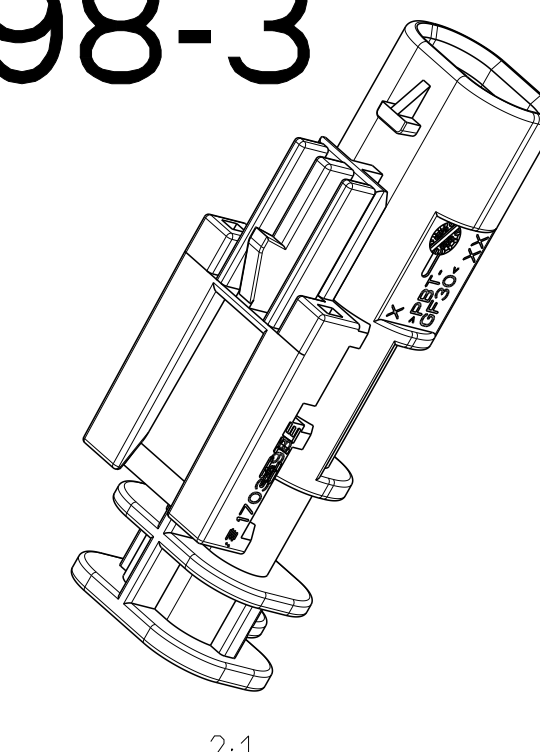
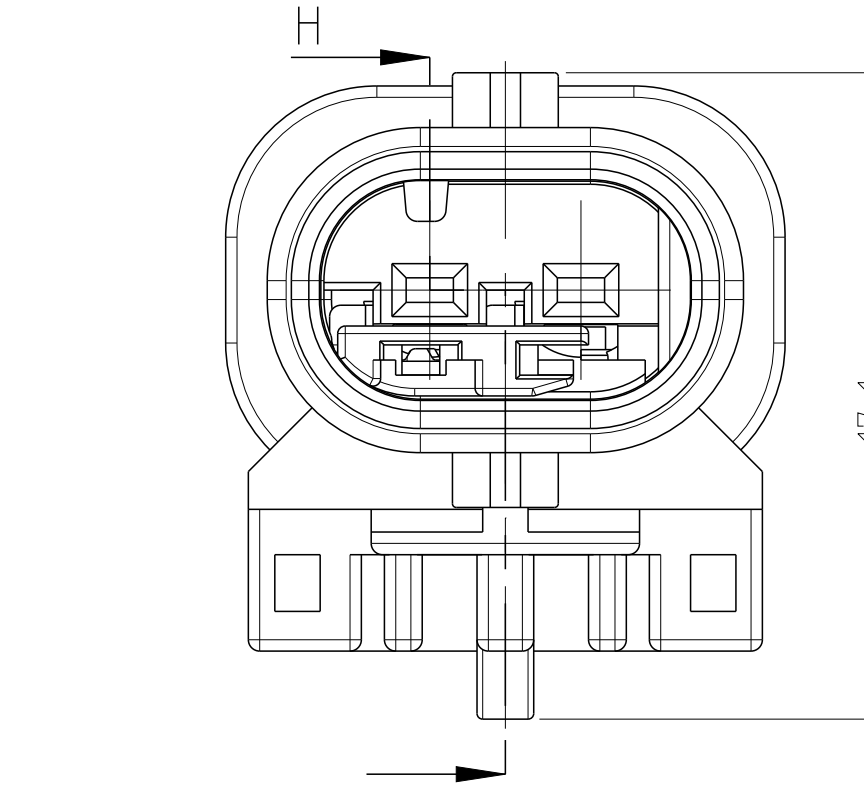
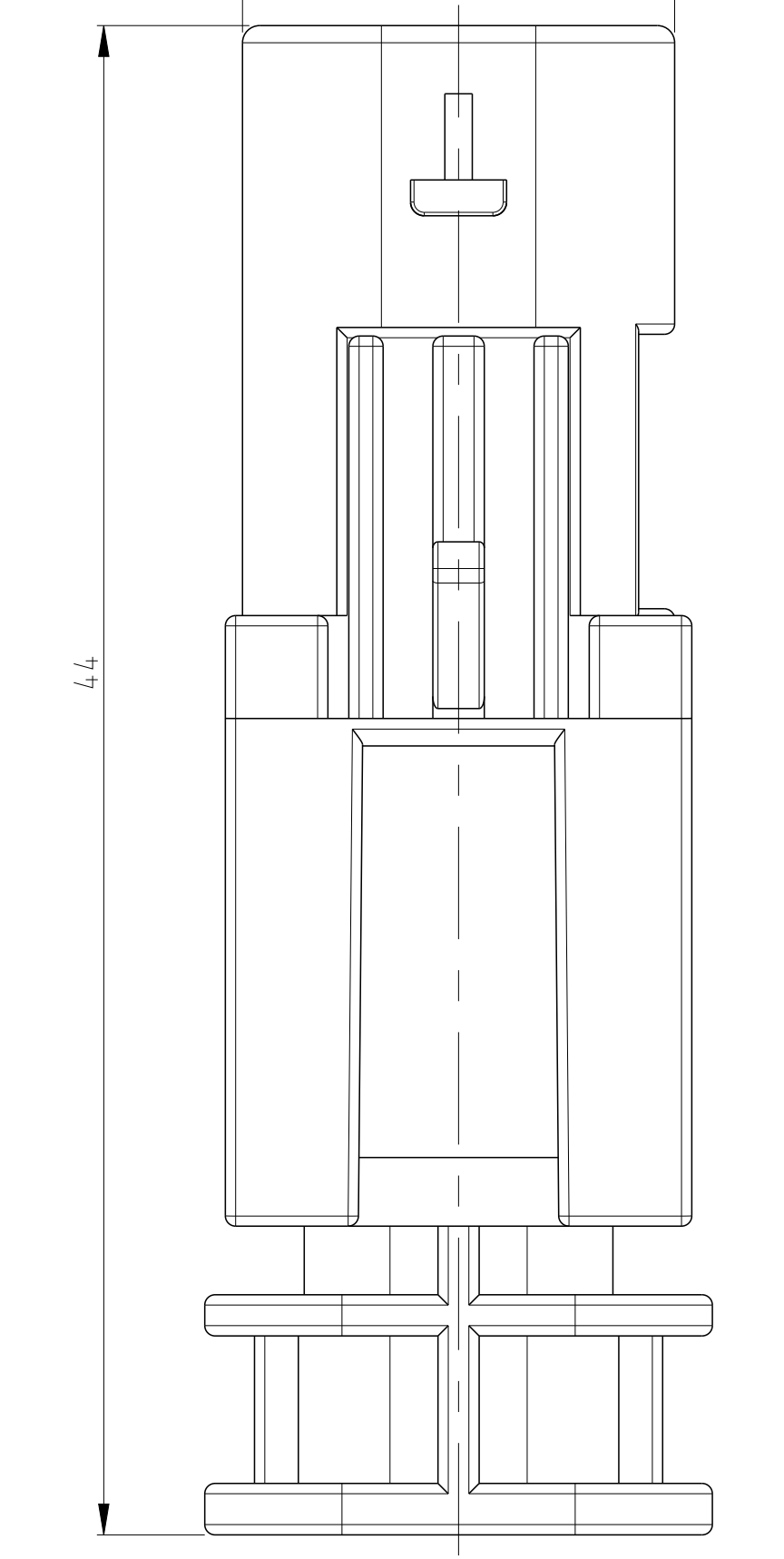
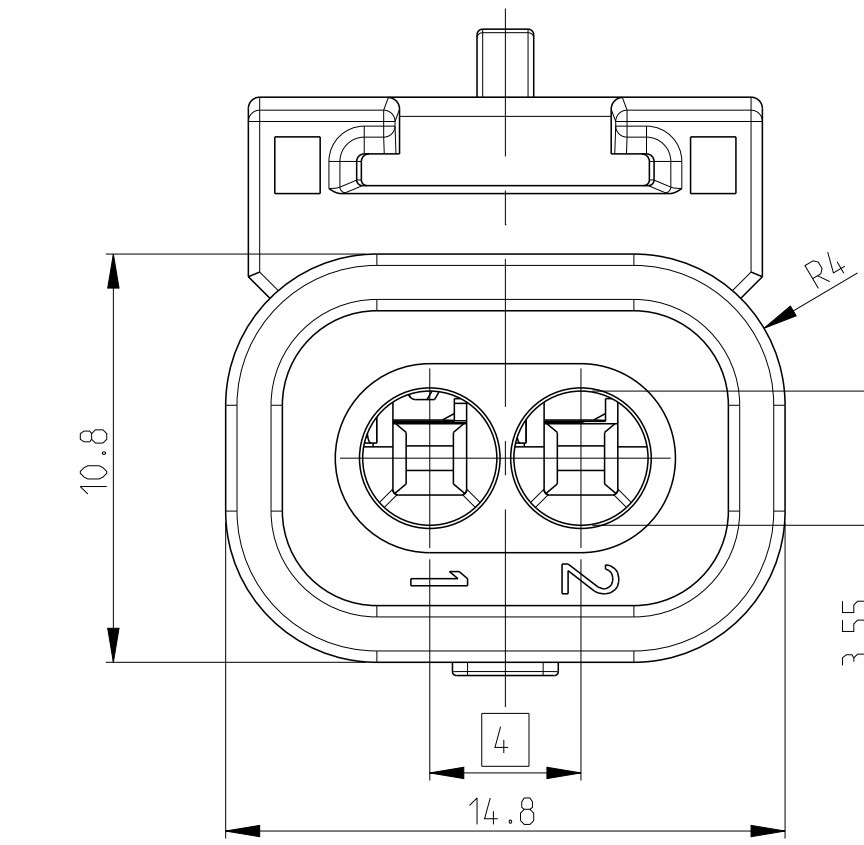
Z 4-1703498-2



H-H

CODINGS  
2:1

# SHOWN 1-1703498-3



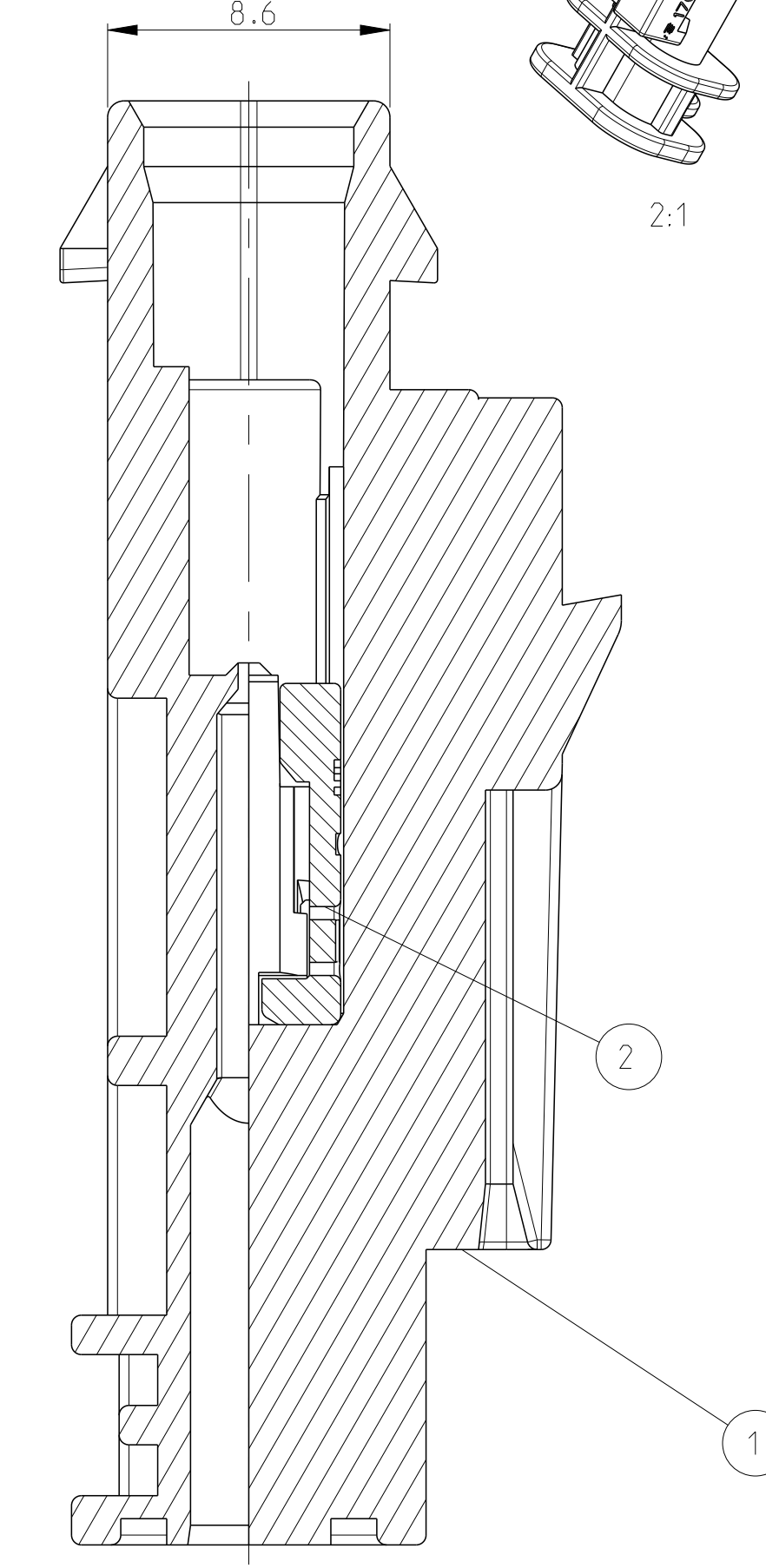
2:1

A 1-1703498-3 (BLACK)  
1-1703498-4 (YELLOW)

B 2-1703498-3 (GREY) (C6)  
2-1703498-4 (YELLOW)

C 3-1703498-3

Z 4-1703498-3



H-H

REV	DATE	BY	CHK	APPD
C3	28APR01		SK	HR
C4	25SEP01		MT	HR
C5	19MAR02		MT	HR
C6	06APR02		LSZ	RT

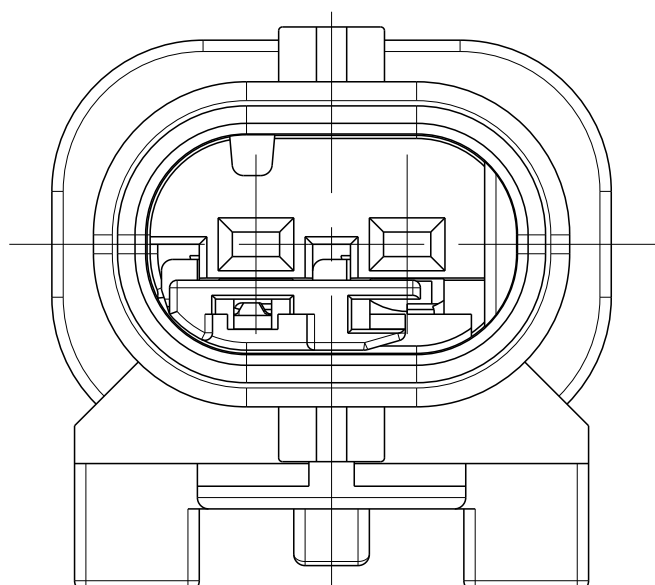
TE SUITABLE FEMALE HSG. PASSENDE BUCHSENGEH.	ASSY REV.	TE Bestell-Nr. ORDER-NO.	CODE	Benennung TITLE	QTY	Benennung Einzelteil TITLE	Werkstoff MATERIAL	Oberflaeche/Farbe SURFACE/CLOUR	Pos. ITEM
		2-1703498-4	B	Stiftgehaeuse 2pol. MALE HOUSING 2POS.	1	Kontaktsicherung RETAINER	PA66-GF35	violett/VIOLET	2
		1-1703498-4	A	Stiftgehaeuse 2pol. MALE HOUSING 2POS.	1	Stiftgehaeuse MALE HOUSING	PBT-GF30	gelb/YELLOW	1b
		1-1703498-4	A	Stiftgehaeuse 2pol. MALE HOUSING 2POS.	1	Kontaktsicherung RETAINER	PA66-GF35	violett/VIOLET	2
		1-1703498-4	A	Stiftgehaeuse 2pol. MALE HOUSING 2POS.	1	Stiftgehaeuse MALE HOUSING	PBT-GF30	gelb/YELLOW	1a
		4-1703498-3	Z	Stiftgehaeuse 2pol. MALE HOUSING 2POS.	1	Kontaktsicherung RETAINER	PA66-GF35	violett/VIOLET	2
		4-1703498-3	Z	Stiftgehaeuse 2pol. MALE HOUSING 2POS.	1	Kontaktsicherung RETAINER	PA66-GF35	schwarz/BLACK	1z
		3-1703498-3	C	Stiftgehaeuse 2pol. MALE HOUSING 2POS.	1	Kontaktsicherung RETAINER	PA66-GF35	violett/VIOLET	2
		3-1703498-3	C	Stiftgehaeuse 2pol. MALE HOUSING 2POS.	1	Stiftgehaeuse MALE HOUSING	PBT-GF30	schwarz/BLACK	1c
		2-1703498-3	B	Stiftgehaeuse 2pol. MALE HOUSING 2POS.	1	Kontaktsicherung RETAINER	PA66-GF35	violett/VIOLET	2
		2-1703498-3	B	Stiftgehaeuse 2pol. MALE HOUSING 2POS.	1	Stiftgehaeuse MALE HOUSING	PBT-GF30	grau/GREY	1b
		1-1703498-3	A	Stiftgehaeuse 2pol. MALE HOUSING 2POS.	1	Kontaktsicherung RETAINER	PA66-GF35	violett/VIOLET	2
		1-1703498-3	A	Stiftgehaeuse 2pol. MALE HOUSING 2POS.	1	Stiftgehaeuse MALE HOUSING	PBT-GF30	schwarz/BLACK	1a

TE SUITABLE FEMALE HSG. PASSENDE BUCHSENGEH.	ASSY REV.	TE Bestell-Nr. ORDER-NO.	CODE	Benennung TITLE	QTY	Benennung Einzelteil TITLE	Werkstoff MATERIAL	Oberflaeche/Farbe SURFACE/CLOUR	Pos. ITEM
		1-1703498-5	A	Stiftgehaeuse 2pol. MALE HOUSING 2POS.	1	Kontaktsicherung RETAINER	PA66-GF35	violett/VIOLET	2
		1-1703498-5	A	Stiftgehaeuse 2pol. MALE HOUSING 2POS.	1	Stiftgehaeuse MALE HOUSING	PBT-GF30	schwarz/BLACK	1a
		4-1703498-2	Z	Stiftgehaeuse 2pol. MALE HOUSING 2POS.	1	Kontaktsicherung RETAINER	PA66-GF35	violett/VIOLET	2
		4-1703498-2	Z	Stiftgehaeuse 2pol. MALE HOUSING 2POS.	1	Stiftgehaeuse MALE HOUSING	PBT-GF30	schwarz/BLACK	1z
		3-1703498-2	C	Stiftgehaeuse 2pol. MALE HOUSING 2POS.	1	Kontaktsicherung RETAINER	PA66-GF35	violett/VIOLET	2
		3-1703498-2	C	Stiftgehaeuse 2pol. MALE HOUSING 2POS.	1	Stiftgehaeuse MALE HOUSING	PBT-GF30	schwarz/BLACK	1c
		2-1703498-2	B	Stiftgehaeuse 2pol. MALE HOUSING 2POS.	1	Kontaktsicherung RETAINER	PA66-GF35	violett/VIOLET	2
		2-1703498-2	B	Stiftgehaeuse 2pol. MALE HOUSING 2POS.	1	Stiftgehaeuse MALE HOUSING	PBT-GF30	grau/GREY	1b
		1-1703498-2	A	Stiftgehaeuse 2pol. MALE HOUSING 2POS.	1	Kontaktsicherung RETAINER	PA66-GF35	violett/VIOLET	2
		1-1703498-2	A	Stiftgehaeuse 2pol. MALE HOUSING 2POS.	1	Stiftgehaeuse MALE HOUSING	PBT-GF30	schwarz/BLACK	1a

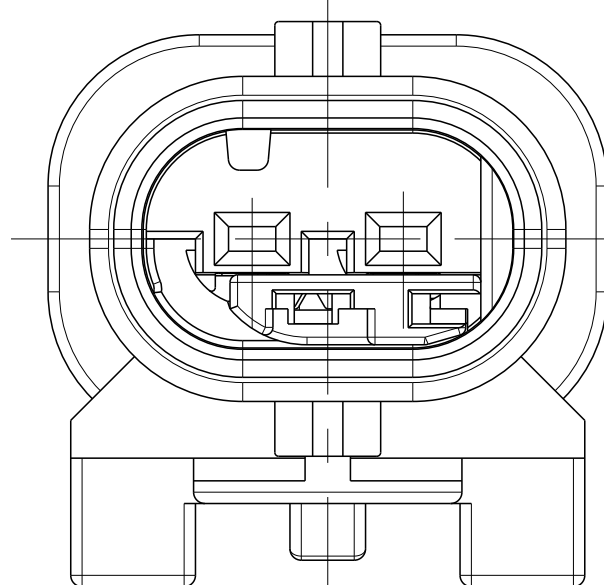
TE-PN TERMINALS	WIRE RANGE	TE-PN SINGLE WIRE SEAL	TE-PN BLIND PLUG
214868	0.08 - 0.22mm <sup>2</sup>	967067-2	967056-1
1718758	0.25 - 0.35mm <sup>2</sup>	967067-2	
1718760	0.5 - 0.75mm <sup>2</sup>	967067-1	
1718762	1mm <sup>2</sup>	967067-1	

TERMINAL TE-APPLICATION SPEC.: 114-18464

RETAINER IN PRE LOCKED POSITION  
2. Kontaktsicherung in Vorraststellung



RETAINER IN FINAL LOCKED POSITION  
2. Kontaktsicherung in Endraststellung



RETAINER MOVING DIRECTION  
2. Kontaktsicherung Verschiebeweg

REGRIND MAX. 25%

THIS DRAWING IS A CONTROLLED DOCUMENT.		DATE: 19JUN2007	BY: A LOECSER	CHK: H. RIBBER
DIMENSIONS: DIM: 10.8, 14.8, 3.55, 4, 12.6, 4.4, 17.1, 8.6, 17.05, 14.95		SCALE: 1:1	PRODUCT SPEC: 108-94.177	APPLICATION SPEC: 114-18910-1
MATERIAL: PBT-GF30, PA66-GF35		WEIGHT: 4.48g	SIZE: 14-18910-1	RESTRICTION: A
CUSTOMER DRAWING		SCALE: 5:1	SHEET: 1 OF 1	REV: C6