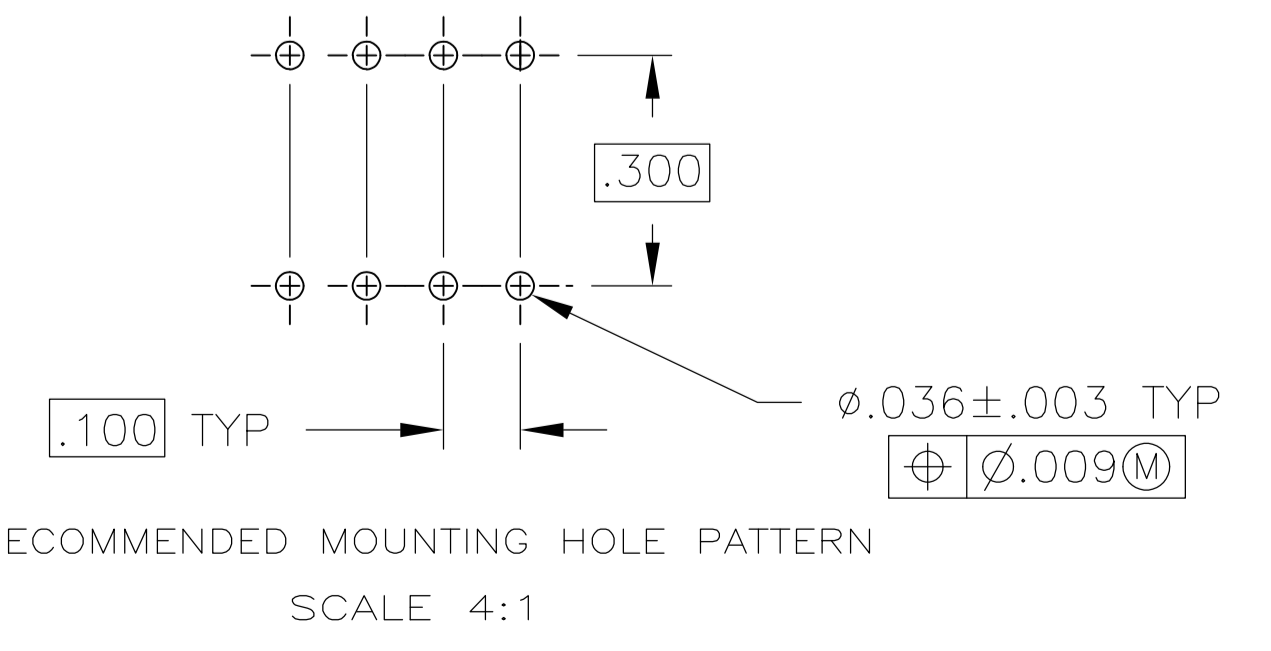
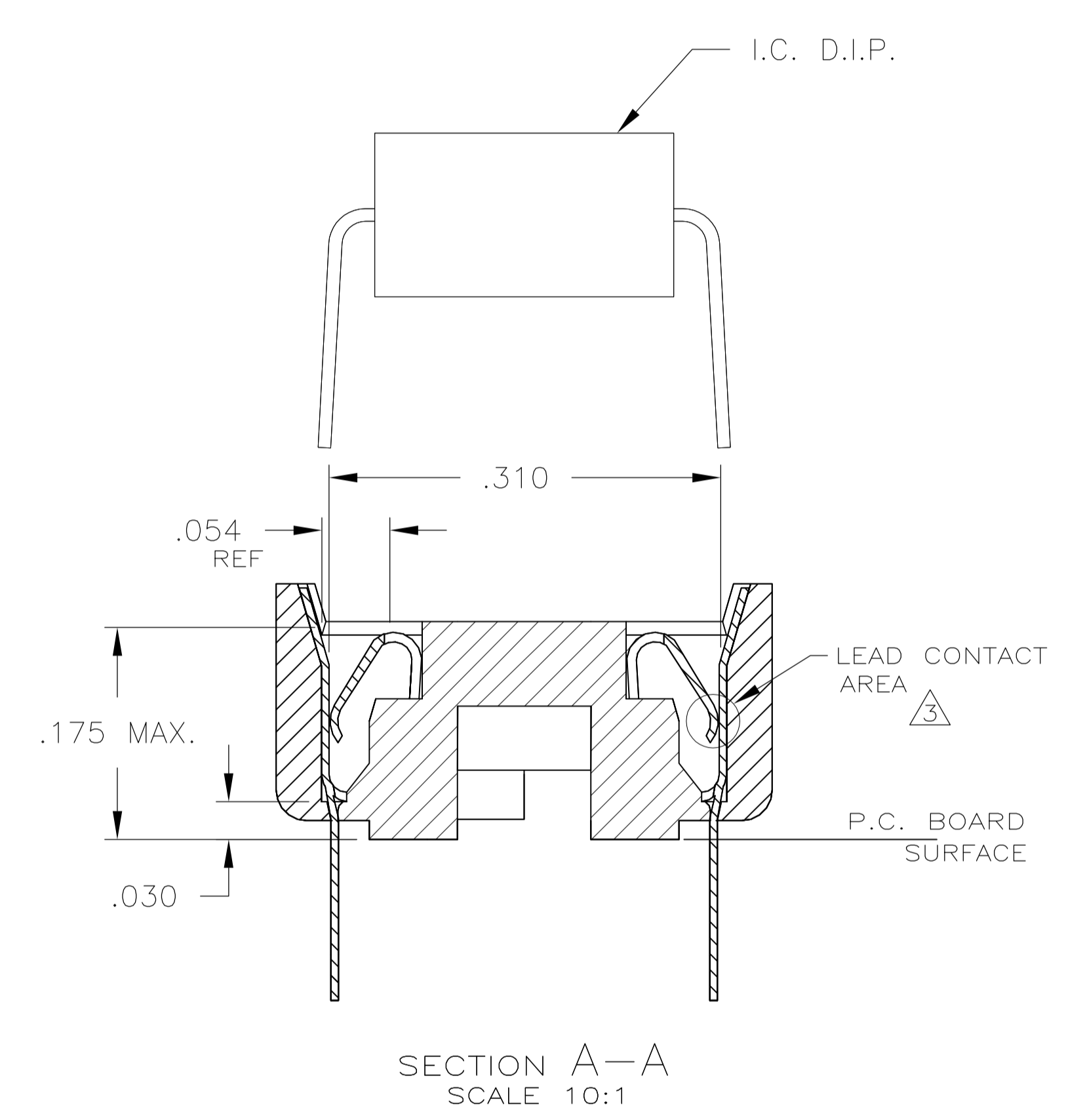
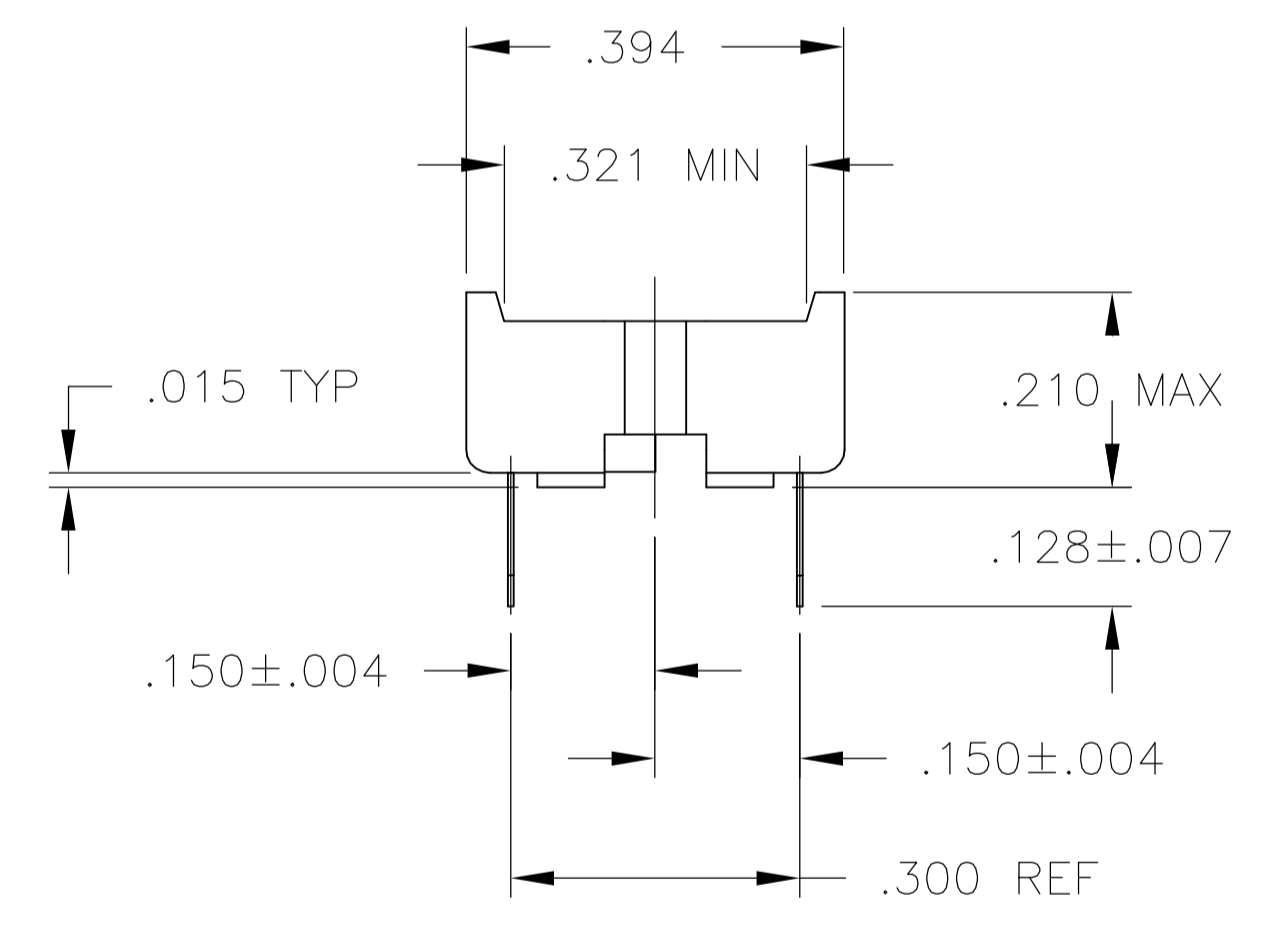
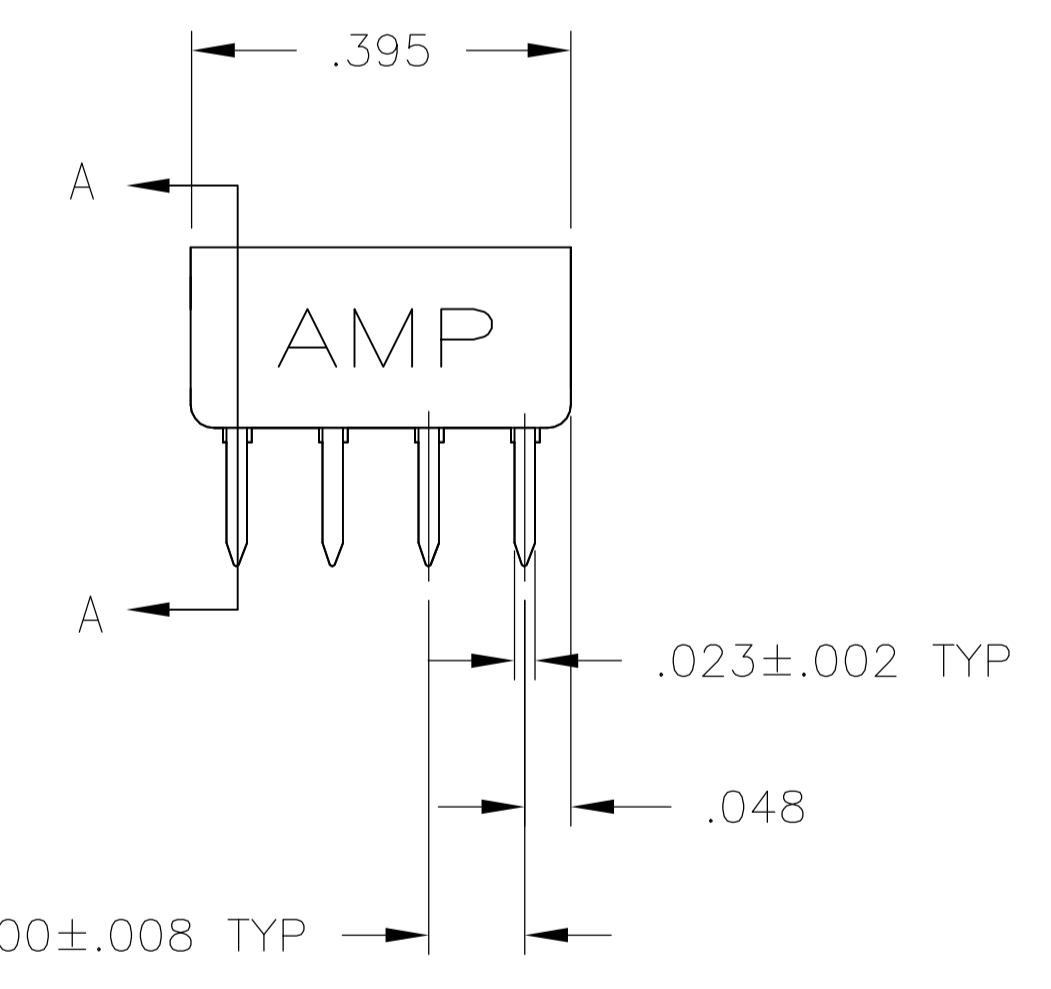
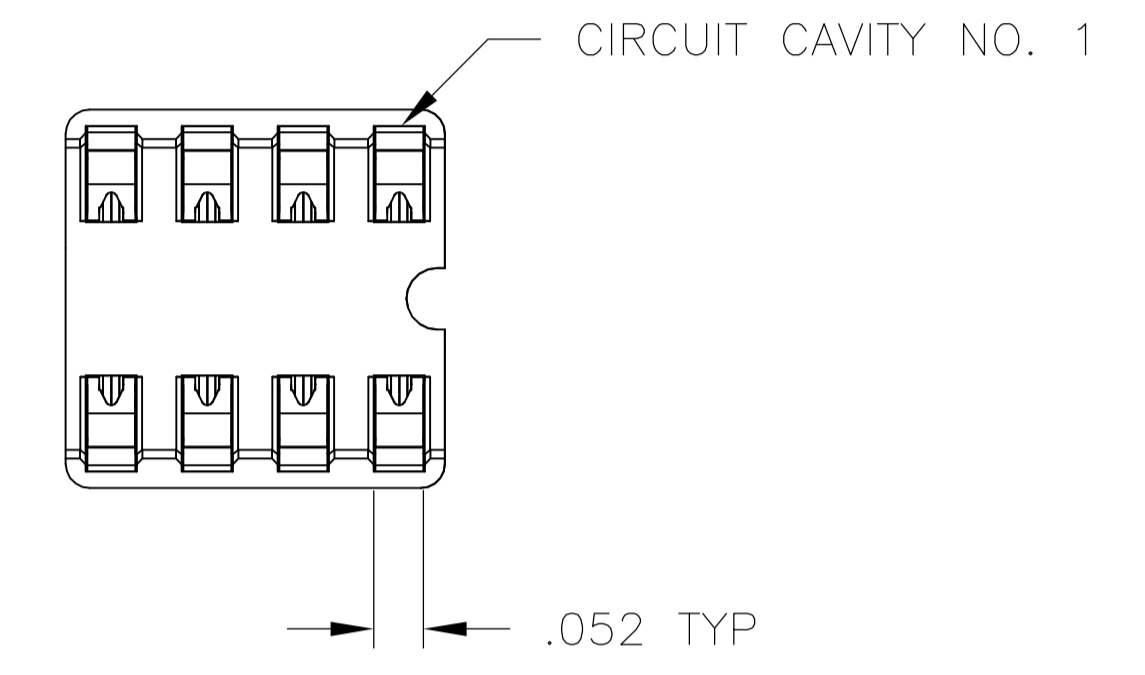


1. RECEPTACLE ACCEPTS A .008-.014 THICK I.C. LEAD.
2. TUBE LOADED.
3. TWO .000030 MIN THK. GOLD STRIPES IN CONTACT AREA WITH TIN-LEAD (93/7) ON CONTACT LEGS, BALANCE OF CONTACT NICKEL PLATED.



OBSOLETE	3	PHOS. BRZ	BROWN GLASS-FILLED PCT	2-382462-4
		PHOS. BRZ	BLACK THERMO PLASTIC	2-382462-3
		BE.CU.	BLACK THERMO PLASTIC	2-382462-1
		CONTACT FINISH	CONTACT MAT'L	HOUSING MATERIAL
				PART NO.

THIS DRAWING IS A CONTROLLED DOCUMENT.		DIN R BROWN 04JAN01		Tyco Electronics Corporation	
DIMENSIONS: INCHES		CHK H WYNKOOP 17NOV00		Harrisburg, PA 17105	
TOLERANCES UNLESS OTHERWISE SPECIFIED:		APVD H WYNKOOP 17NOV00		NAME	
0. PLC ± -	1. PLC ± -	PRODUCT SPEC		SOCKET ASSY, DIP, HT, 8 POS, DIPLOMATE™ DL	
2. PLC ± -	3. PLC ± .005	APPLICATION SPEC		-	
4. PLC ± -	ANGLES ± -	SIZE 114-1052		RESTRICTED TO	
MATERIAL SEE TABLE	FINISH SEE TABLE	WEIGHT -	A1 00779	C=382462	-
CUSTOMER DRAWING			SCALE 5:1	SHEET 1 OF 1	REV K1