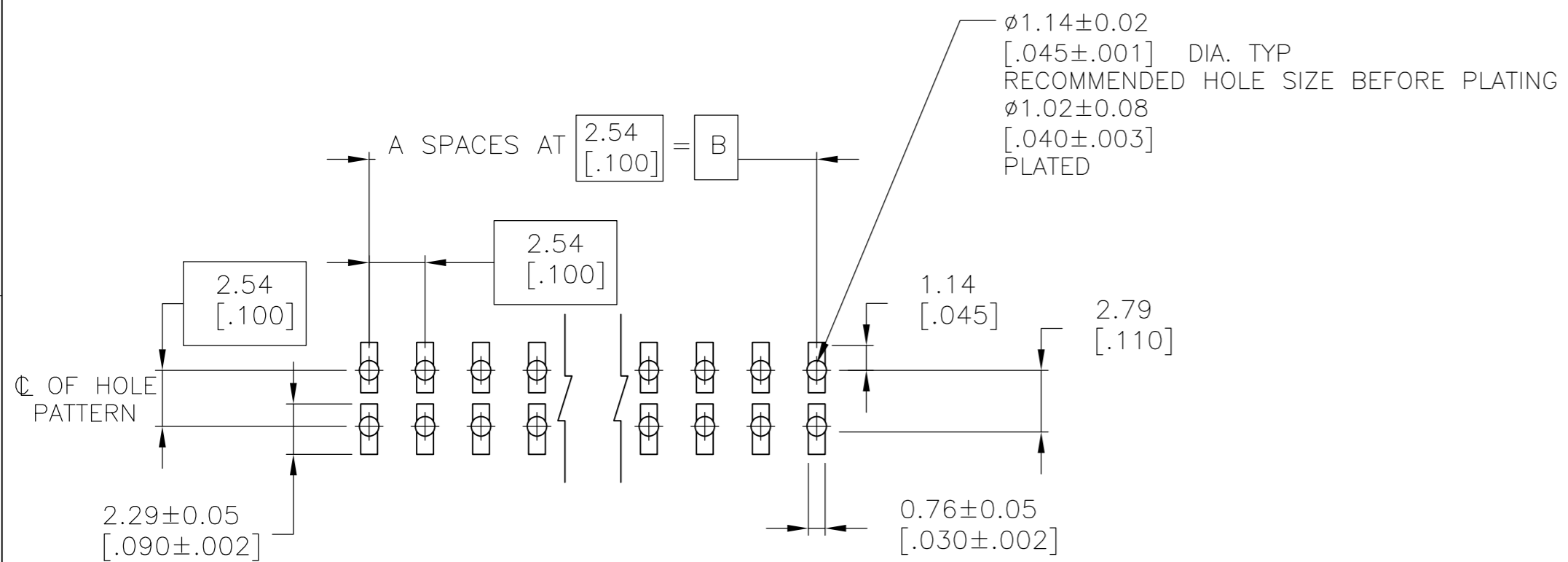
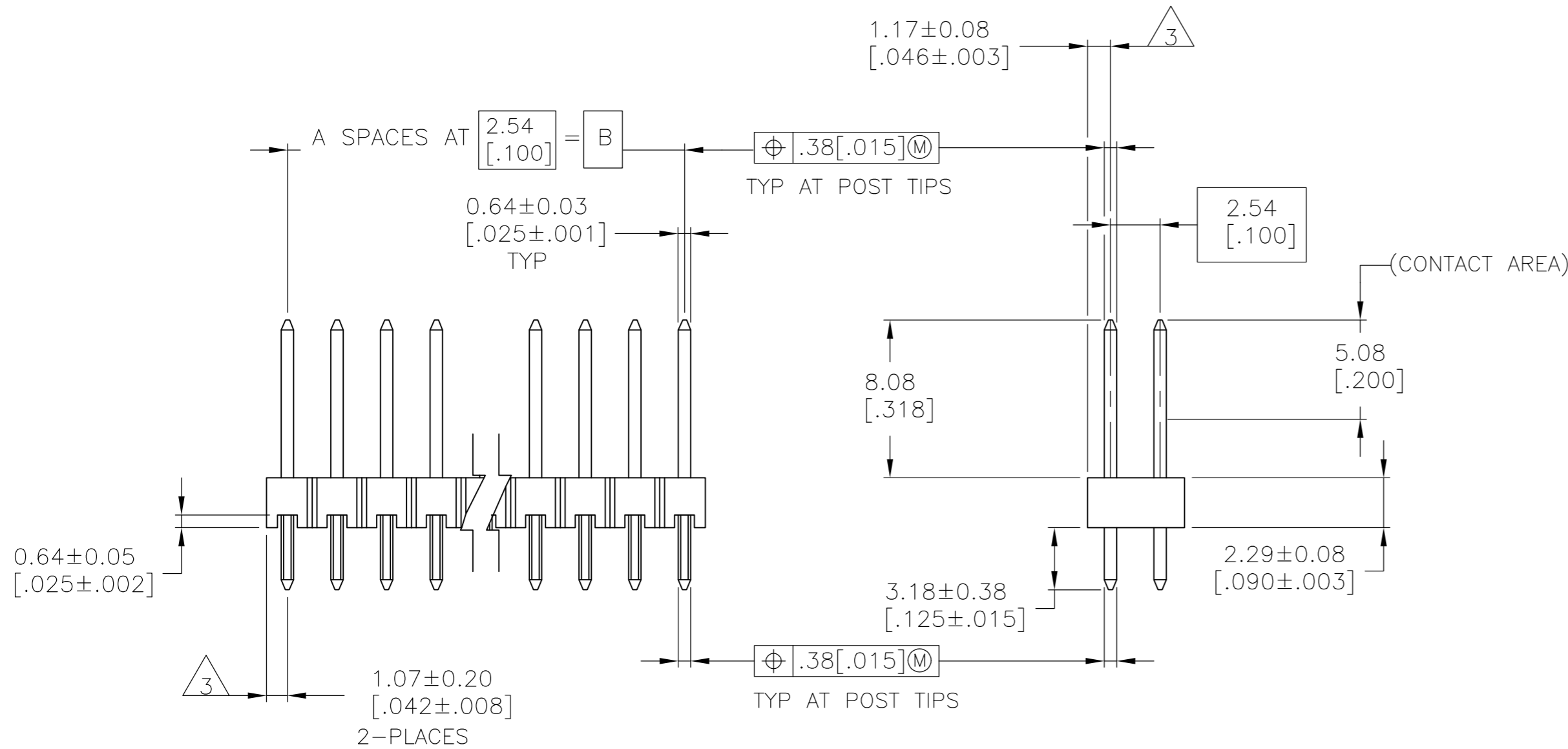
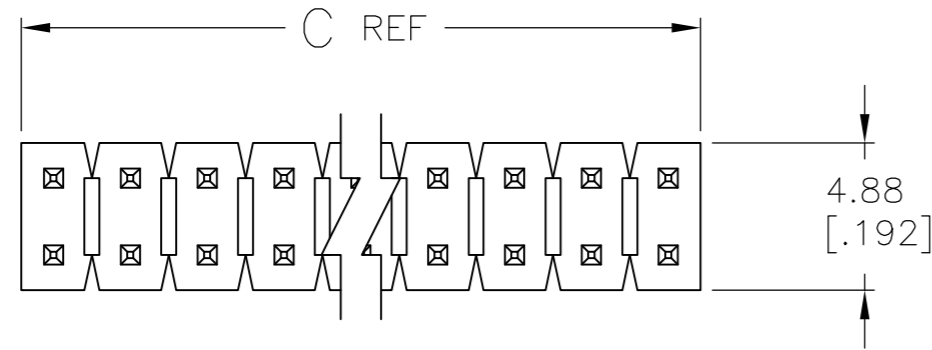


THIS DRAWING IS UNPUBLISHED. RELEASED FOR PUBLICATION
 © COPYRIGHT - By - ALL RIGHTS RESERVED.

LOC		DIST		REVISIONS			
P	LTR	DESCRIPTION		DATE	DWN	APVD	
AD	00	C		REVISED PER ECO-14-006554	08MAY2014	NK	MM



RECOMMENDED PC BOARD MOUNTING DIMENSIONS
 FOR 1.60 [.063] THICK PC BOARD AND
 0.305 [.012] STENCIL THICK

- 1 ASSEMBLY MAY BE BROKEN TO THE DESIRED NUMBER OF POSITIONS.
- 2 TRUE POSITION TOLERANCE OF THE POST TIPS APPLIES WHEN THE HEADER IS HELD FLAT AGAINST THE PRINTED CIRCUIT BOARD.
- 3 THE NOTED DIMENSIONS APPLY AT THE INTERSECTION OF THE POST AND HOUSING.
- 4 HOUSING: LCP, COLOR-BLACK.
- 5 POST: PHOSPHOR BRONZE
- 6 POST PLATING: 0.000076[.000003] MIN GOLD OVER 0.00068[.000027] Pd/Ni ON CONTACT AREA, 0.00254-0.00508[.000100-.000200] MATTE TIN ON SOLDER TAIL, ALL OVER 0.00127[.000050] NICKEL.

6	101.19 [3.984]	99.06 [3.900]	39	80	8-1977945-0
6	-	-	0	2	1977945-2
PLATING	C	B	A	NO. OF POSITIONS	PART NUMBER

THIS DRAWING IS A CONTROLLED DOCUMENT.		DWN	30AUG2013	 TE Connectivity HEADER ASSEMBLY, MOD II, BREAKAWAY, DOUBLE ROW, HIGH TEMPERATURE, 30 Pd/Ni	
DIMENSIONS: mm [INCHES]		CHK	30AUG2013		
TOLERANCES UNLESS OTHERWISE SPECIFIED:		APVD	30AUG2013		
0 PLC ± - 1 PLC ± - 2 PLC ± 0.51[.02] 3 PLC ± 0.127[.005] 4 PLC ± 0.0127[.0005] ANGLES ± -		NAME	NAME		
MATERIAL	FINISH	WEIGHT	SCALE	SHEET	REV
HOUSING: 4	POST: SEE TABLE	-	A2	00779	C=1977945
POST: 5			CUSTOMER DRAWING	4:1	1 OF 1