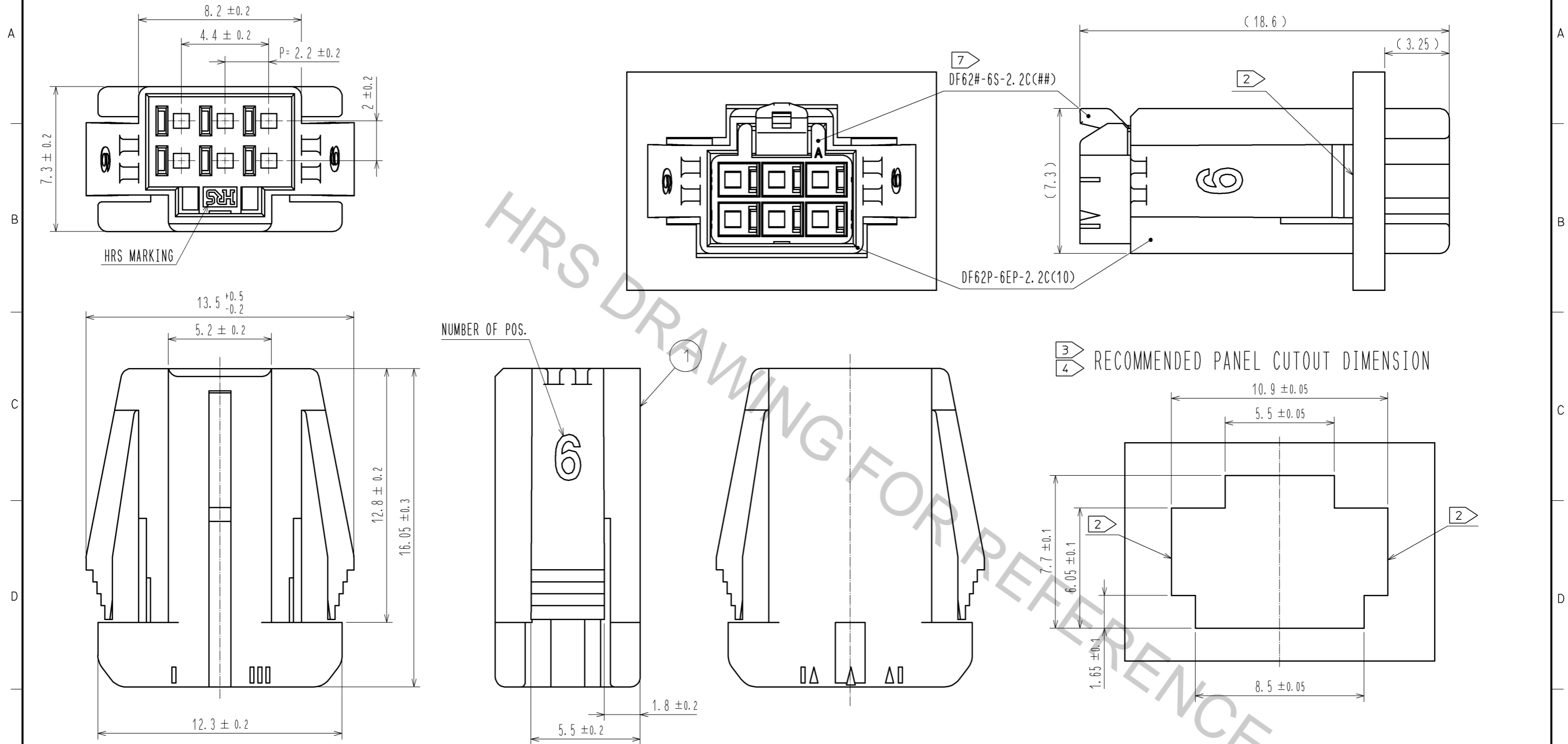
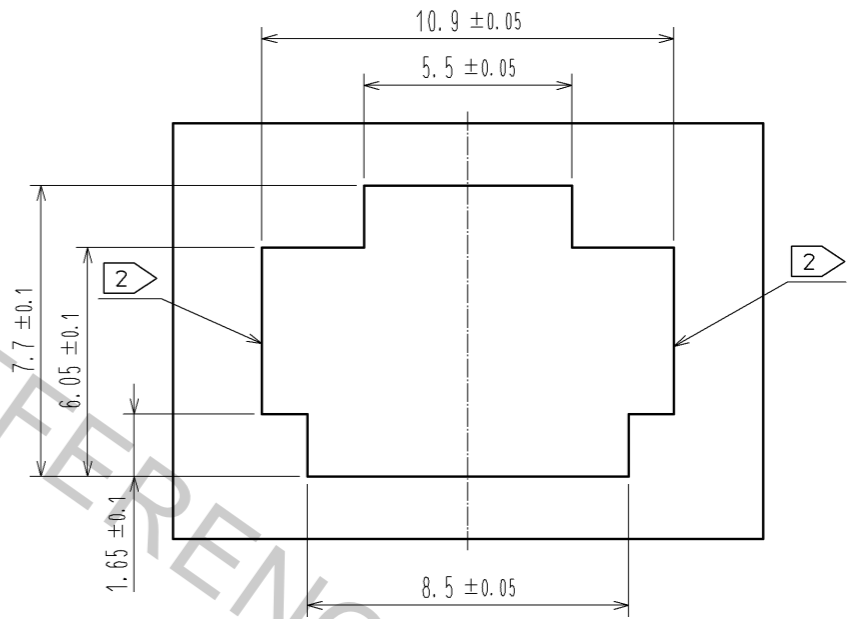
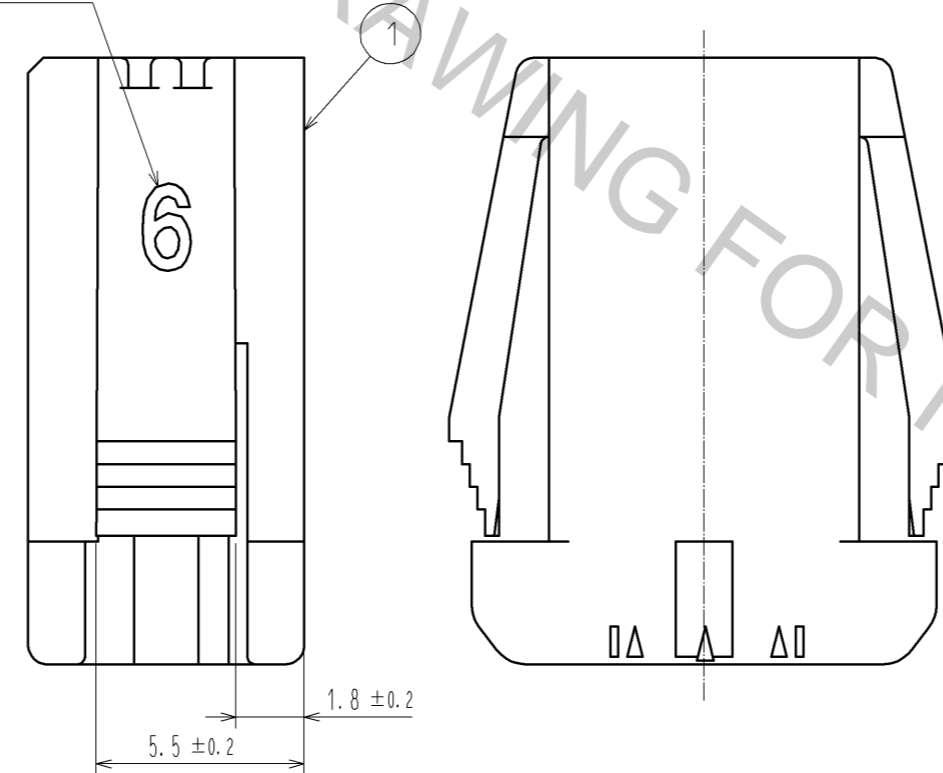


7 MATING FIGURE ( PANEL MOUNTED )



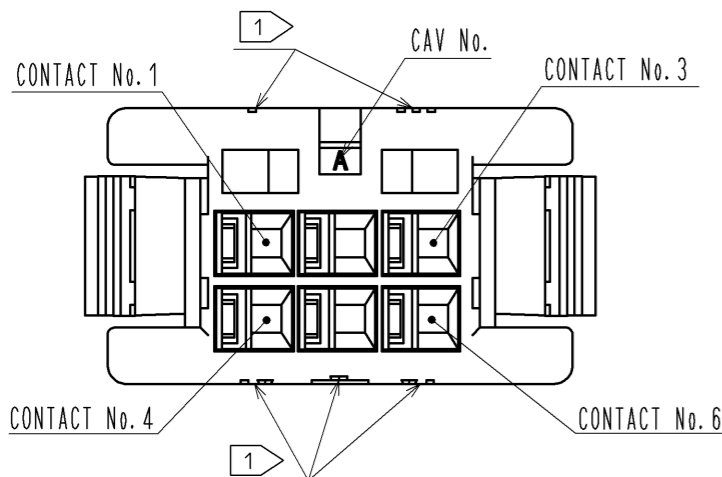
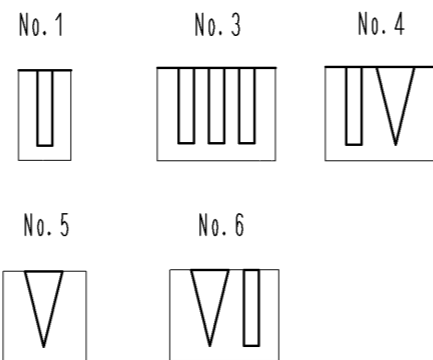
NUMBER OF POS.

3 4 RECOMMENDED PANEL CUTOUT DIMENSION



- NOTE. 1 MARKINGS AT THE INDICATED POSITIONS ARE CONTACT NO. MARKING, AND SHAPES ARE SHOWN IN FIGURE-1.  
 2 PLEASE USE THE NON-RADIUS SIDE FOR THE PANEL HOOKING AREA.  
 3 APPLICABLE PANEL THICKENING IS 2.3 TO 0.5mm.  
 4 CONSULT HIROSE FOR THE OTHER PANEL CUTOUT DESIGNS THAN THE RECOMMENDED ONE.  
 5. PER PACK : 100 PIECES.  
 6. THE DIMENSIONS IN PARENTHESIS ARE FOR REFERENCE.  
 7 THIS FIGURE SHOWS THE MATED CONDITION WITH DF62B-6S-2.2C.

1 FIGURE-1 CONTACT No. MARKING (10:1)



NO.	MATERIAL	FINISH . REMARKS	NO.	MATERIAL	FINISH . REMARKS
			1	PBT	UL94V-0(WHITE)
UNITS	mm	SCALE	5 : 1	COUNT	DESCRIPTION OF REVISIONS
APPROVED : KI. AKIYAMA		14.03.10		DRAWING NO. EDC3-349139-01	
CHECKED : HK. UMEHARA		14.03.10		PART NO. DF62P-6EP-2.2C(10)	
DESIGNED : TS. KUMAZAWA		14.03.07		CODE NO. CL544-0547-2-10	
DRAWN : TS. KUMAZAWA		14.03.07		DATE	