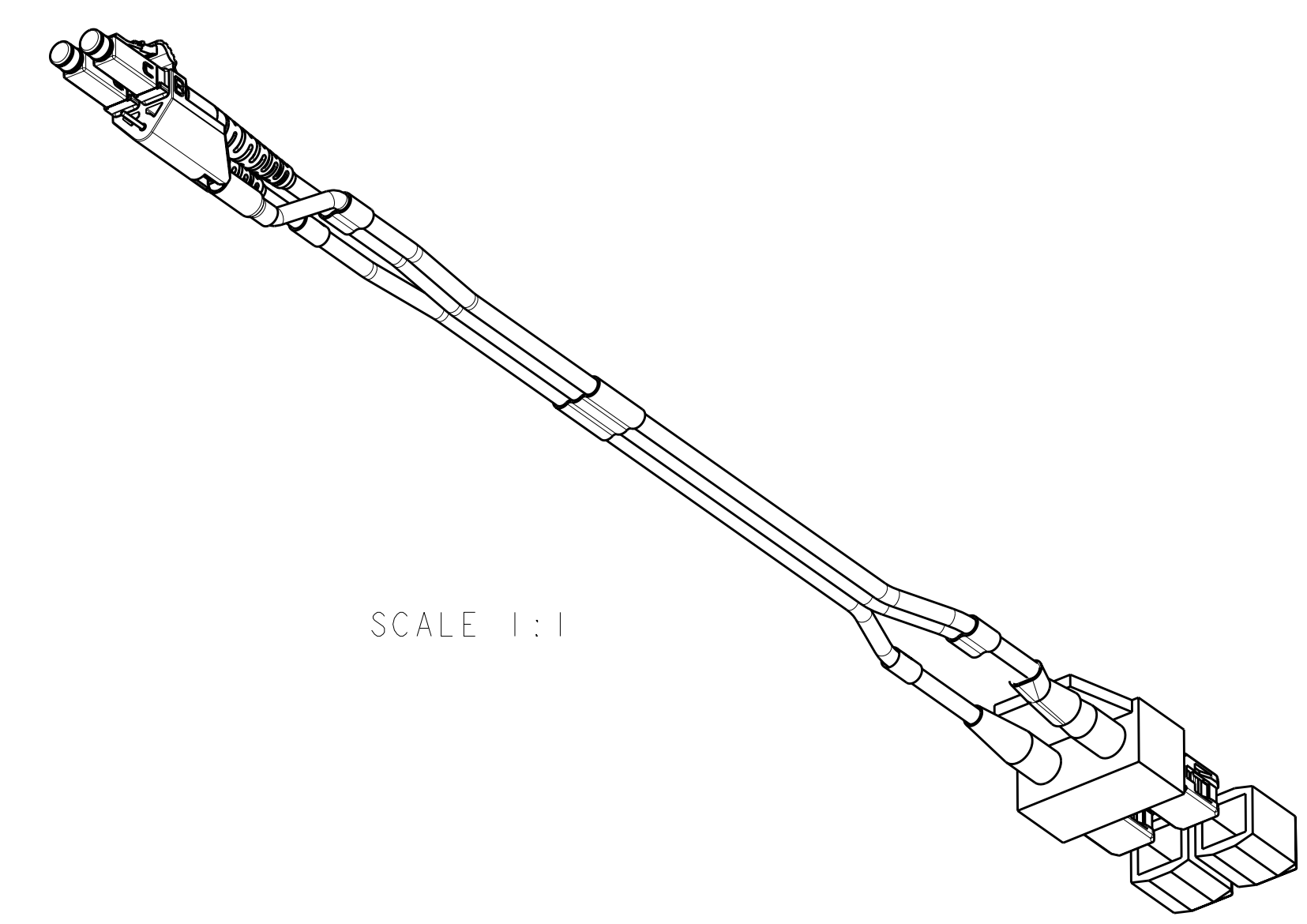
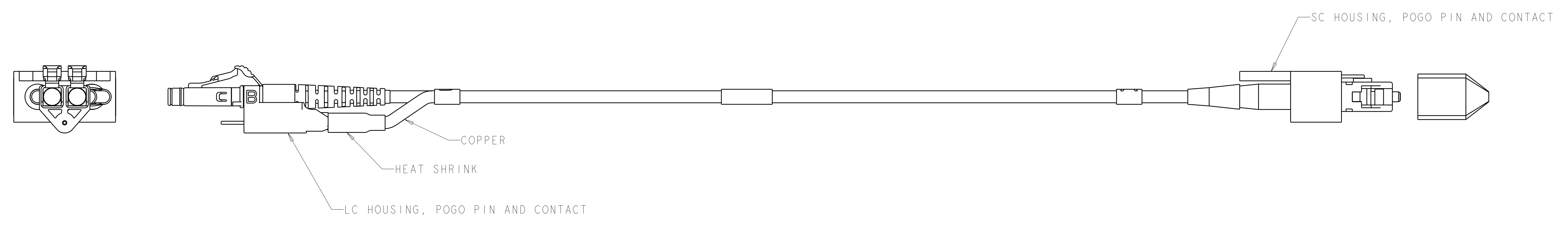
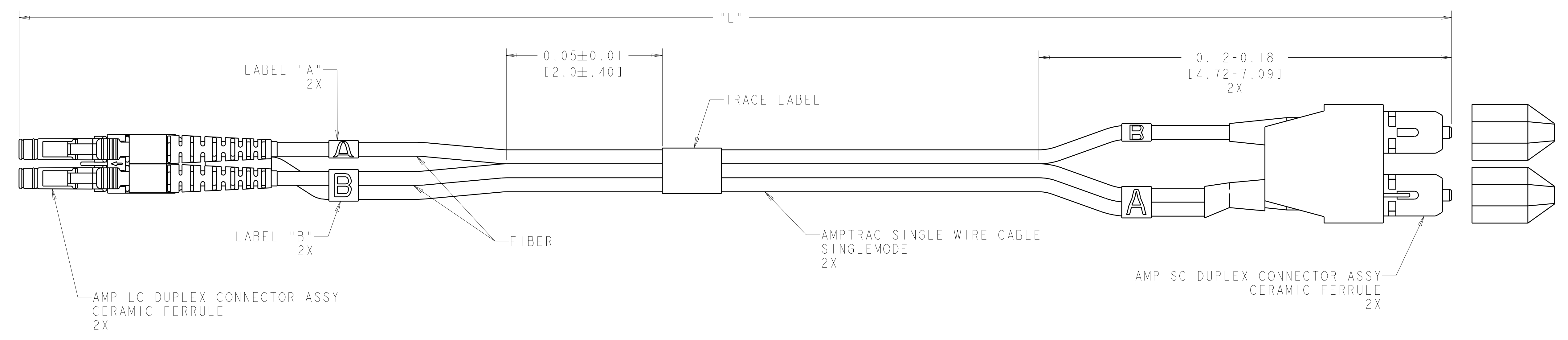


CONNECTOR LOSS (dB)	"L" METERS [INCHES]	PART NUMBER
.52	10.0±.15 [393.7±6]	1-1435797-0
.52	7.0±0.08 [275.6±3]	1435797-7
.51	5.0±.08 [196.9±3]	1435797-5
.50	3.0±.05 [118.1±2.0]	1435797-3
.50	2.0±.05 [78.7±2.0]	1435797-2
.50	1.0±.05 [39.4±2.0]	1435797-1

LOC	DIST	REV	DESCRIPTION	DATE	OWN	APPD
HM	00	B	ECR-05-002641	31MAY2005	JM	MD
		C	REV: ECO-05-015208	12DEC2005	GG	MD
		D	ECO-08-007442	25MAR2008	JM	DC



SCALE 1:1

△ DIMENSIONS IN [ ] ARE IN INCHES.  
 △ MAXIMUM CONNECTOR LOSS IS EQUAL TO .50 dB PLUS CABLE ATTENUATION.

DIMENSIONS:  METERS 		TOLERANCES UNLESS OTHERWISE SPECIFIED: 9 PLC ± 1 PLC ± 3 PLC ± 4 PLC ± ANGLES ± FINISH ±		DWN J MCNEAL 31MAY2005 CHK L SMITH 31MAY2005 APVD M DELPHIAS 31MAY2005 PRODUCT SPEC APPLICATION SPEC WEIGHT CUSTOMER DRAWING		<b>tyco</b> Tyco Electronics Harrisburg, PA 17105-3608 NAME: CABLE ASSY FIBER OPTIC AMPTRAC SC TO LC, DUPLEX, SINGLEMODE SIZE: A   00779   C=1435797 SCALE: 2:1 SHEET 1 OF 1 REV D	
-------------------------	--	--	--	--	--	--	--