

## Interface module - UM-D37M/DS/FU/LED/AO/C300/L - 2905243

Please be informed that the data shown in this PDF Document is generated from our Online Catalog. Please find the complete data in the user's documentation. Our General Terms of Use for Downloads are valid (<http://phoenixcontact.com/download>)



16-channel module for Honeywell C300 analog output cards with disconnect, test points, socketed 500 mA fuses and fuse status indicator.

### Why buy this product

- These VARIOFACE modules are used in combination with the relevant front adapters
- Per channel pluggable 500 mA fusing
- Per channel disconnects with test points
- LED blown fuse indication
- Din rail mounting, includes grounding foot
- Per channel shield connection
- UM-PRO housing



### Key Commercial Data

Packing unit	1 STK
GTIN	
GTIN	4046356947091

### Technical data

#### Dimensions

Width	104 mm
Height	142.3 mm
Depth	79 mm

#### Ambient conditions

Ambient temperature (operation)	-40 °C ... 60 °C
Ambient temperature (storage/transport)	-40 °C ... 75 °C

#### General

Max. perm. operating voltage	24 V DC
Max. perm. current (per branch)	500 mA (fuse limited)

# Interface module - UM-D37M/DS/FU/LED/AO/C300/L - 2905243

## Technical data

### General

Max. permissible current (separate power supply)	4 A (via D-SUB)
Number of positions	37
Status display	No
Mounting position	any
Assembly instructions	In rows with zero spacing

### Connection data for connection 1

Connection name	Field level
Connection method	Screw connection with disconnect knife
Stripping length	8 mm
Screw thread	M 3
Conductor cross section solid	0.2 mm <sup>2</sup> ... 4 mm <sup>2</sup>
Conductor cross section flexible	0.2 mm <sup>2</sup> ... 2.5 mm <sup>2</sup>
Conductor cross section AWG	24 ... 12

### Connection data for connection 2

Connection name	Controller level
Connection method	D-SUB pin strip
Number of connections	1
Number of positions	37

### Supported controller

Controller	HONEYWELL Experion PKS C300/C-Series
- suitable I/O card	TAOX01
	TAOX11
	TAON01
	TAON11
Controller	Honeywell Experion LX Series 8
- suitable I/O card	8X-TAOXA1
	8X-TAOXB1

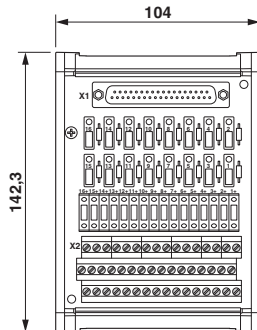
### Standards and Regulations

Standards/regulations	DIN EN 50178
-----------------------	--------------

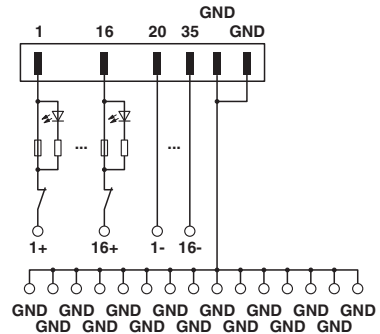
### Drawings

# Interface module - UM-D37M/DS/FU/LED/AO/C300/L - 2905243

Dimensional drawing



Circuit diagram



## Approvals

Approvals

Approvals

UL Recognized / cUL Recognized / EAC / cULus Recognized

Ex Approvals

## Approval details

UL Recognized		<a href="http://database.ul.com/cgi-bin/XYV/template/LISEXT/1FRAME/index.htm">http://database.ul.com/cgi-bin/XYV/template/LISEXT/1FRAME/index.htm</a>	FILE E 238705
---------------	--	---	---------------

cUL Recognized		<a href="http://database.ul.com/cgi-bin/XYV/template/LISEXT/1FRAME/index.htm">http://database.ul.com/cgi-bin/XYV/template/LISEXT/1FRAME/index.htm</a>	FILE E 238705
----------------	--	---	---------------

EAC			RU C-DE.A*30.B.01742
-----	--	--	----------------------

cULus Recognized		<a href="http://database.ul.com/cgi-bin/XYV/template/LISEXT/1FRAME/index.htm">http://database.ul.com/cgi-bin/XYV/template/LISEXT/1FRAME/index.htm</a>	
------------------	--	---	--

Phoenix Contact 2017 © - all rights reserved  
<http://www.phoenixcontact.com>

PHOENIX CONTACT GmbH & Co. KG  
Flachmarktstr. 8  
32825 Blomberg  
Germany  
Tel. +49 5235 300  
Fax +49 5235 3 41200  
<http://www.phoenixcontact.com>