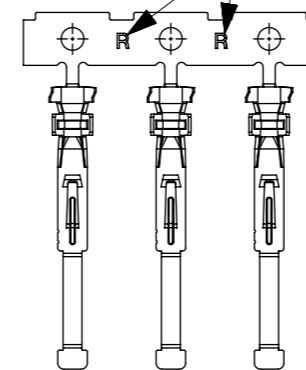


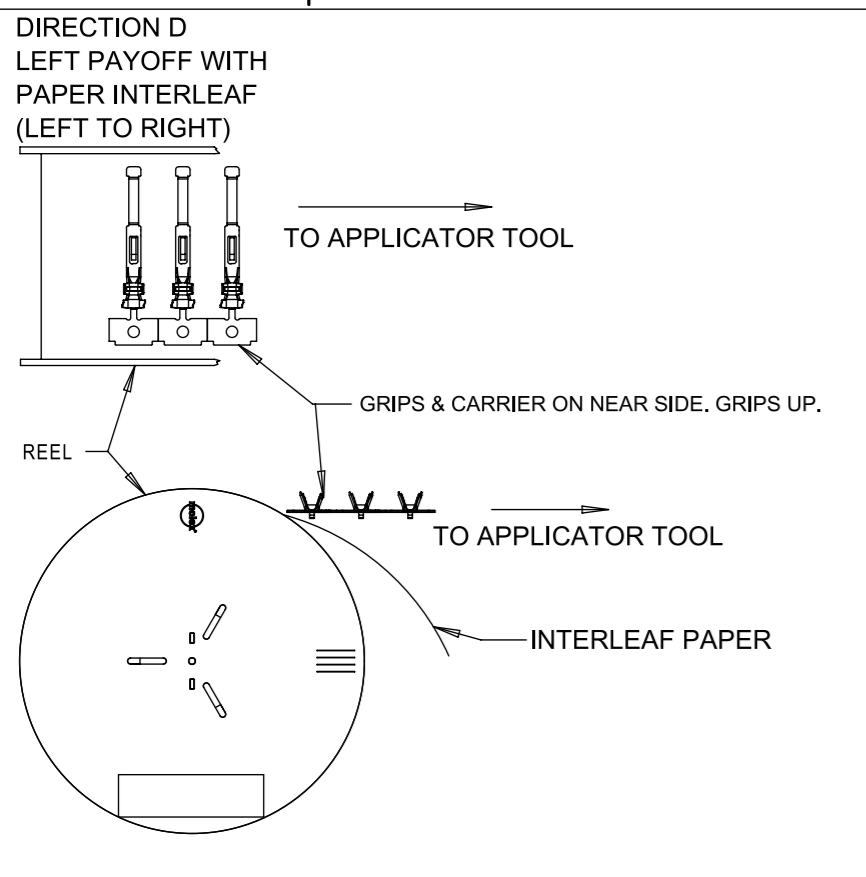
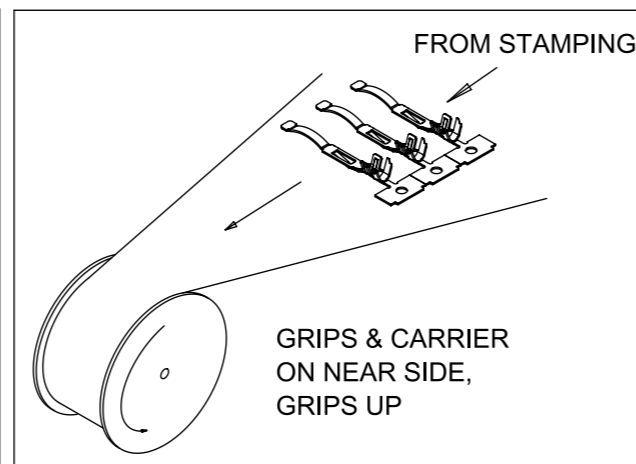
(0.25)
SHEET THICKNESS

SEE NOTE 8



NOTES:

1. MATERIAL: HIGH COPPER
2. PLATING: TIN OVER NICKEL OVERALL
3. PRODUCT SPECIFICATION: PS-36876-001
4. PACKAGING SPECIFICATION: PK-36876-001
5. MATES WITH: IDENTICAL TERMINAL (SERIES 36876)
6. USED WITH: GENDERLESS CRIMP HOUSING SERIES 36877
7. COSMETIC SPECIFICATION: PS-45499-002 CLASS B
8. "R" MARKING ON CARRIER STRIP IS FOR INTERNAL REFERENCE ONLY.



PART NO.	AWG	A	B	Rx	C	D	Ry
368760001	20-22	2.50	2.70	0.60	2.70	3.10	0.80
368760002	24-26	2.35	2.70	0.25	2.20	2.40	0.70

RELEASE STATUS	P1	RELEASE DATE	27.05.2016	03:55:16
----------------	----	--------------	------------	----------

THIS DRAWING CONTAINS INFORMATION THAT IS PROPRIETARY TO MOLEX ELECTRONIC TECHNOLOGIES, LLC AND SHOULD NOT BE USED WITHOUT WRITTEN PERMISSION

EC NO: 105248 DRWN: VLM CHK'D: NCSR APPR: KPRASAD	2016/02/25	2016/05/25	2016/05/26	GENERAL TOLERANCES (UNLESS SPECIFIED) ANGULAR TOL ± 0.5 ° 4 PLACES ± 3 PLACES ± 2 PLACES ± 0.13 1 PLACE ± 0.25 0 PLACES ± DRAFT WHERE APPLICABLE MUST REMAIN WITHIN DIMENSIONS	DIMENSION UNITS	SCALE				
					MM	10:1				
					DRWN BY	DATE	GENDERLESS TERMINAL 20-26 AWG DITTO INTERCONNECTS			
					NCSR	2013/10/28				
					CHK'D BY	DATE	PRODUCT CUSTOMER DRAWING			
			KPRASAD	2013/10/29						
			APPR BY	DATE	DRAWING SIZE	THIRD ANGLE PROJECTION	SERIES	MATERIAL NUMBER	CUSTOMER	
					A3		36876	SEE TABLE	GENERAL MARKET	
							DOCUMENT NUMBER	DOC TYPE	DOC PART	SHEET NUMBER
							SD-36876-001	PSD	000	1 OF 1