

| LOC | | DIST | | REVISIONS | | | |
|-----|----|------|-----|-------------|------|-----|------|
| A | 66 | P | LTM | DESCRIPTION | DATE | DWN | APVD |
| | | - | - | SEE SHEET 1 | - | - | - |

FEED TYPE MECHANICAL



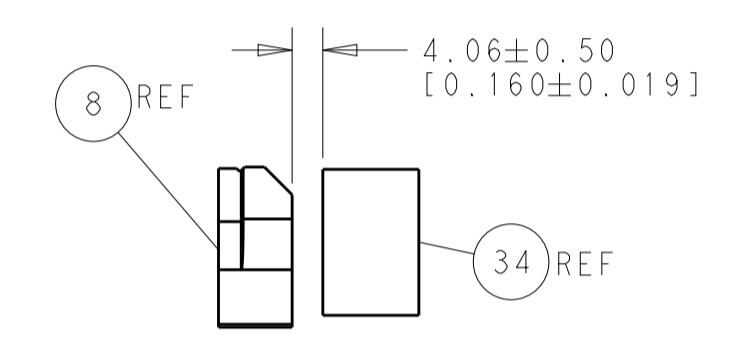
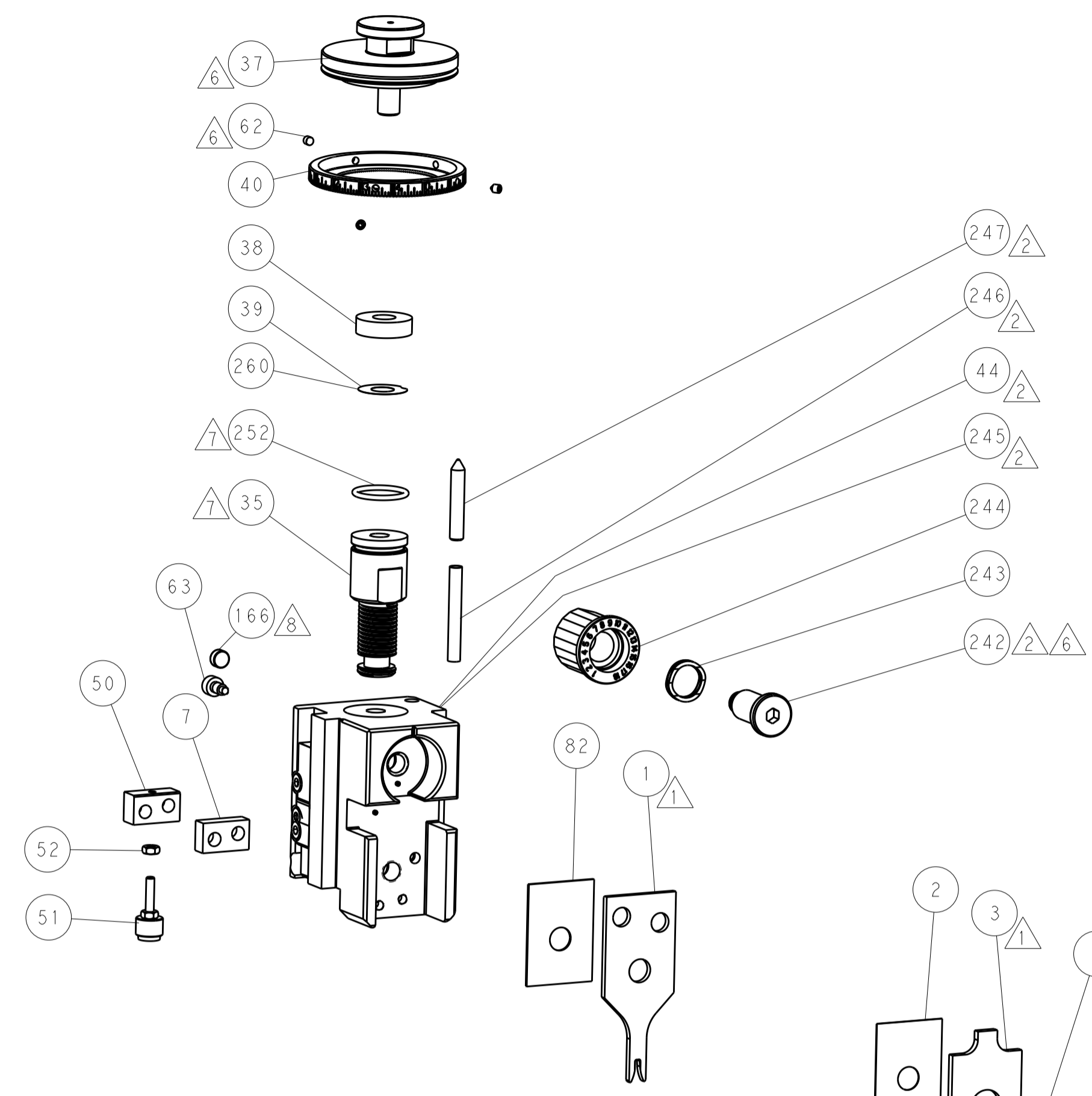
PNEUMATIC



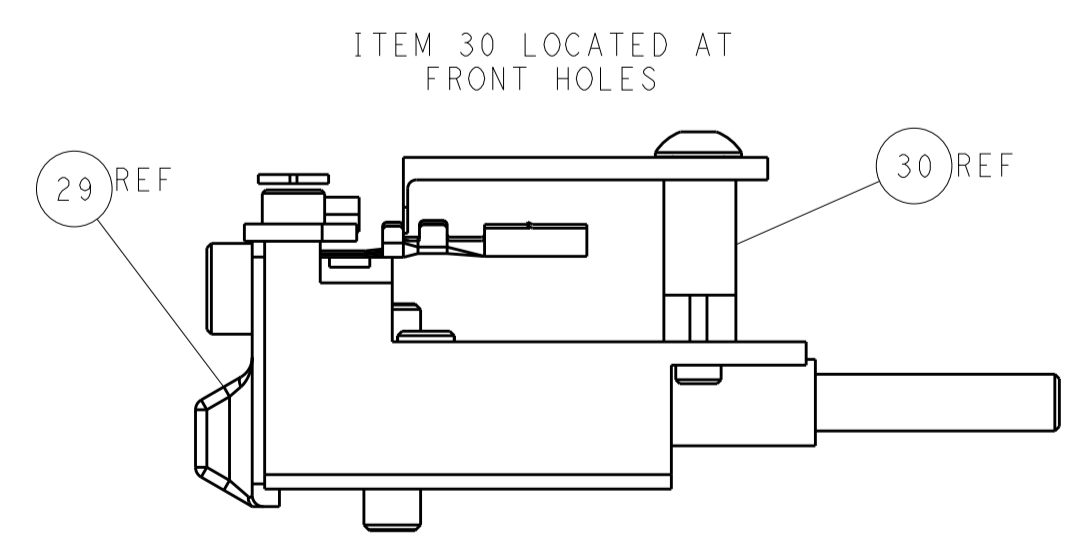
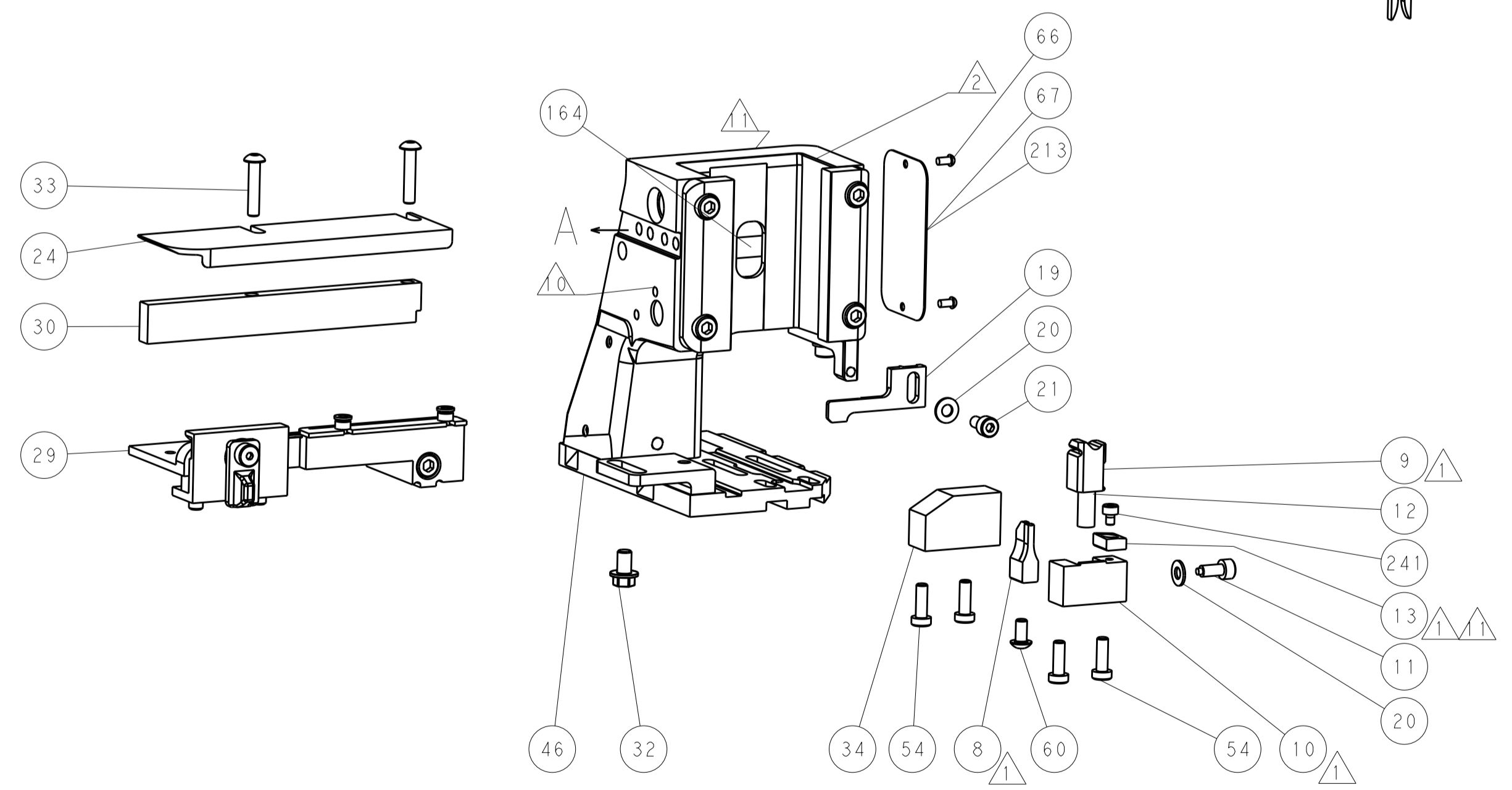
SERVO LATCH PLATE



CAM POSITIONS



TERMINAL SUPPORT LOCATION



ITEM 30 LOCATED AT FRONT HOLES

FEED TRACK POSITION GUIDE BY INSULATION BARREL

ATLANTIC VERSION
 Shown on sheets 1 of 4 & 2 of 4
 (Pacific version shown on sheets 3 of 4 & 4 of 4)

| | | | | | | | |
|--|------------|--|-------------|------------------------------|--------------|--|---------------------------------------|
| DIMENSIONS: | | TOLERANCES UNLESS OTHERWISE SPECIFIED: | | DWN R. HUANG 12JAN2015 | | TE Connectivity Harrisburg, PA 17105-3608 | |
| mm | 0 PLC ±0.5 | 1 PLC ±0.5 | 2 PLC ±0.13 | 3 PLC ±0.013 | 4 PLC ±0.001 | APVD L. ZHANG 12JAN2015 | NAME Ocean Side Feed Applicator |
| MATERIAL: | FINISH: | WEIGHT: | SCALE: 1:2 | SHEET 2 OF 4 | REV A | RESTRICTED TO | |
| Customer Accessible Production Drawing | | | | A1 00779 ©=2266628 | | Customer Accessible Production Drawing | |

| LOC | | DIST | | REVISIONS | | | |
|-----|----|------|-----|-------------|------|-----|------|
| A | 66 | P | LTM | DESCRIPTION | DATE | OWN | APVD |
| | | - | | SEE SHEET 1 | | | |

FEED TYPE MECHANICAL



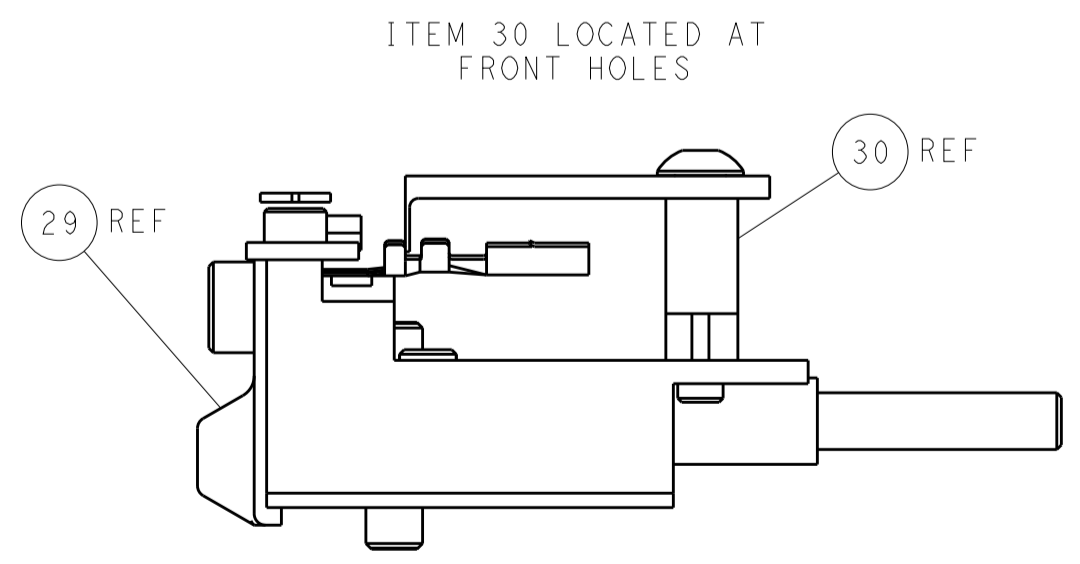
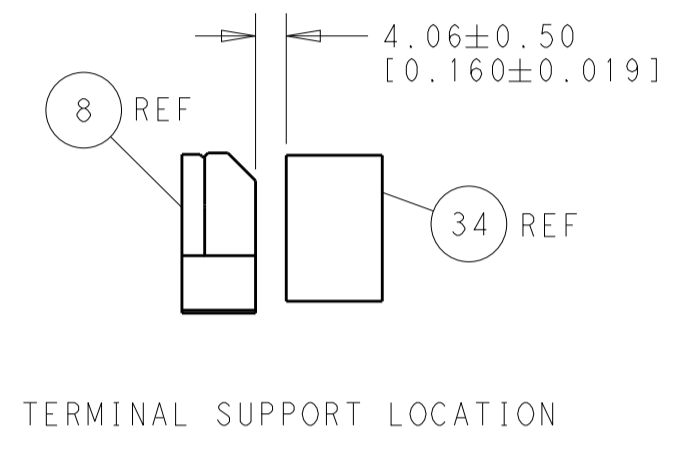
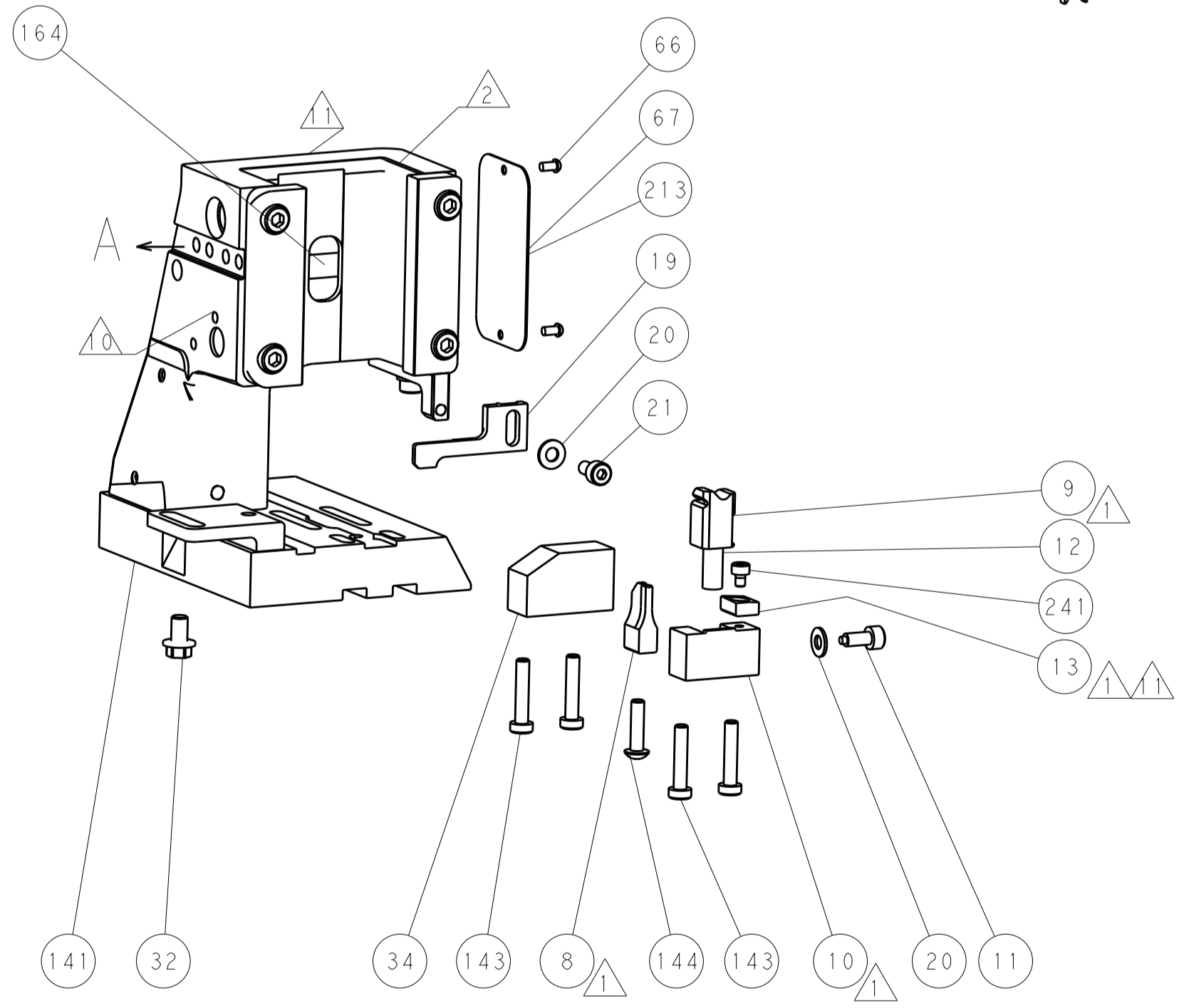
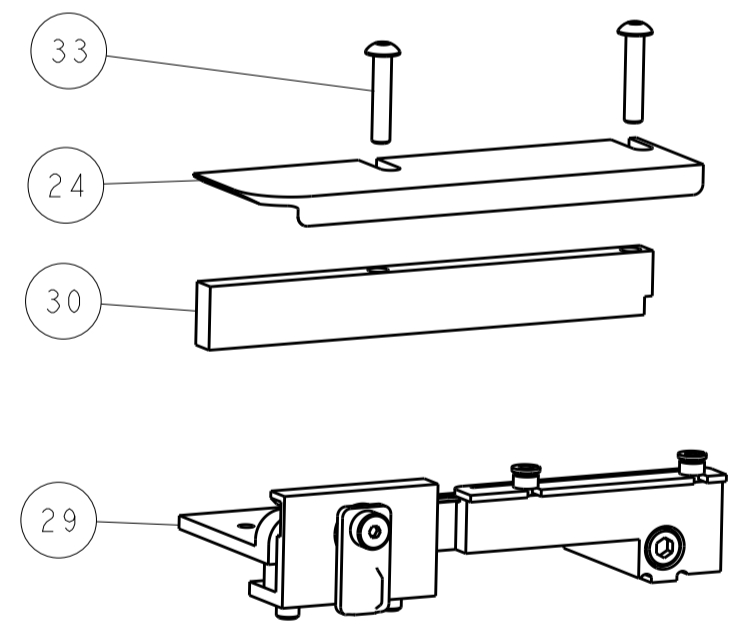
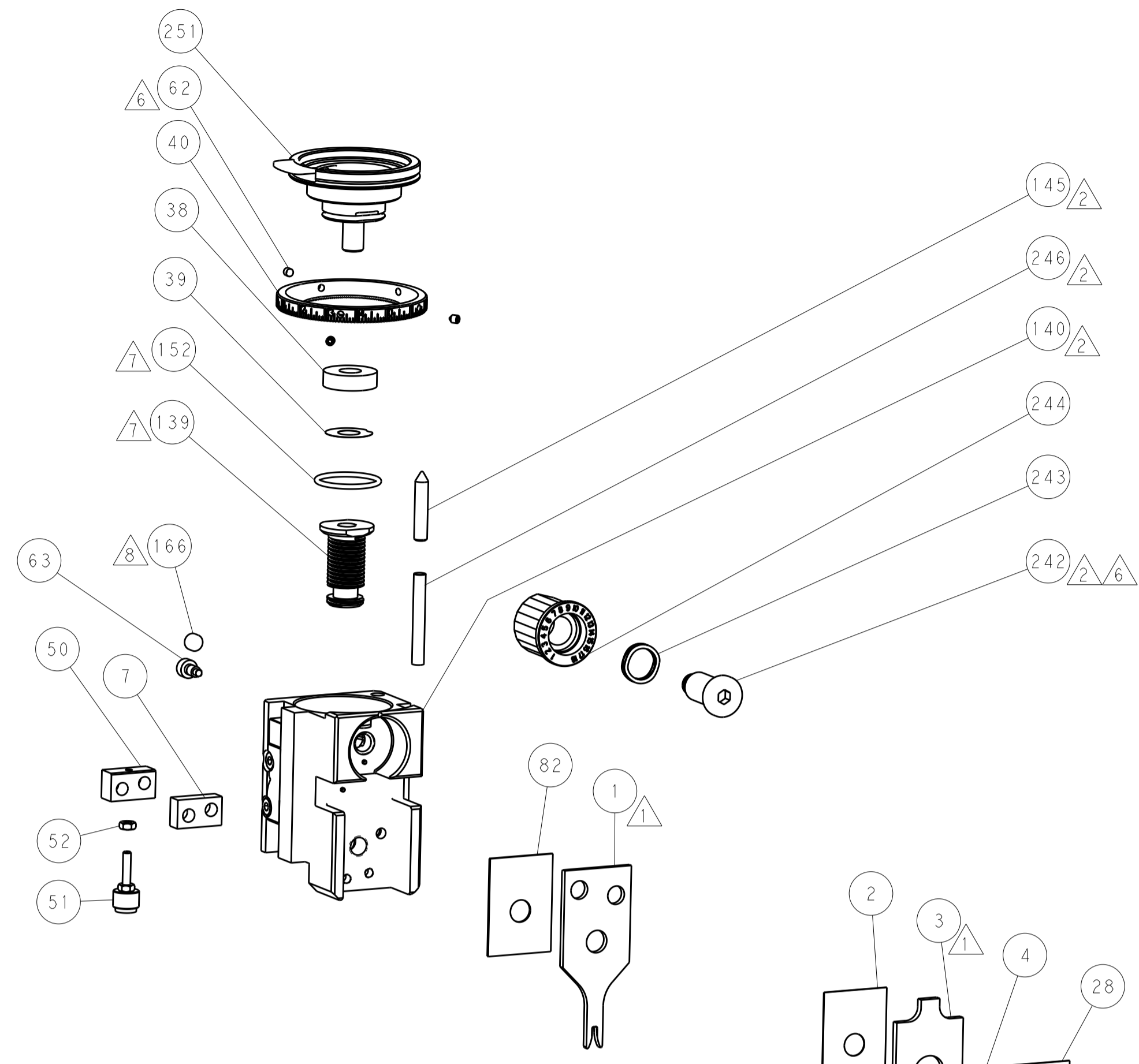
PNEUMATIC



SERVO LATCH PLATE



CAM POSITIONS



PACIFIC VERSION
 Shown on sheets 3 of 4 & 4 of 4
 (Atlantic version shown on sheets 1 of 4 & 2 of 4)

| | | | | | | | | | | | |
|-------------|---------|--|--------|---|-----------|-------------------------|---------------|---|--|----------------------------------|--|
| DIMENSIONS: | | TOLERANCES UNLESS OTHERWISE SPECIFIED: | | DWG: H. HUANG 12JAN2015 | | CHK: L. ZHANG 12JAN2015 | | APVD: H. GUO 12JAN2015 | | NAME: Ocean Side Feed Applicator | |
| mm | 0 PLC | ± | 0.5 | SIZE | CAGE CODE | DRAWING NO | RESTRICTED TO | STE TE Connectivity Harrisburg, PA 17105-3608 | | | |
| | 1 PLC | ± | 0.13 | A 00779 C=2266628 | | | | | | | |
| | 2 PLC | ± | 0.013 | Customer Accessible Production Drawing | | | | | | | |
| | 3 PLC | ± | 0.001 | SCALE: 1:2 SHEET 4 OF 4 REV A | | | | | | | |
| | 4 PLC | ± | 0.0001 | SHEETS 1 & 2 ARE NOT REQUIRED FOR PACIFIC VERSION | | | | | | | |
| MATERIAL: | FINISH: | | | | | | | | | | |