

THIS DRAWING IS UNPUBLISHED. RELEASED FOR PUBLICATION
 © COPYRIGHT BY TYCO ELECTRONICS CORPORATION. ALL RIGHTS RESERVED.

LOC	DIST	REVISIONS					
J		P	LTR	DESCRIPTION	DATE	DWN	APVD
		B	REVISED		05NOV2008	M.K	T.Y

D

C

B

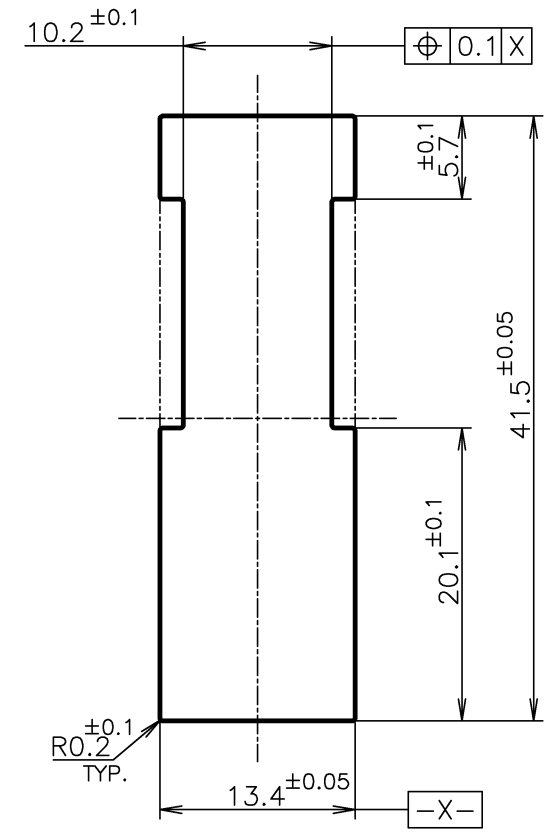
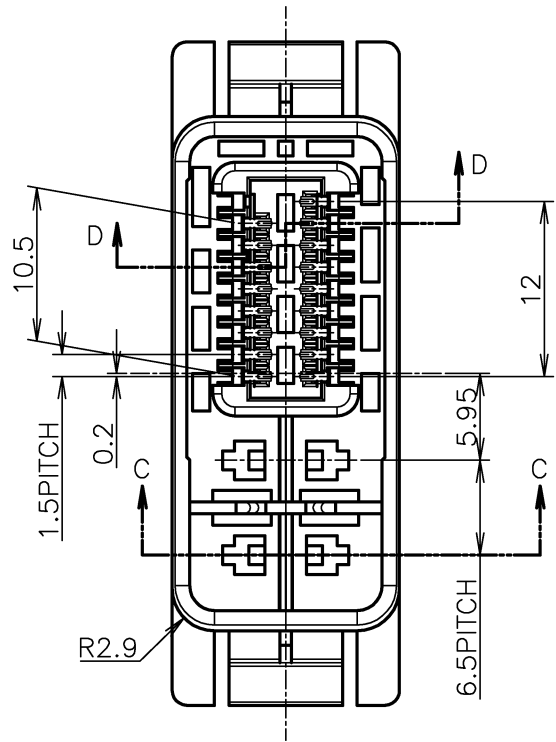
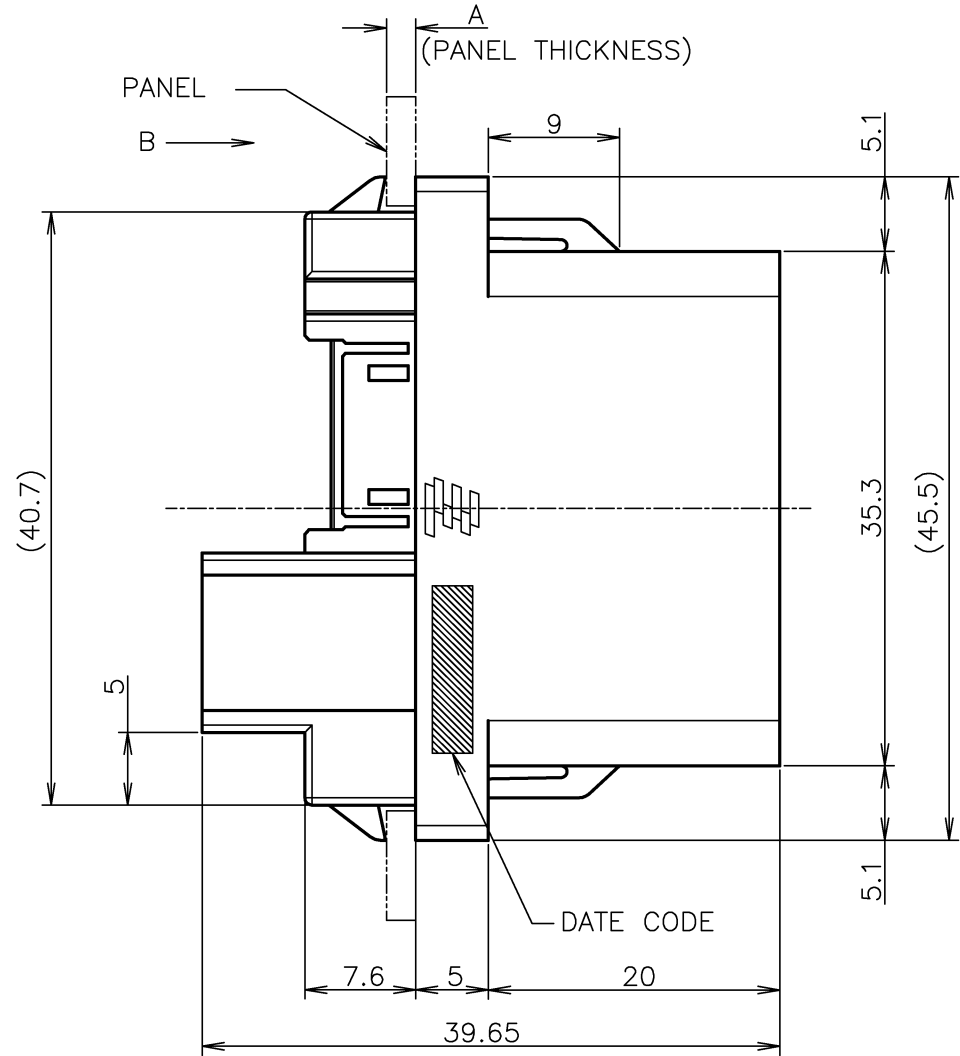
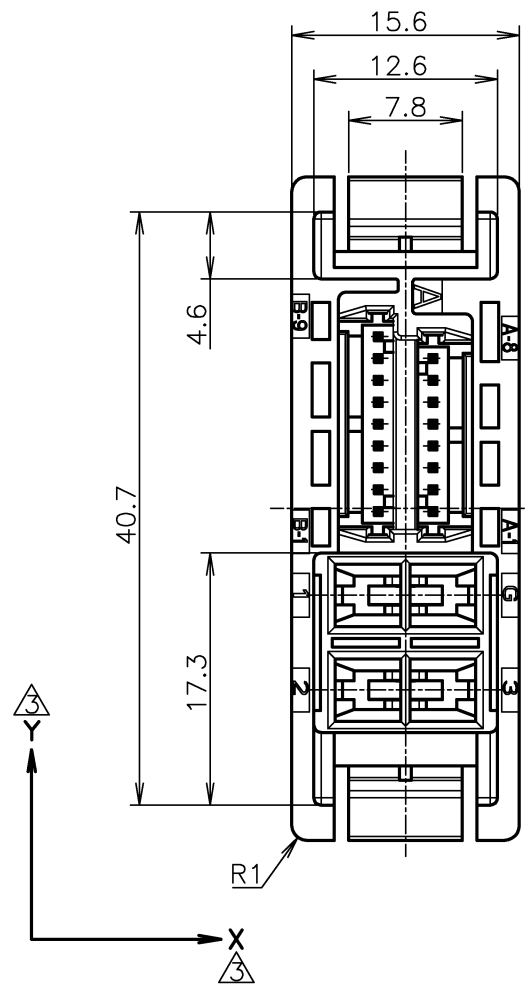
A

D

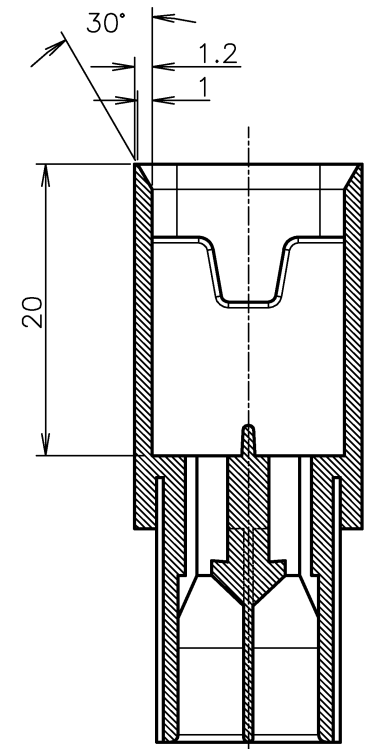
C

B

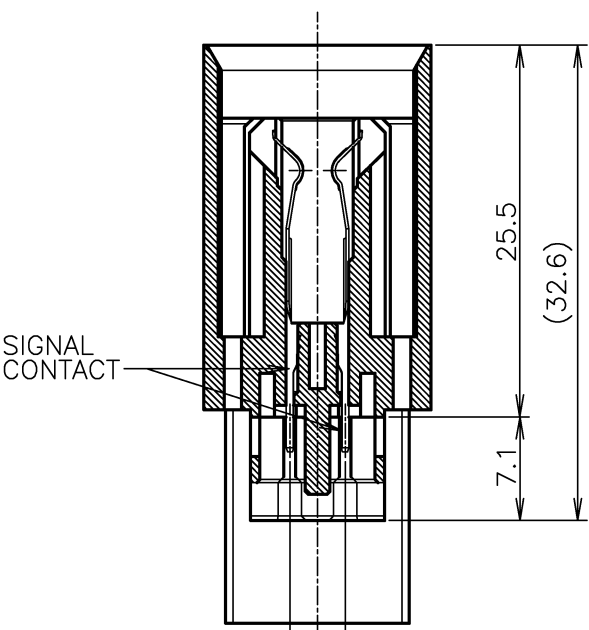
A



PANEL CUT DIMENSION(VIEW B)



SECT. C-C



SECT. D-D

- NOTE
- 1 GENERAL TOLERANCE : $\pm 0.3, \pm 3^\circ$
 - 2 MATERIAL
 SIGNAL CONTACT : PHOSPHOR BRONZE
 HOUSING : PBT G.F, UL94V-0, COLOR:BLACK
 - 3 FLOATING DIM. : X DIRECTION: ± 0.3
 Y DIRECTION: ± 0.3
 - 4 MATING CONNECTOR: 2040339-1, 2040339-2
 - 5 RECOMMENDED TAB CONTACT: 1981377-2(Au PLATING)
 1-1981377-2(PRE-TIN)

2040340-1:AS SHOWN

OPTION	1.0 ± 0.1
OPTION	1.2 ± 0.1
2040340-1	2.0 ± 0.1
P/N	DIMENSION "A" (PANEL THICKNESS)

THIS DRAWING IS A CONTROLLED DOCUMENT.		DWN M.KATO	22APR2008	Tyco Electronics Corporation Kawasaki, Japan	
DIMENSIONS: 単位: 精 mm		CHK T.YAMADA	22APR2008	NAME 名称	
TOLERANCES UNLESS OTHERWISE SPECIFIED: 一般公差		APVD T.YAMADA	22APR2008	PLUG ASSY 1.5mm PITCH MINI CT SNAP-FIT HYBRID DRAWER CONNECTOR, SLIM TYPE 4-17Pos.	
0 PLC ± - 1 PLC ± - 2 PLC ± - 3 PLC ± - 4 PLC ± - ANGLES ± -		PRODUCT SPEC 製品規格 108-78540	SIZE A3		CAGE CODE 00779
MATERIAL 材料		FINISH 仕上	DRAWING NO 番号 G-2040340		RESTRICTED TO
		CUSTOMER DRAWING		SCALE 尺度 2:1	SHEET 1 OF 1
				REV B	