



SMP Series

SMP MIL standard compliant Coaxial Connector Supporting 40GHz

◆ Features

1. Complies with MIL-STD-348B Standard
2. Supports up to 40GHz frequency
3. User-friendly push-on type
4. Wide variations

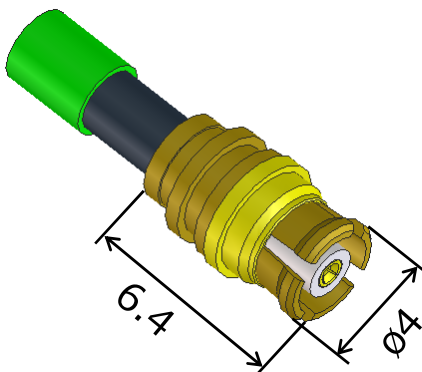
◆ Dimensions & RF Data

■ Cable assembly

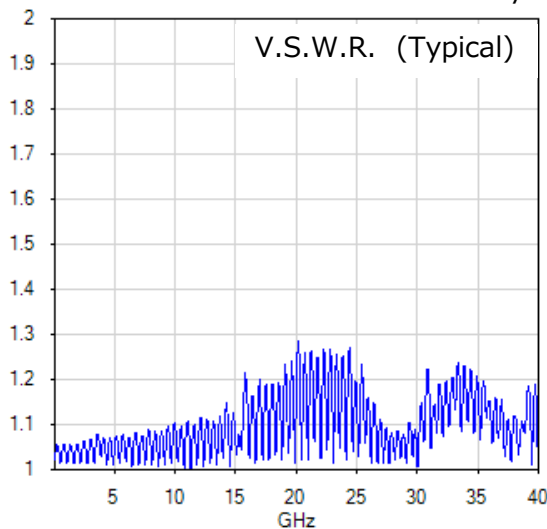
<Straight jack> **[Under development]**

Part Number	HRS No.
SMP-J-SF085	338-1100-0

Flexible cable assembly /0.085 inch



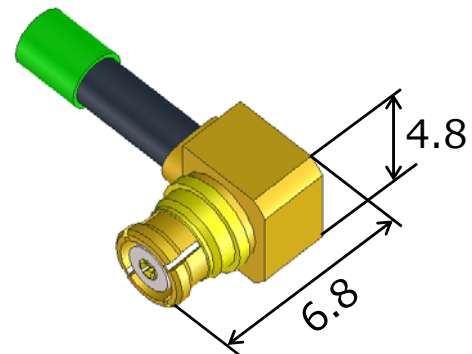
SMP-J-SF085 Both ends cable assy.



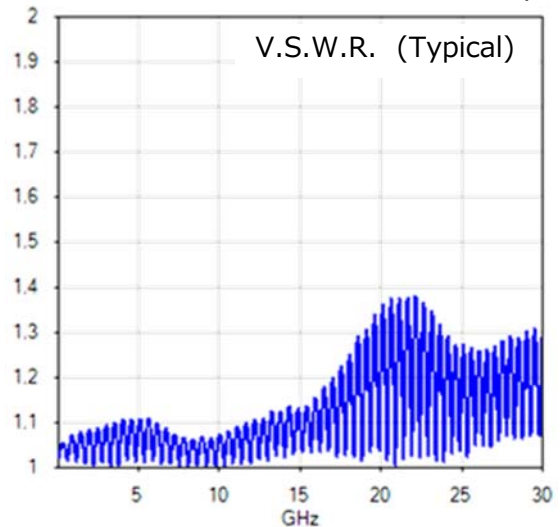
<Right angle jack> **[Under development]**

Part Number	HRS No.
SMP-LJ-SF085	338-1101-0

Flexible cable assembly /0.085 inch



SMP-LJ-SF085 Both ends cable assy.



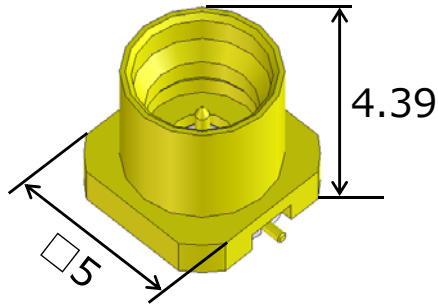
Specifications herein are subject to change without notice. Please contact Hirose for the latest specifications, drawings and availabilities.

Aug.1.2018 Copyright 2018 HIROSE ELECTRIC CO., LTD. All Rights Reserved.

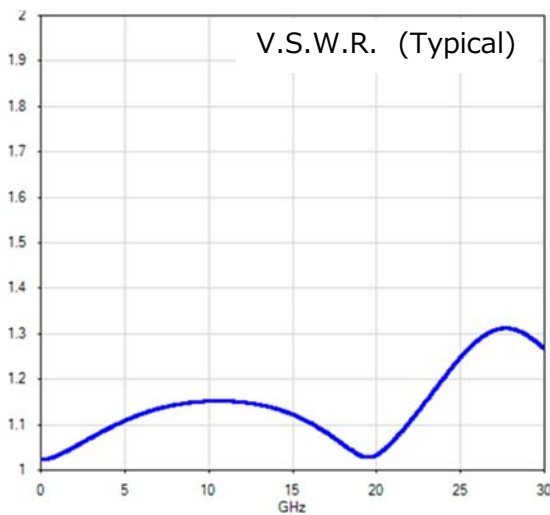
■ Receptacle

<Straight>

Part Number	HRS No.
SMP-PR(FD)-SMT-1	338-1102-0
SMP-PR(LD)-SMT-1	338-1103-0
SMP-PR(SB)-SMT-1	338-1104-0



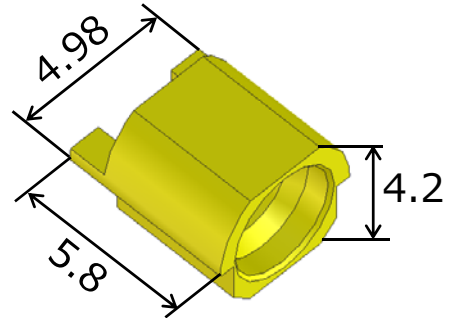
SMP-PR(**)-SMT-1



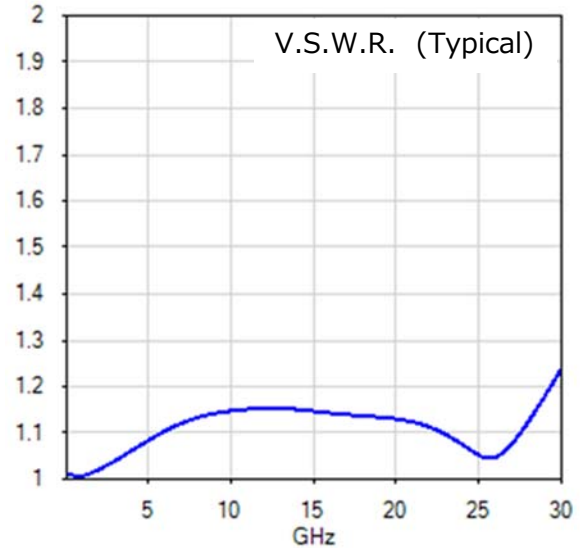
<Right angle>

[Under development]

Part Number	HRS No.
SMP-LPR(FD)-SMT-1	338-1105-0
SMP-LPR(LD)-SMT-1	338-1107-0
SMP-LPR(SB)-SMT-1	338-1108-0



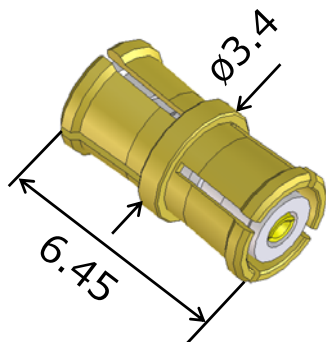
SMP-LPR(**)-SMT-1



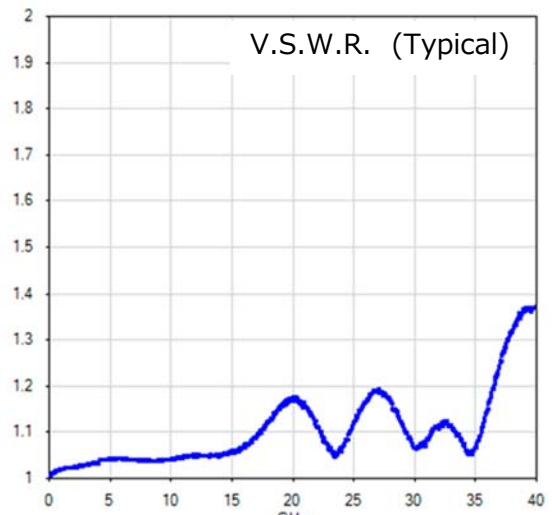
■ Adaptor

<Jack-Jack> [Under development]

Part Number	HRS No.
SMP-A-JJ-645	338-1106-0



SMP-A-JJ-645



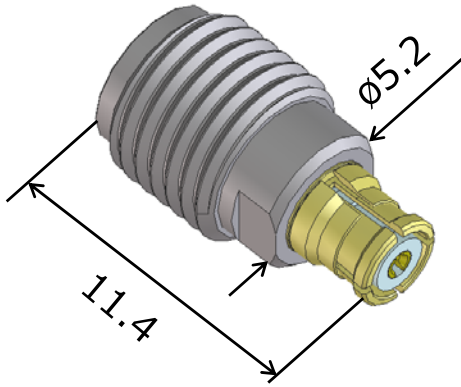
Specifications herein are subject to change without notice. Please contact Hirose for the latest specifications, drawings and availabilities.

Aug.1.2018 Copyright 2018 HIROSE ELECTRIC CO., LTD. All Rights Reserved.

■ Conversion adaptor

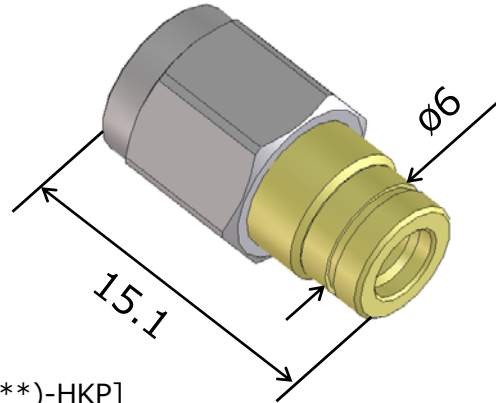
<SMP · Jack -2.92mm · Jack>

Part Number	HRS No.
SMPJ-HKJ	311-0013-0

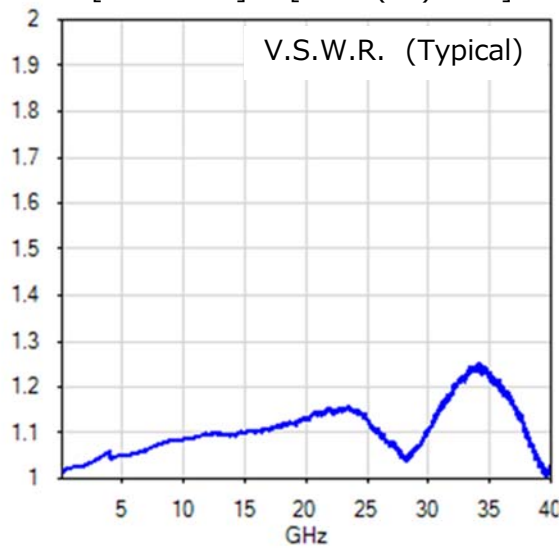


<SMP · Plug -2.92mm · Plug>

Part Number	HRS No.
SMPP(FD)-HKP	311-0199-0
SMPP(SB)-HKP	311-1001-0



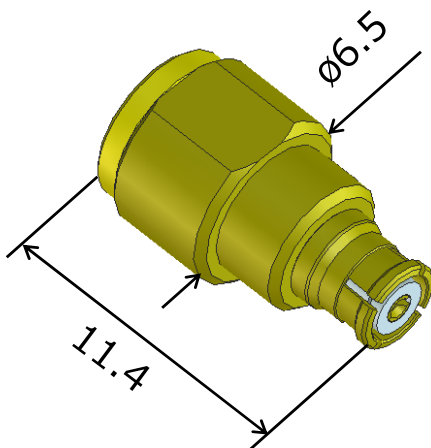
[SMPJ-HKJ] + [SMPP(**)-HKP]



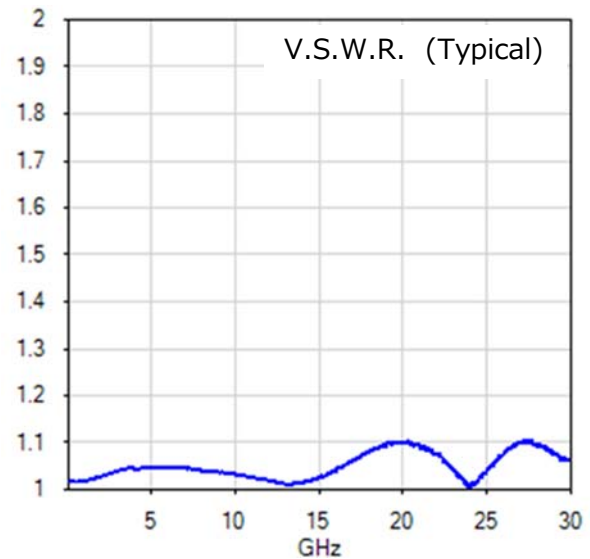
■ Terminator

<Jack>

Part Number	HRS No.
SMP-TMJ	353-0024-0



SMP-TMJ



Specifications herein are subject to change without notice. Please contact Hirose for the latest specifications, drawings and availabilities.

◆ Specifications

■ Cable assembly

	[Under development]	[Under development]
	SMP-J-SF085	SMP-LJ-SF085
Contact Resistance	Center : 6mΩ Max., Outer : 6mΩ Max [100mA DC]	
Withstanding Voltage	500V AC, for 1 minute (Current leakage 2mA Max.)	
Insulation Resistance	1000MΩ Min. (500V DC)	
Durability	100 times	
Characteristic Impedance	50Ω	
V.S.W.R.	1.3 Max. [0 to 15GHz]	1.3 Max. [0 to 15GHz]
	1.5 Max. [15 to 40GHz]	1.5 Max. [15 to 30GHz]

■ Receptacle

	[Under development]	
	SMP-PR(**)-SMT-1	SMP-LPR(**)-SMT-1
Contact Resistance	Center : 10mΩ Max., Outer : 5mΩ Max. [100mA DC]	Center : 6mΩ Max., Outer : 6mΩ Max. [100mA DC]
Withstanding Voltage	500V AC, for 1 minute (Current leakage 2mA Max.)	
Insulation Resistance	500MΩ Min. (250V DC)	1000MΩ Min. (500V DC)
Durability	FD:100 times / LD:500 times / SB:1000 times	
Characteristic Impedance	50Ω	
V.S.W.R.	1.5 Max. [0 to 30GHz]	1.2 Max. [0 to 6GHz]
		1.35 Max. [6 to 25GHz]
		1.5 Max. [25 to 30GHz]

■ In-line adaptor

	[Under development]	
	SMP-A-JJ-645	
Contact Resistance	Center : 10mΩ Max., Outer : 5mΩ Max. [100mA DC]	
Withstanding Voltage	250V AC, for 1 minute (Current leakage 2mA Max.)	
Insulation Resistance	1000MΩ Min. (500V DC)	
Durability	500 times	
Characteristic Impedance	50Ω	
V.S.W.R.	1.2 Max [0 to 15GHz]	
	1.3 Max [15 to 22GHz]	
	1.4 Max [22 to 35GHz]	
	1.65 Max [35 to 40GHz]	

Specifications herein are subject to change without notice. Please contact Hirose for the latest specifications, drawings and availabilities.

■ Conversion adapter

	SMPJ-HKJ	SMPP(**)-HKP
Contact Resistance	Center : 12mΩ Max., Outer : 12mΩMax [100mA DC]	
Withstanding Voltage	500V AC, for 1 minute (Current leakage 2mA Max.)	
Insulation Resistance	500MΩ Min. (250V DC)	
Durability	100 times	
Characteristic Impedance	50Ω	
V.S.W.R.	1.15 Max. [0 to 10GHz]	
	1.25 Max. [10 to 30GHz]	
	1.38 Max. [30 to 40GHz]	

■ Terminator

	SMP-TMJ
Durability	100 times
Characteristic Impedance	50Ω
V.S.W.R.	1.15 Max. [0 to 15GHz]
	1.2 Max. [15 to 25GHz]
	1.25 Max. [25 to 30GHz]

◆ Specifications (supplement)

■ **

FD	Full Detent
LD	Limited Detent
SB	Smooth Bore

Ex) SMP-PR(**)-SMT-1