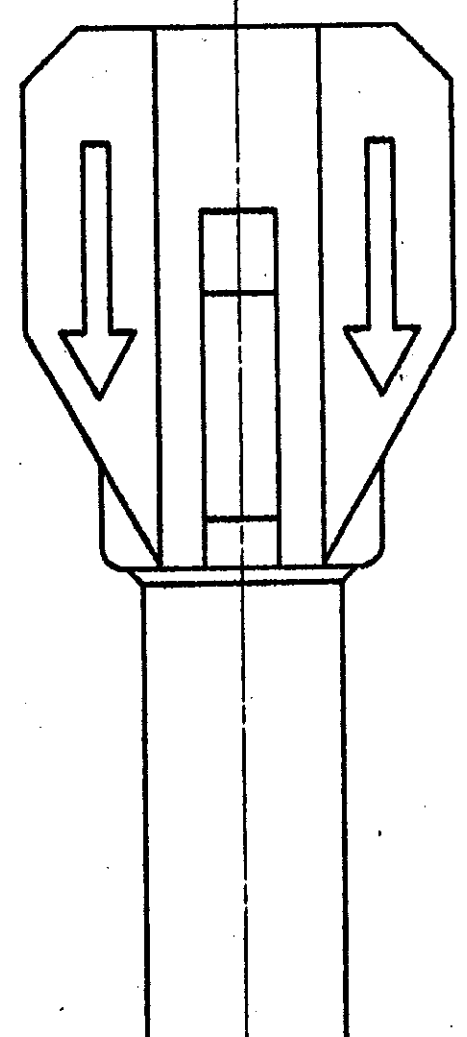
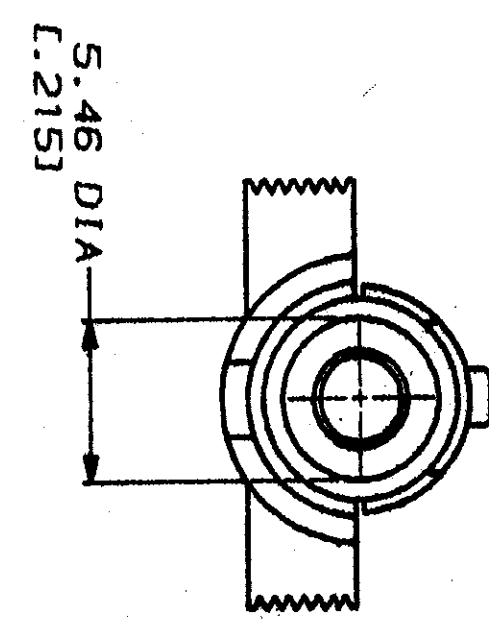
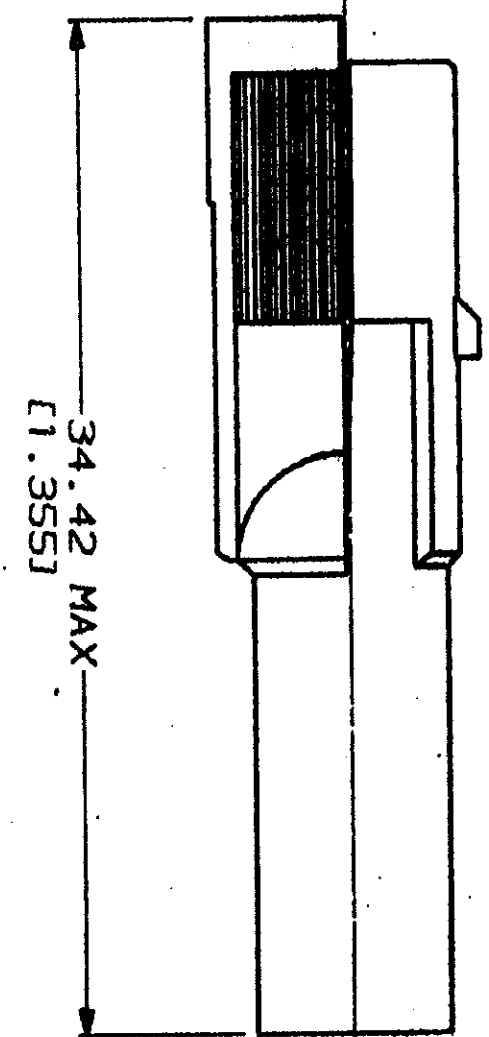
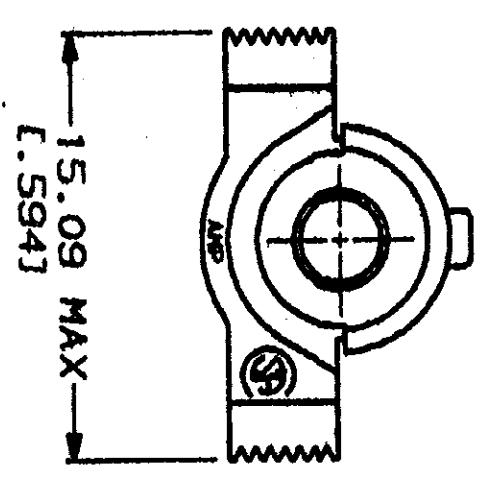


DRAWING MADE IN WINDMILL COLLECTION
 THIS DRAWING IS UNPUBLISHED. RELEASED FOR PUBLICATION
 BY AMP INCORPORATED. ALL INTELLECTUAL RIGHTS RESERVED.
 © COPYRIGHT BY AMP

REV. NO.	DATE	APPRO.
1	8-14-91	-

REV. NO.	DESCRIPTION	DATE	APPRO.
1	REDRAWN	8-14-91	-



OBsolete	GREEN	207535-3
OBsolete	BLUE	207535-2
	RED	207535-1
	COLOR	PART NUMBER

1. PRODUCT PERFORMANCE IN COMPLIANCE WITH APPLICABLE PORTIONS OF AMP PRODUCT SPECIFICATION 108-10033.

DO NOT SCALE PRINT. DIMENSIONS SPECIFIED UNLESS OTHERWISE INDICATED. TOLERANCES UNLESS OTHERWISE SPECIFIED: DIMENSIONS IN MILLIMETERS: DECIMALS: 0.05 (0.0025) FRACTIONS: 1/16 (0.0625) DIMENSIONS IN INCHES: DECIMALS: 0.005 (0.127) FRACTIONS: 1/32 (0.03125)		OR 8-14-91 J. BALUCHI AS DATE	
MATERIAL: THERMOPLASTIC COLOR: SEE TABLE		DRAWN BY: J. BALUCHI CHECKED BY: J. BALUCHI DATE: 8-14-91	
FINISH: -		APP. NO.: 207535-1	
SCALE: 4:1		SHEET: 1 OF 1	