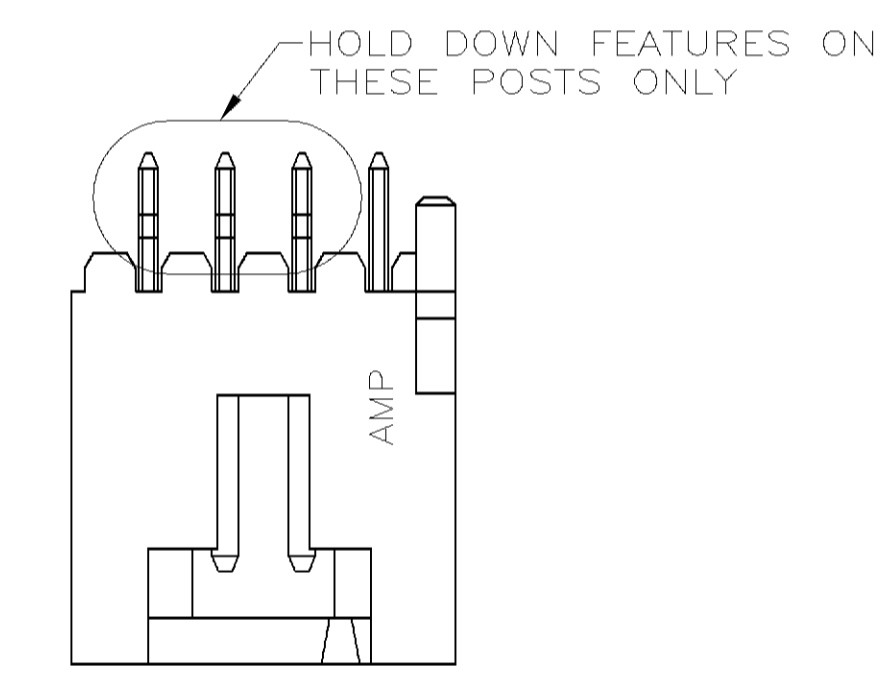
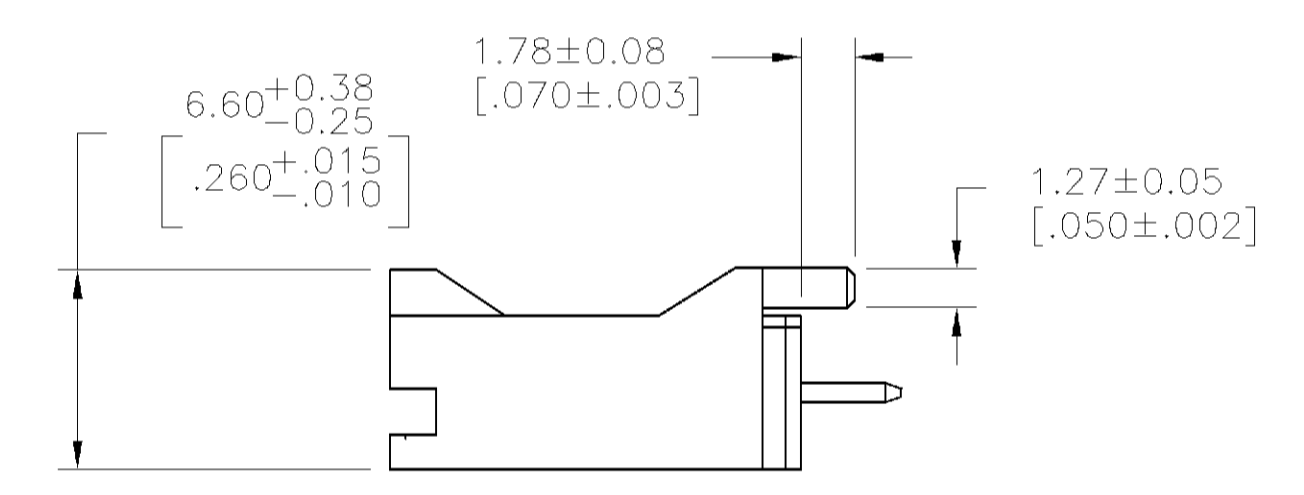
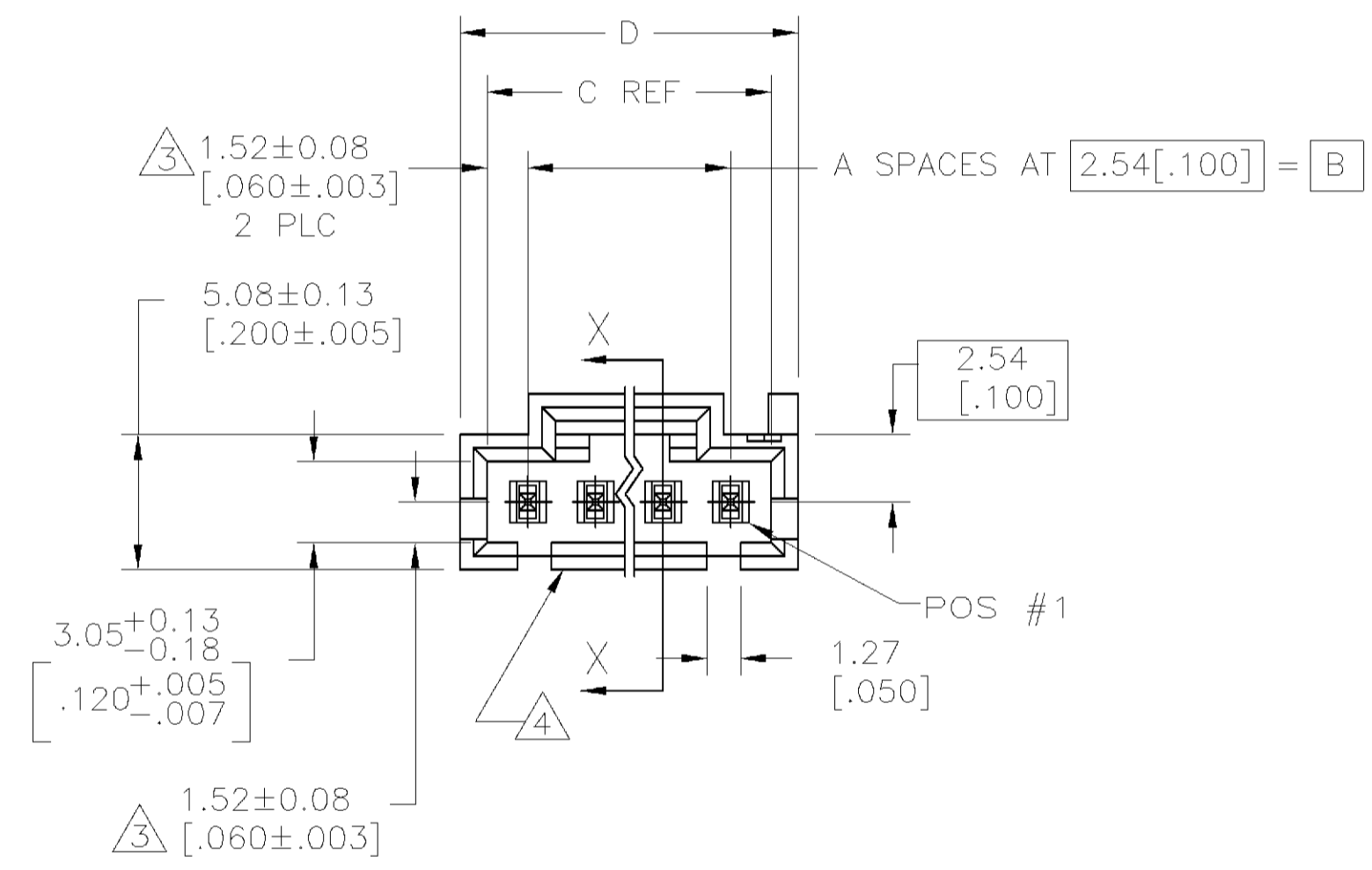
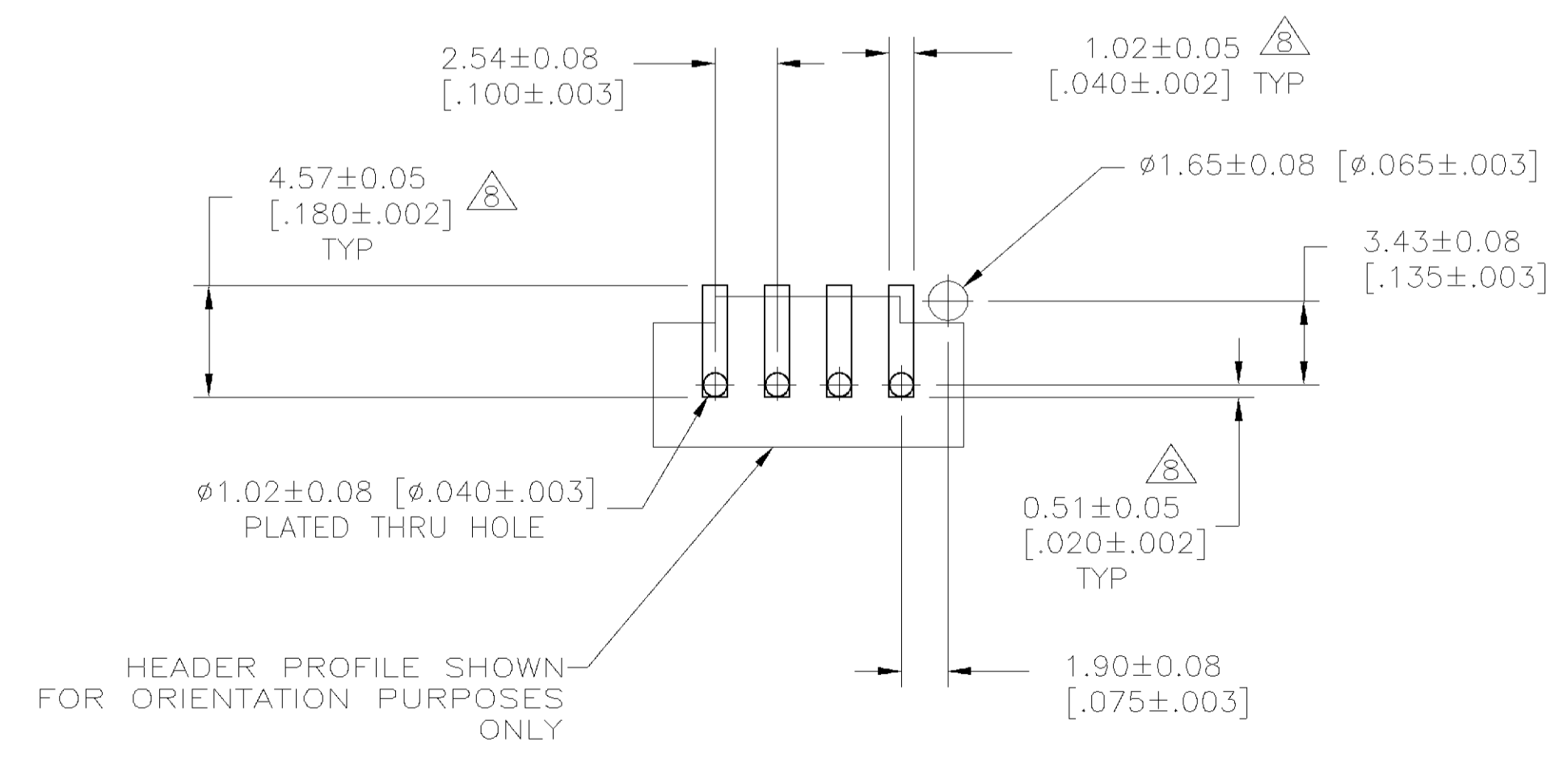


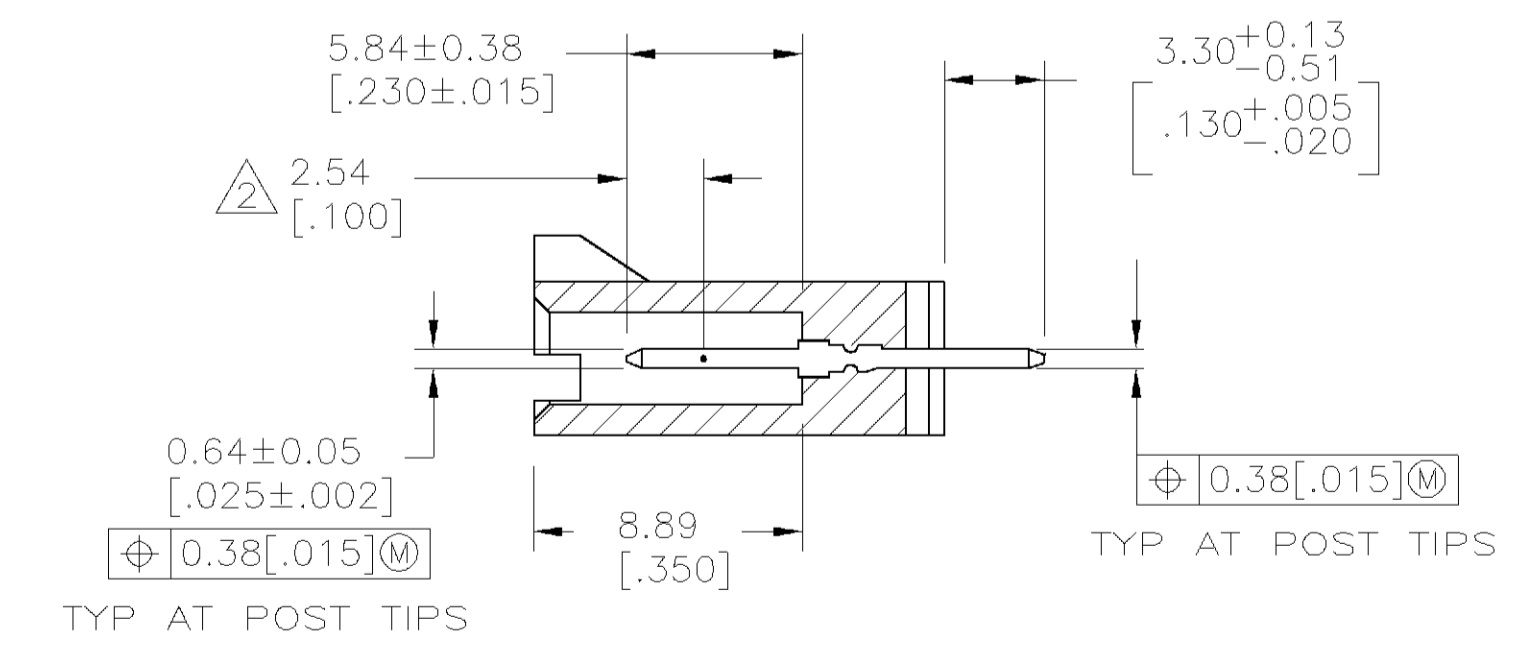
- ① 0.00254-0.00508 [.000100-.000200] TIN OVER
0.00127 [.000050] NICKEL.
- ② POINT OF MEASUREMENT FOR PLATING THICKNESS
- ③ THESE DIMENSIONS APPLY WHERE THE POST INTERSECTS THE HOUSING
- ④ ON ASSEMBLIES WITH FOUR OR MORE POSITIONS, TWO POLARIZATION SLOTS.
- ⑤ SELECT POST TAILS FORMED TO PROVIDE CONNECTOR HOLD DOWN UNTIL SOLDERED (SEE DETAIL Z).
- ⑥ MATERIAL: HOUSING- HIGH TEMP THERMOPLASTIC, COLOR-SEE TABLE.
POSTS- BRASS.
- ⑦ PRELIMINARY PART - NOT RELEASED FOR PRODUCTION.
- ⑧ DIMENSIONS NOTED ARE FOR SOLDER STENCIL LAYOUT USE WITH $1.58 \pm 0.20 [0.062 \pm .008]$ THICK PRINTED CIRCUIT BOARDS.



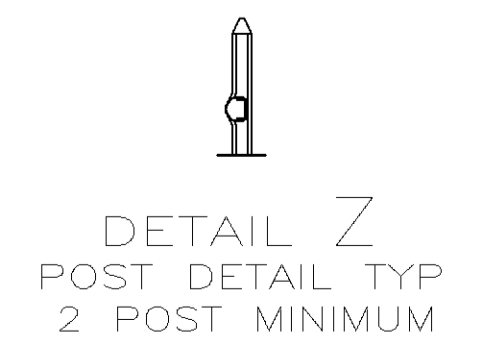
HOLD DOWN CONFIGURATION FOR 4 POSITION ASSEMBLY ONLY



RECOMMENDED PC BOARD MOUNTING DIMENSIONS
RECOMMENDED STENCIL THICKNESS = 0.25 [.010]



SECTION X-X



①	15.24 [.600]	13.21 [.520]	10.16 [.400]	4	5	1571194-4
②	12.7 [.500]	10.67 [.420]	7.62 [.300]	3	4	1571194-3
③	10.16 [.400]	8.13 [.320]	5.08 [.200]	2	3	1571194-2
④	7.62 [.300]	5.59 [.220]	2.54 [.100]	1	2	1571194-1
	D	C	B	A	NO OF POSN	ASSEMBLY PART NUMBER

THIS DRAWING IS A CONTROLLED DOCUMENT.

APPROVED BY: R. BROWN	DATE: 02JAN02	AMP Tyco Electronics Corporation Harrisburg, PA 17105-3608
DESIGNED BY: J. GESFORD	DATE: 02JAN02	
DIMENSIONS: MM	TOLERANCES UNLESS OTHERWISE SPECIFIED:	NAME: HEADER ASSY, AMPMODU MTE, VERTICAL, WITH LATCH, SINGLE ROW, .100 CL, .025 SQ POSTS, PCB ORIENTATION, RETENTIVE POSTS, SPECIAL PLATING
0 PLC ± -	1 PLC ± -	PRODUCT SPEC: 108-25034
2 PLC ± -	3 PLC ± 0.38 [.005]	APPLICATION SPEC: -
4 PLC ± -	ANGLES ± -	SIZE: A1
MATERIAL: SEE NOTE 6	FINISH: SEE NOTE 1	WEIGHT: -
CUSTOMER DRAWING		SCALE: 4:1
		SHEET 1 OF 1
		REV 0