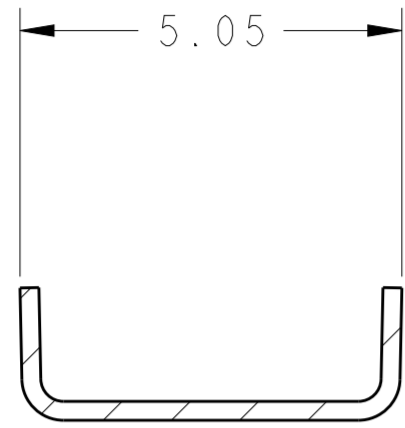
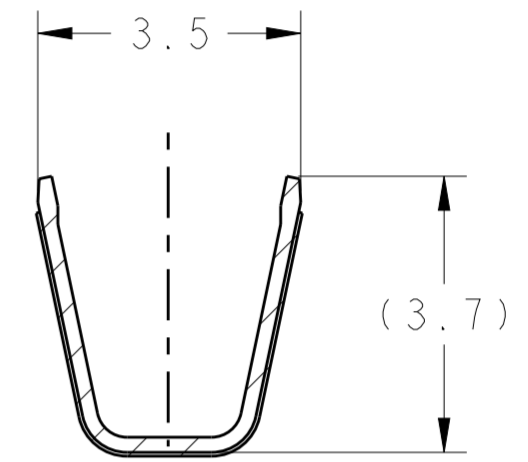
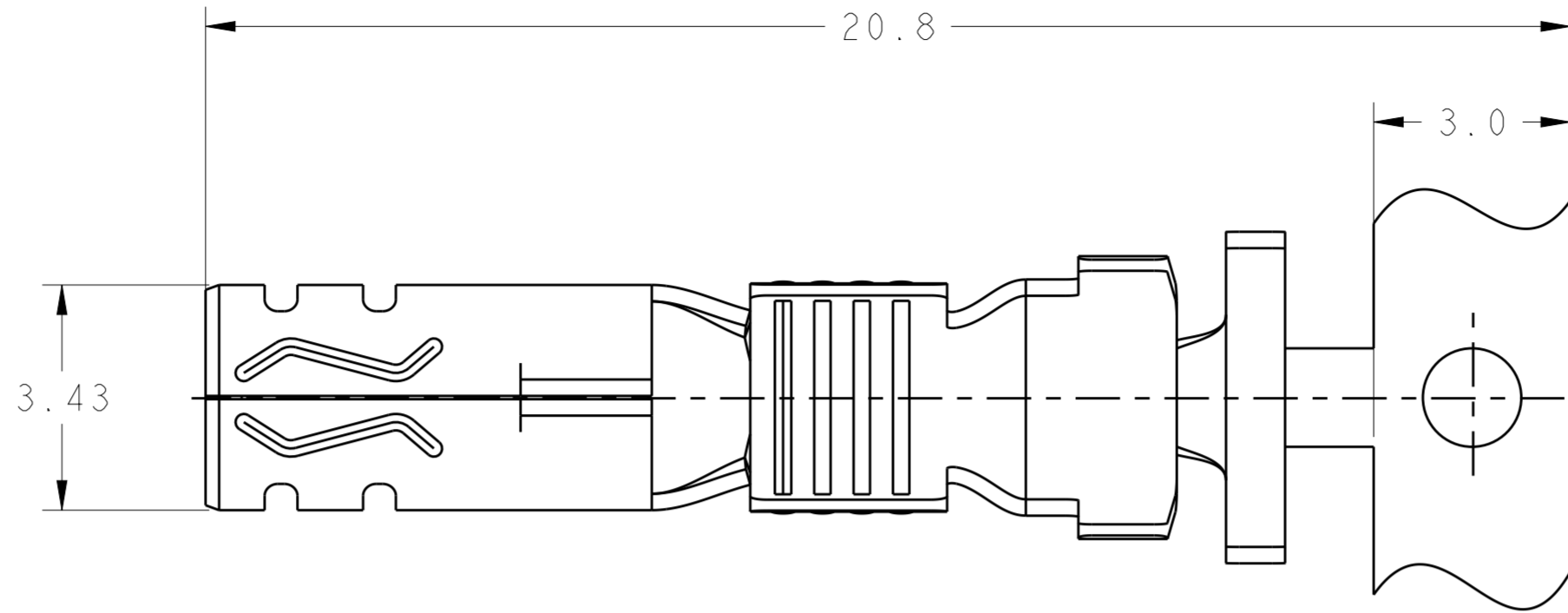


THIS DRAWING IS UNPUBLISHED. RELEASED FOR PUBLICATION 20
 © COPYRIGHT 20 BY - ALL RIGHTS RESERVED.

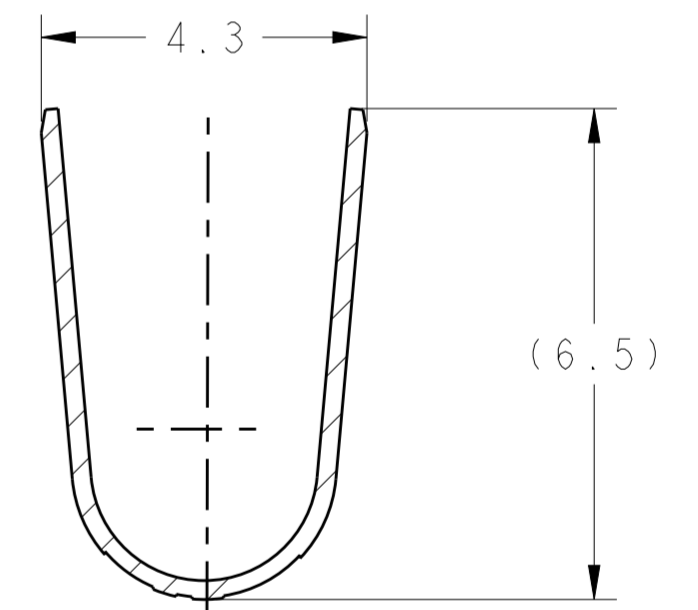
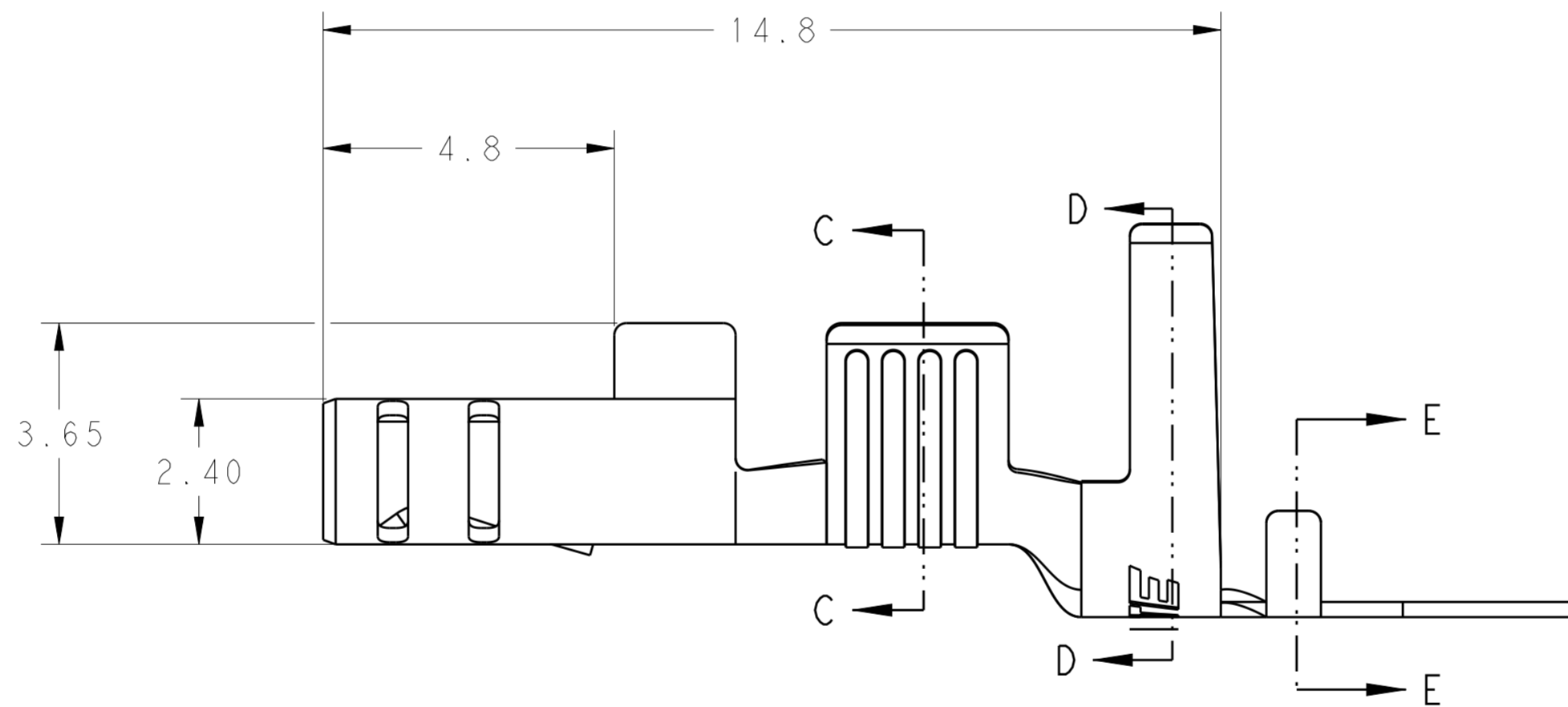
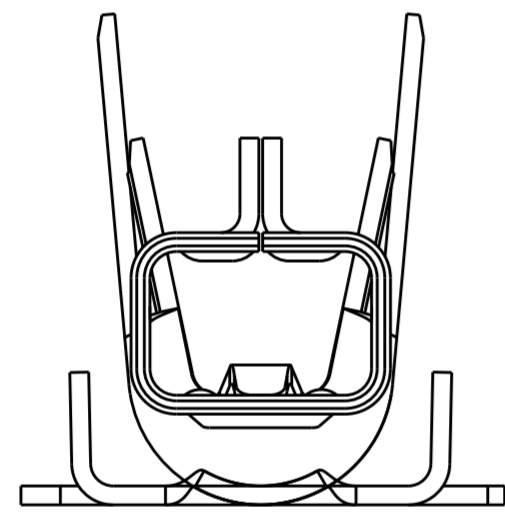
REVISIONS				
P	LTR	DESCRIPTION	DATE	APVD
D1		REVISED PER ECR-16-017426	19DEC2016	BW RS



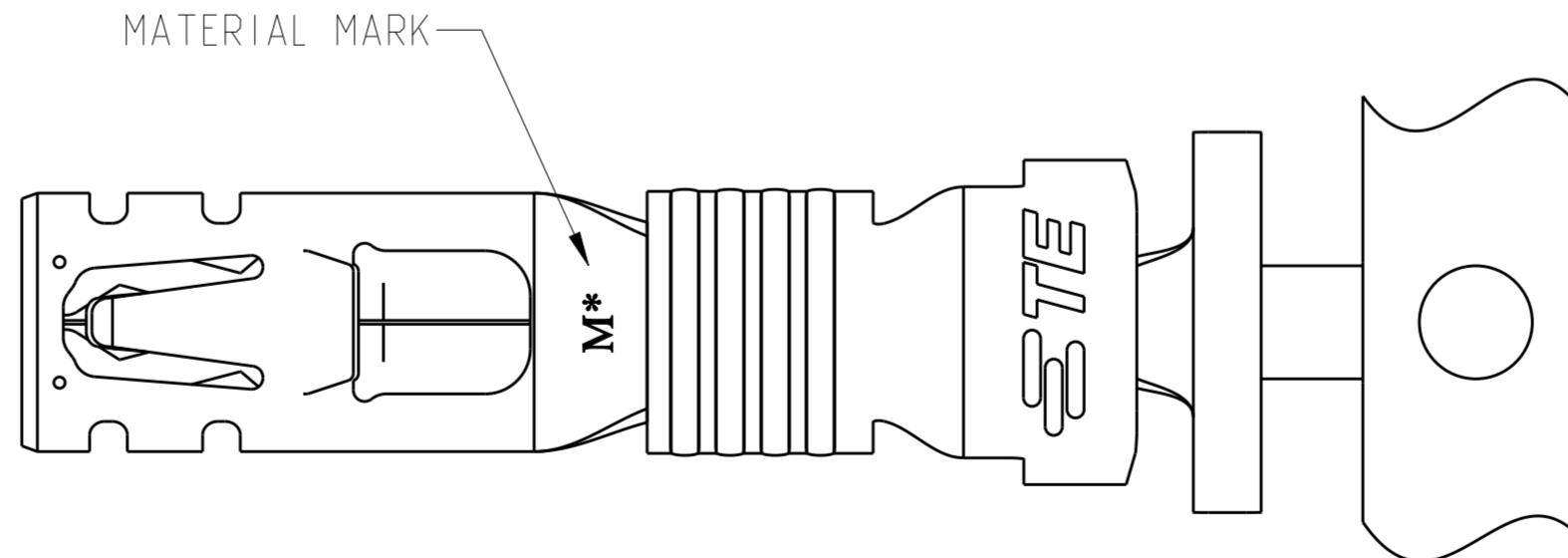
SECTION E-E



SECTION C-C



SECTION D-D



1 MATERIAL: COPPER ALLOY, PRE TIN PLATING.

2 APPLICABLE MATED PLUG HOUSING P/N:
-1971773-/*-1971776-*/*-1971876-*/
/*-2232265-*/*-2232266-*/*-2232357-*

3 APPLICABLE WIRE: 2x18AWG COPPER STRANDED

4 APPLICABLE INSULATION DIAMETER: 2.65~2.95mm

5 THIS PRODUCT HAS NOT COMPLETED VALIDATION TESTING.

HIGH(150°C)	M0	1971787-2
STANDARD(105°C)	M4	1971787-1
TEMP. RATING	MATERIAL MARK	PART NO

THIS DRAWING IS A CONTROLLED DOCUMENT.		DWN TOMMY WU 11 JUL 2012	STE TE Connectivity	
DIMENSIONS: mm		CHK HAPYE WU 11 JUL 2012		
TOLERANCES UNLESS OTHERWISE SPECIFIED:		APVD YUHHONG MAO 11 JUL 2012	NAME RECEPTACLE CONTACT POWER TRIPLE LOCK	
0 PLC ±		PRODUCT SPEC 108-106118	SIZE CAGE CODE DRAWING NO RESTRICTED TO	
1 PLC ±0.5		APPLICATION SPEC 114-106118	A200779 C-1971787	
2 PLC ±0.30		WEIGHT -	SCALE 5:1 SHEET 1 OF 1 REV D1	
3 PLC ±		Customer Drawing		
4 PLC ±				
ANGLES ±				
FINISH				