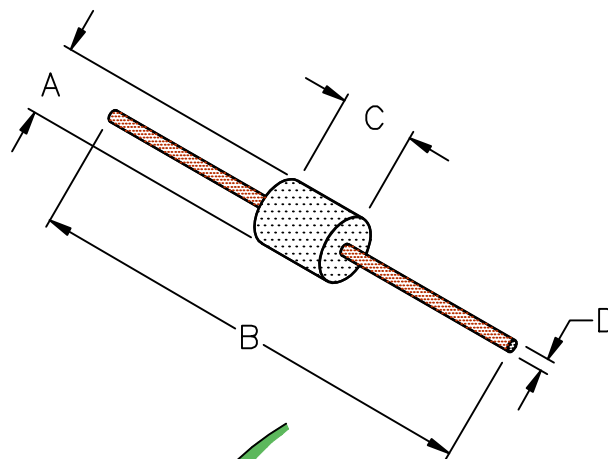


# 28L0138-10R-10

## PHYSICAL DIMENSIONS:

A	3.51	[.138]	+ 0.25	[.010]
B	59.00	[2.323]	+ 1.57	[.062]
C	4.45	[.175]	+ 0.25	[.010]
D	0.64	[.025]	+ 0.05	[.002]

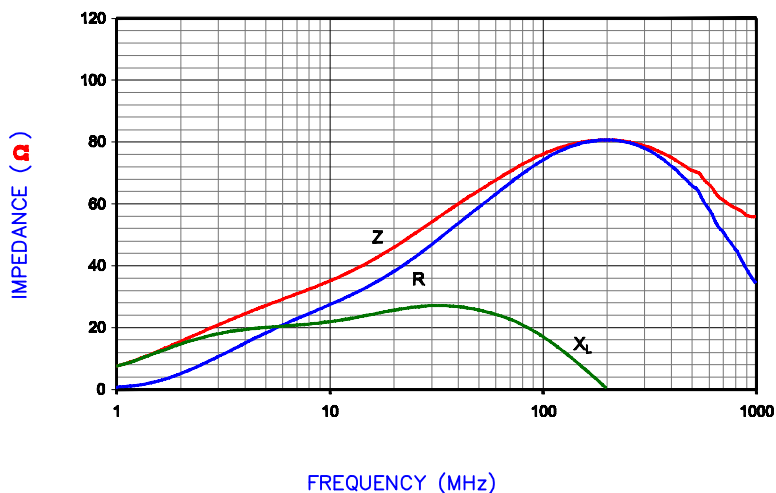


## ELECTRICAL CHARACTERISTICS:

	Z ( $\Omega$ ) @		DCR ( $\Omega$ )	Rated Current
	25 MHz	100MHz		
Nominal	45	75		
Minimum	—	56		
Maximum	—	94	0.01	5,000 mA

**UNCONTROLLED  
DOCUMENT**

|Z|, R, AND X vs. FREQUENCY



**Z**      **R**      **X<sub>L</sub>**

NOTES: UNLESS OTHERWISE SPECIFIED

1. TAPED AND REELED per CURRENT EIA SPECIFICATIONS 14" REELS, 4500 PCS/REEL.
2. COMPONENTS SHOULD BE ADEQUATELY PREHEATED BEFORE SOLDERING.
3. WIRE: C10200 OXYGEN FREE COPPER (99.95 MIN.) 22AWG (.025 DIA.)
4. PLATING: 100% TIN  $5\mu \pm 2\mu$  [ $200\mu\text{in} \pm 80\mu\text{in}$ ]
5. WEIGHT/1000: .205 kgs. .452 lbs.
6. REFERENCE STEWARD CORE P/N 28B0138-\*00.

DIMENSIONS ARE IN mm [INCHES]				This print is the property of Laird Tech. and is loaned in confidence subject to return upon request and with the understanding that no copies shall be made without the written consent of Laird Tech. All rights to design or invention are reserved.	
J	UPDATE COMPANY LOGO	01/05/09	JRK	PROJECT/PART NUMBER: <b>28L0138-10R-10</b>	REV <b>J</b>
H	UPDATE COMPANY LOGO	04/20/07	JRK		
G	COR. REV BLOCK mm[INCHES] ADD ROHS	10/20/06	JRK		
F	CHANGE P/N (ADD -10) CHG NOTES 3 & 4 ON SHT2, ADD NO LEAD SYMBOL	10/14/03	JRK		
E	UPDATE FORMAT ADD NOTES,CHG CURRENT RATING	10/11/01	JRK		
D	ADDED (* NOTE & DIM) ON SHT 3of4 CORRECTED DIM *D* ON SHT 2 & 4	10/12/98	DTR	DRAWN BY: <b>DTR</b>	
C	UPDATE PRINT FORMAT	6/26/98	DTR		
B	MATCH REV. LEVEL ON 4 of 4	6/26/98	DTR		
REV	DESCRIPTION	DATE	INT		
				DATE: 6/26/98	SCALE: NTS
				CAD # 28L0138-10R-10-J-2	TOOL # B0138
				SHEET: <b>2 of 3</b>	

