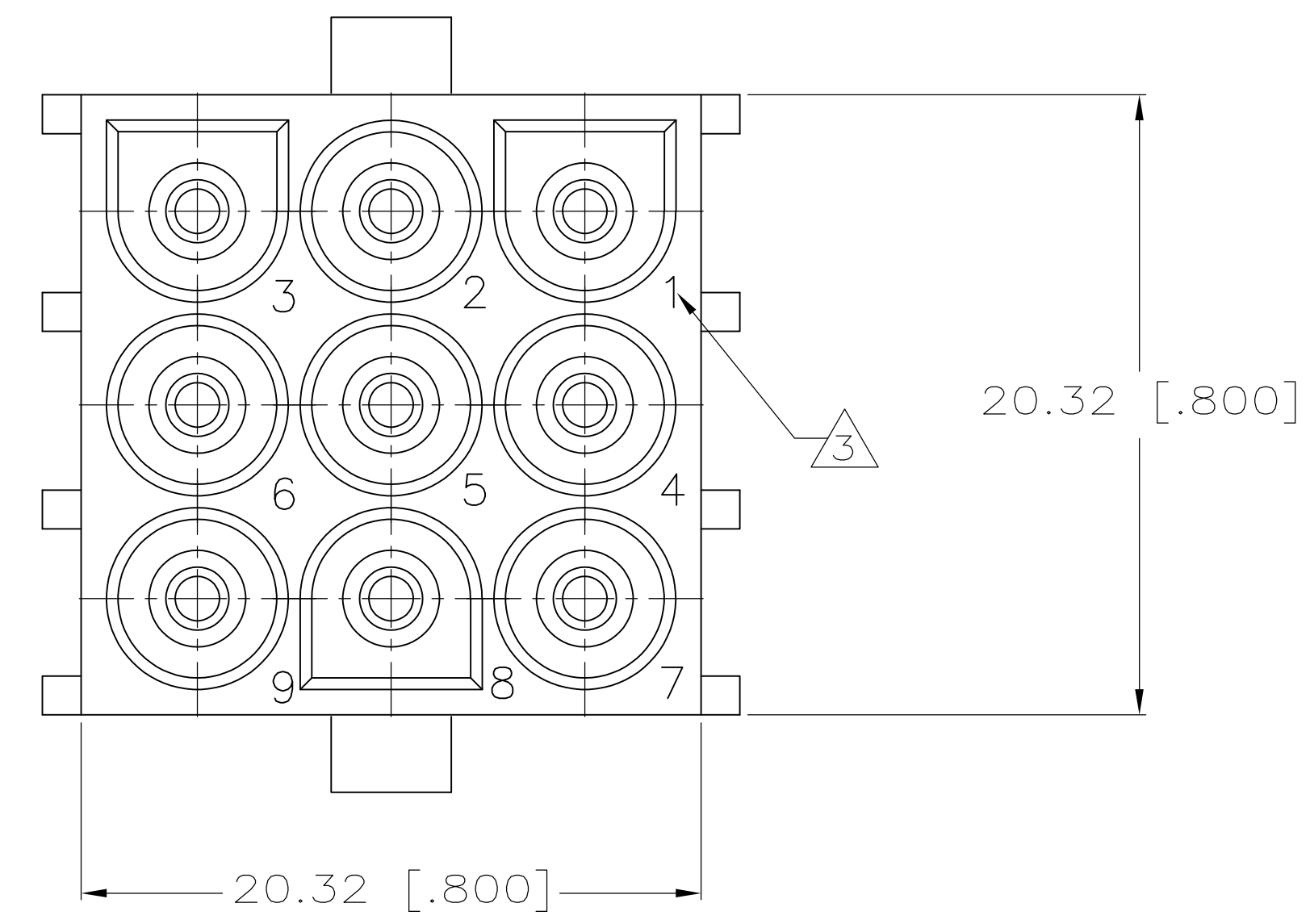
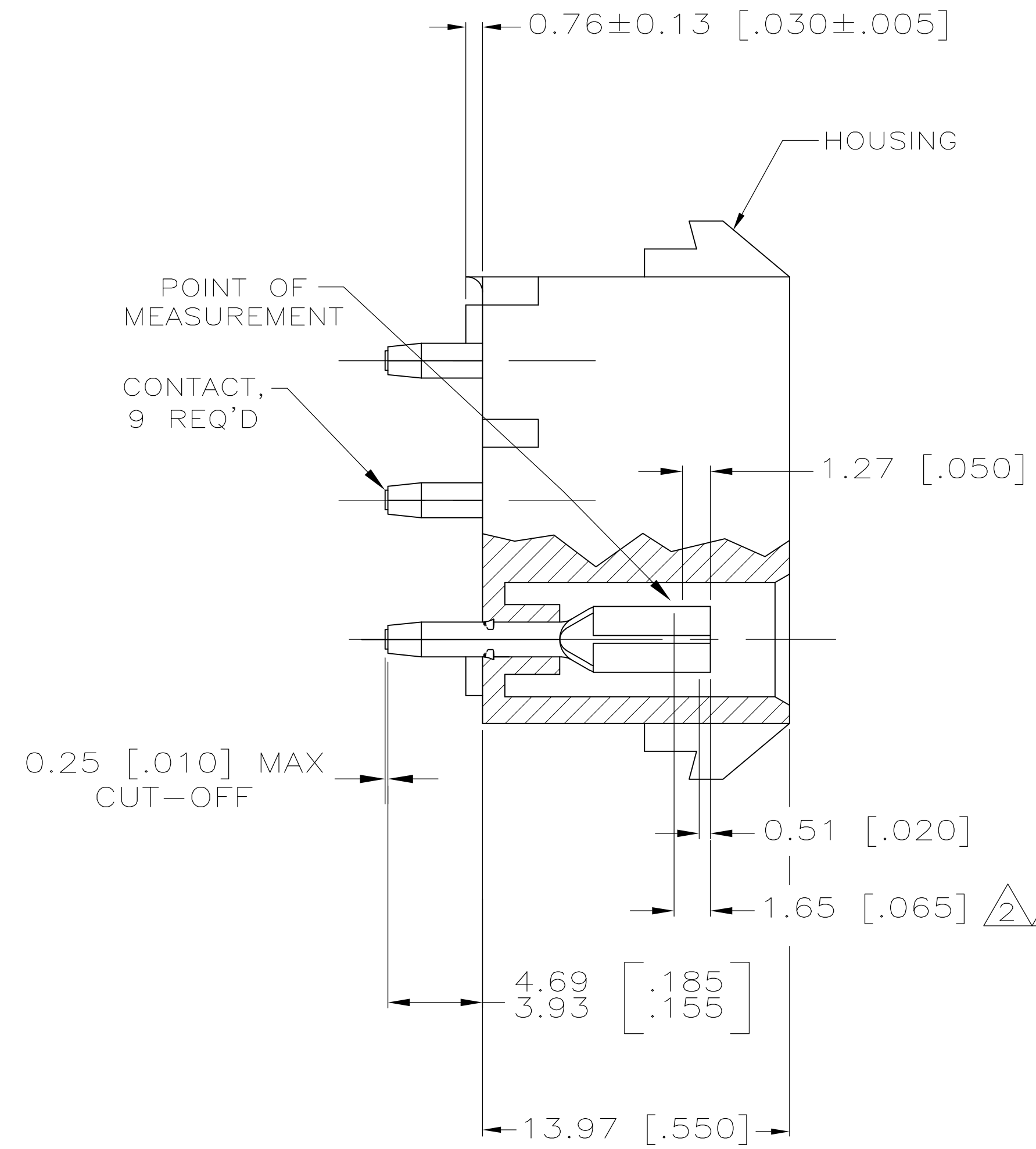
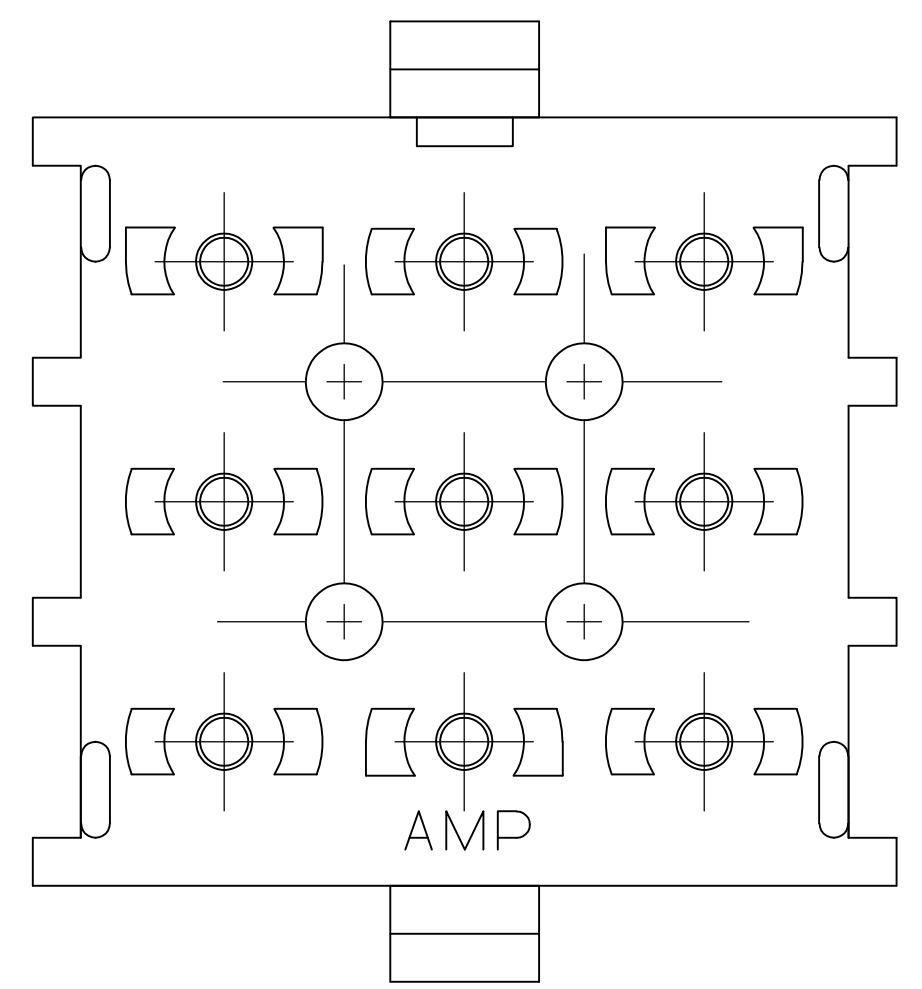
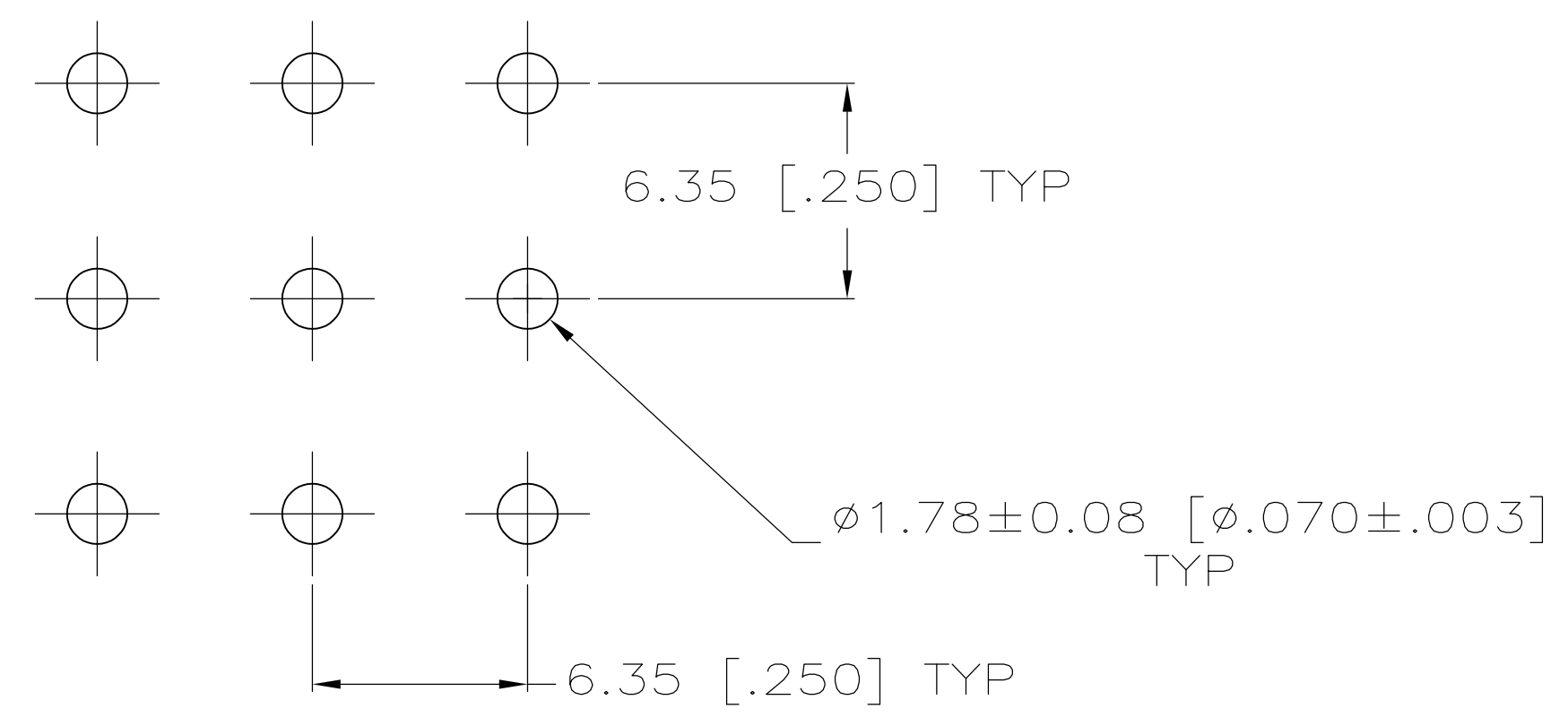


LOC		DIST		REVISIONS			
CM	00	REV	DATE	BY	CHK	APPV	
L1	REVISED PER ECR-12-011660	24JAN13		KH		TM	



- 1 PARTS COMPLY TO AMP SOLDERABILITY SPECIFICATION 109-11-3.
- 2 CONTACT IS STAMPED FROM PRE-PLATED STOCK WHICH IS PLATED OVERALL WITH 0.00127 [.000050] NICKEL, THEN STRIPED WITH 0.00076 [.000030] GOLD IN CONTACT AREA INDICATED AND TIN-LEAD ON SOLDER TAIL END.
- 3 CIRCUIT IDENTIFICATION CHARACTERS ARE ADJACENT TO THE INDICATED CAVITIES, BUT LOCATION AND ORIENTATION MAY DIFFER FROM PRINT.
- 4 CONTACT IS PLATED OVERALL WITH 0.00127 [.000050] NICKEL, THEN 0.00076 [.000030] GOLD OVER CONTACT LENGTH INDICATED AND MATTE TIN ON SOLDER TAIL END.
- 5 SUPERSEDED BY 350763-5



RECOMMENDED LAYOUT FOR 1.58 [.062] THICK PC BOARD

PH BRZ GOLD	4	NYLON, NATURAL	350763-5
PH BRZ TIN		NYLON, NATURAL	350763-4
PH BRZ GOLD	2	NYLON, NATURAL	350763-3
CONTACT		HOUSING	PART NO

DIMENSIONS:		TOLERANCES UNLESS OTHERWISE SPECIFIED:		APPROVED:		NAME:	
mm [INCHES]		0. PLC	±	DIN K. WHITAKER	11OCT2005	STE TE Connectivity	
		1. PLC	±	CHK S. RIDGILL	11OCT2005	9 CIRCUIT UNIVERSAL MATE-N-LOK (TM)	
		2. PLC	±	APPROVED S. RIDGILL	11OCT2005	P.C. BOARD SOCKET HEADER ASSEMBLY	
		3. PLC	± 0.13 [.005]	APPLICATION SPEC		SIZE	CAGE CODE DRAWING NO
		4. PLC	±	WEIGHT		A1	00779 C=350763
		ANGLES	±	CUSTOMER DRAWING		SCALE	5:1 SHEET 1 OF 1 REV L1