

D

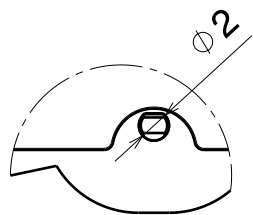
C

B

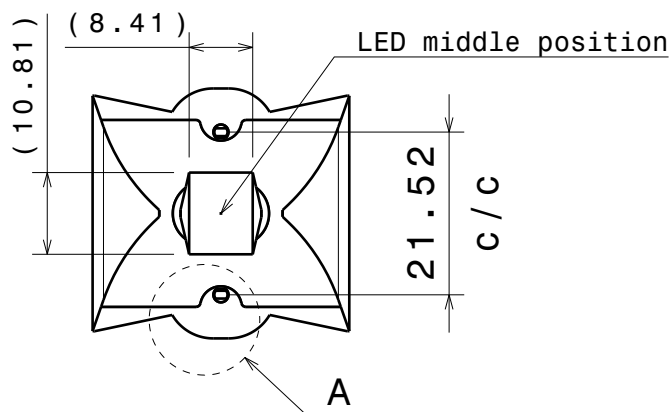
A

4

4

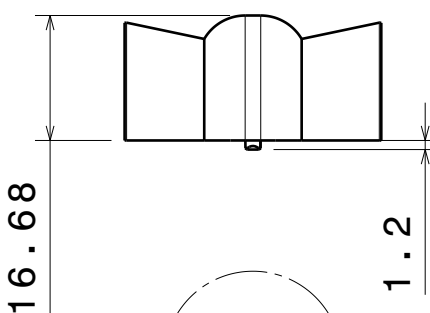
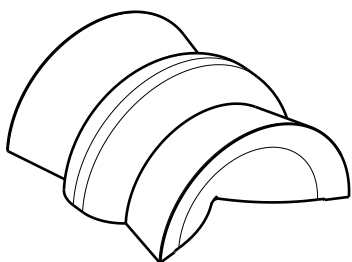


Detail A
Scale: 2:1



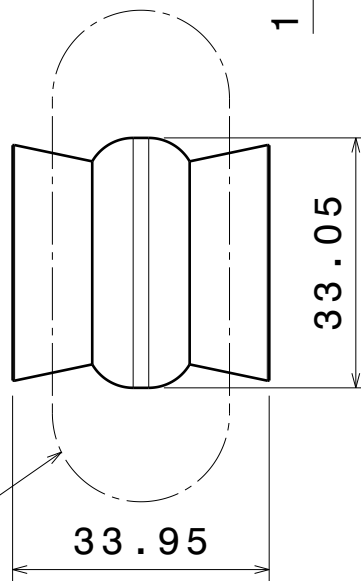
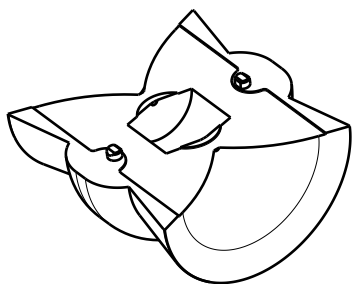
3

3



2

2



Light pattern direction

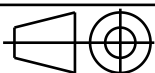
INDEX	PART NO	DESCRIPTION	MATERIAL	COLOUR
1	C12868	FLARE-MAXI	PMMA	

Tolerances if not otherwise shown
According to DIN ISO 2768-1
Linear measures:
up to 30mm class M, otherwise class C
According to DIN ISO 2768-2
Form and position: class L

LEDiL

Ledil Oy
Salorankatu 10
FIN 24240 SALO
Finland

THIRD ANGLE PROJECTION:



DRAWING TITLE

C12868_FLARE-MAXI

This drawing is the property of LEDiL Oy. It may not be reproduced, copied or communicated without a written agreement with LEDiL Oy. LEDiL Oy reserves the right to without prior notification make changes and improvements to its products.

SIZE PART NUMBER

A4

C12868

SCALE

1:1

WEIGHT

9,84 g

SHEET

1/1

D

A

1

1