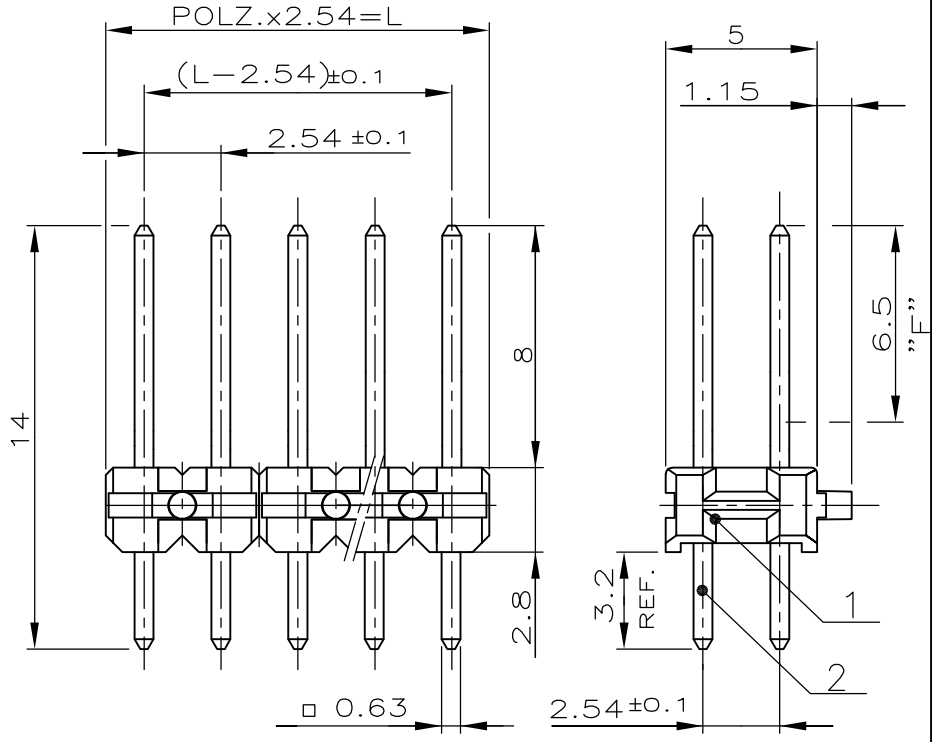


LOC	DIST	REVISIONS					
—	—	P	LTR	DESCRIPTION	DATE	DWN	APVD
		G		CONTACT PIN BASE MATERIAL & PLATING CHANGE	16JUN2014	KJK	JK

POS. PER ROW	L±0.5	PART NUMBER	
—	—	—	—
2	5.08	825-479-2	2
3	7.62	—	3
4	10.16	—	4
5	12.70	—	5
6	15.24	—	6
7	17.78	—	7
8	20.32	—	8
9	22.86	—	9
10	25.40	1—	—0
11	27.94	—1	—1
12	30.48	—1	—2
13	33.02	—1	—3
14	35.56	1—	—4
15	38.10	—1	—5
16	40.64	—1	—6
17	43.18	—1	—7
18	45.72	—1	—8
19	48.26	—1	—9
20	50.80	—2	—0
21	53.34	—2	—1
22	55.88	—2	—2
23	58.42	—2	—3
24	60.96	—2	—4
25	63.50	—2	—5
26	66.04	—2—	—6
27	68.58	—2—	—7
28	71.12	—2—	—8
29	73.66	—2—	—9
30	76.20	—3	—0
31	78.74	—3	—1
32	81.28	—3	—2
33	83.82	—3	—3
34	86.36	—3	—4
35	88.90	—3	—5
36	91.44	—3	—6
37	93.98	—3	—7
38	96.52	—3	—8
39	99.06	—3	—9
40	101.60	—4	—0
41	104.14	—4	—1
42	106.68	—4	—2
43	109.22	—4	—3
44	111.76	—4	—4
45	114.30	—4	—5
46	116.84	—4	—6
47	119.38	—4	—7
48	121.92	—4	—8
49	124.46	—4	—9
50	127.00	—5	825-479-0



NOTES:

- 1 MATING SIDE: MIN. 0.7µm PdNi + MIN. 0.1µm GOLD FLASH OVER 1.27µm NICKEL AT CONTACT AREA "F"
- SOLDER SIDE: MIN. 2.5µm TIN OVER 1.27µm NICKEL
- 2 OBSOLETE
- 3 OBSOLETE PARTS: OBSOLETE CIS STREAMLINING PER D.RENAUD/D.SINISI

2	CONTACT PIN	CuZn	1
1	PIN HOUSING	PBT	GREEN
ITEM NO	DESCRIPTION	MATERIAL	FINISH COLOR

THIS DRAWING IS UNPUBLISHED. ALL RIGHTS RESERVED. RELEASED FOR PUBLICATION.

DIMENSIONS: mm	DWN	21.08.84	MATERIAL	SEE TABLE	FINISH	—
	CHK	21.08.84	TE Connectivity			
TOLERANCES UNLESS OTHERWISE SPECIFIED: ±0.2 mm	A.HO					
0 PLC ± -	M.SCHAARSCHMIDT		APPLICATION SPEC	—		
1 PLC ± -	APVD		WEIGHT	—		
2 PLC ± -	—		NAME AMPMODU II PIN HEADER, DUAL ROW			
3 PLC ± -	—		SIZE	A4	CAGE CODE	00779
4 PLC ± -	—		DRAWING NO	C-825479		RESTRICTED TO
ANGLES ± -	—		—			
			CUSTOMER DRAWING			
			SCALE	4:1	SHEET	1 OF 1
			REV G			