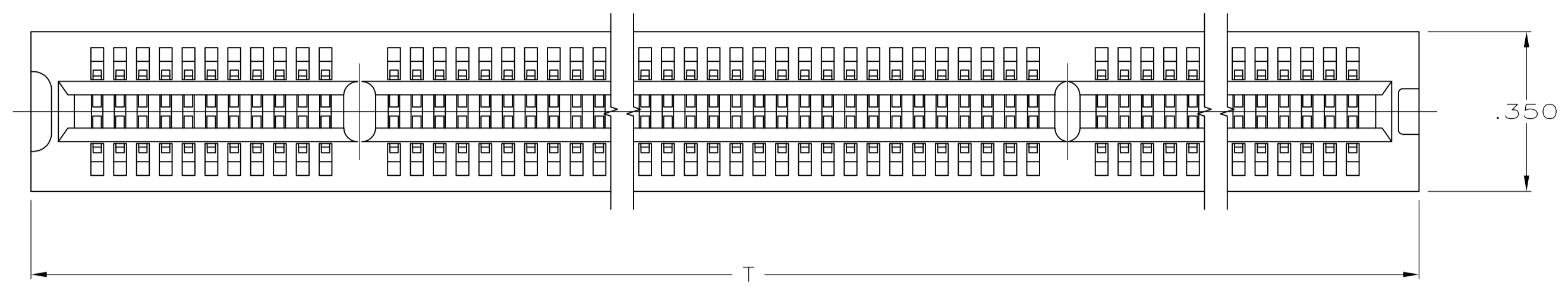
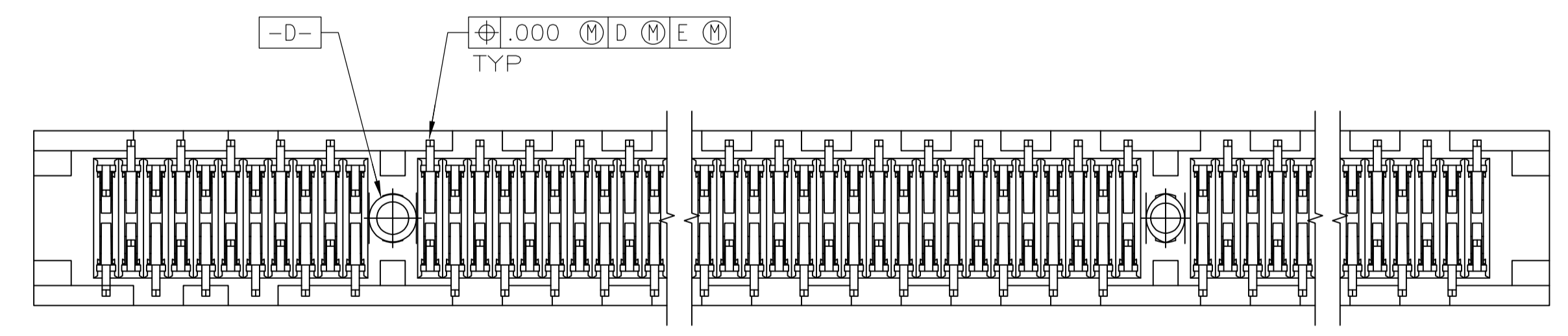
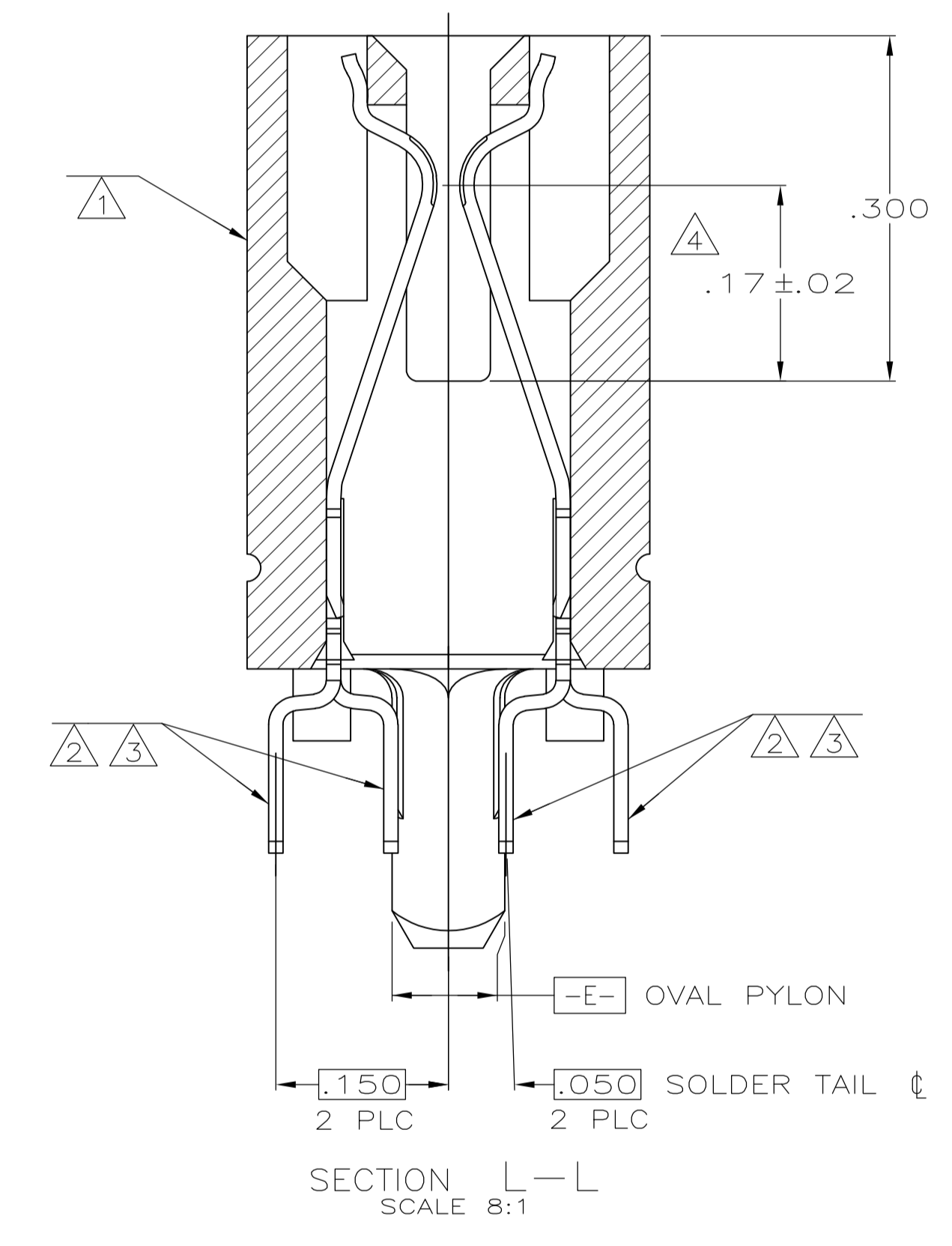
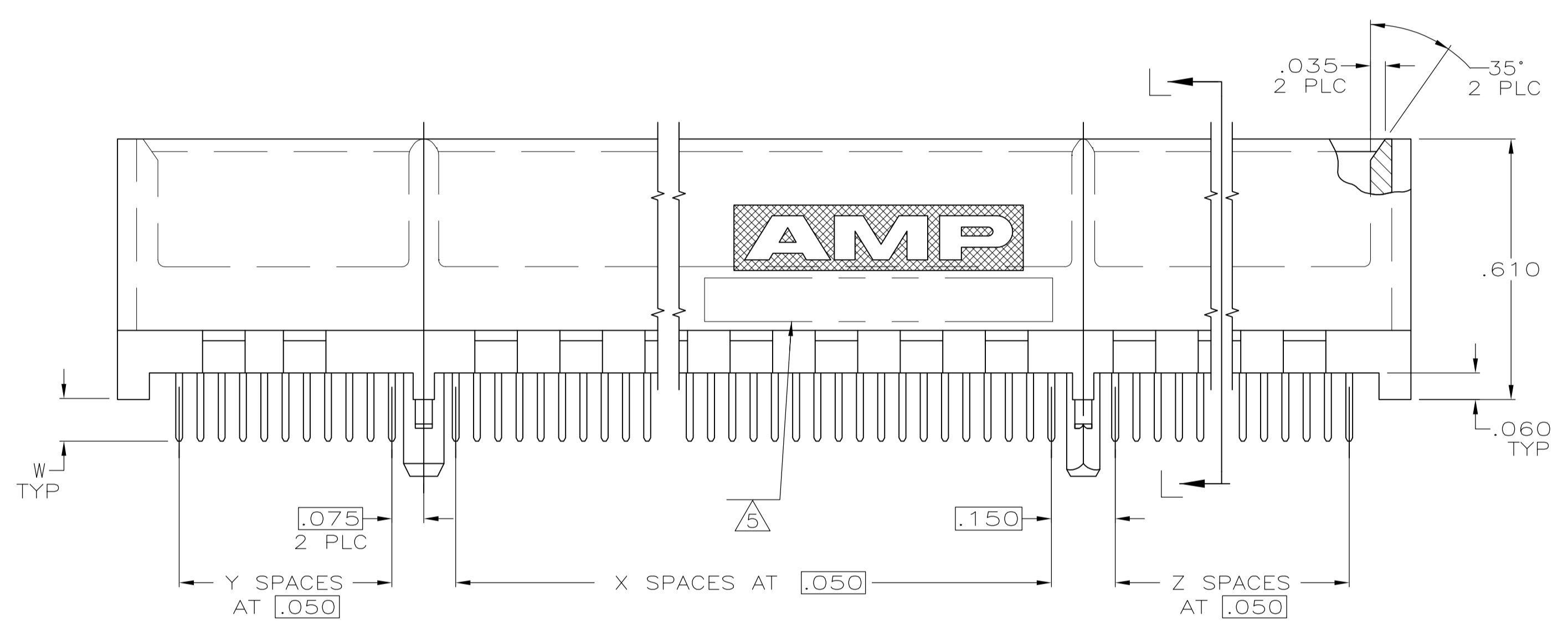


LOC		DIST		REVISIONS			
GP	00	REV	DATE	DESCRIPTION	DATE	BY	APPV
		0	05 AUG 05	RELEASED PER EC 0512-0287-05	05 AUG 05	AWF	AWF
		01	09 NOV 09	REVISED ECO-09-024927	09 NOV 09	KK	AEG



- ① HOUSING: HIGH TEMPERATURE THERMOPLASTIC. COLOR: BROWN.
- ② CONTACT: PHOSPHOR BRONZE.
- ③ CONTACT FINISH: .000100 MIN NICKEL ALL OVER.
.000030 MIN GOLD OVER NICKEL IN CONTACT AREA.
.000100 MIN MATTE TIN OVER NICKEL ON SOLDER TAILS.
- ④ DISTANCE FROM CONTACT POINT TO BOTTOM OF CARD SLOT.
- ⑤ AMP PART NUMBER, DATE CODE AND CSA LOGO MARKED IN APPROXIMATE AREA SHOWN.
- ⑥ OBSOLETE PARTS: OBSOLETE CIS STREAMLINING PER D.RENAUD/D.SINISI



SEE SHEET 2 FOR HOLE PATTERNS

OBSOLETE	HOLE PATTERN	DIMENSIONS										NO OF DUAL POSN	PART NUMBER
		A	C	C	A	A	A	A	X	W			
⑥	A	2.350	3.110	3.94	.610	13	10	44	.14	70	1-5650231-0		
	C	2.350	4.060	6.44	2.160	32	41	44	.14	120	-5650231-7		
	C	2.350	4.060	6.44	2.160	32	41	44	.10	120	-5650231-6		
	A	2.350	3.110	3.94	.610	13	10	44	.10	70	-5650231-5		
	A	2.350	5.610	6.44	.610	63	10	44	.10	120	-5650231-2		
A	2.350	5.610	6.44	.610	63	10	44	.14	120	5650231-1			

THIS DRAWING IS A CONTROLLED DOCUMENT.

AL FRANTUM 05 AUG 05
 AL FRANTUM 05 AUG 05

TOLERANCES UNLESS OTHERWISE SPECIFIED:
 0 PLC ± -
 1 PLC ± .01
 2 PLC ± .01
 3 PLC ± .005
 4 PLC ± .005
 ANGLES ± .2°

DIMENSIONS: INCHES

MATERIAL: ① ②
 FINISH: ③

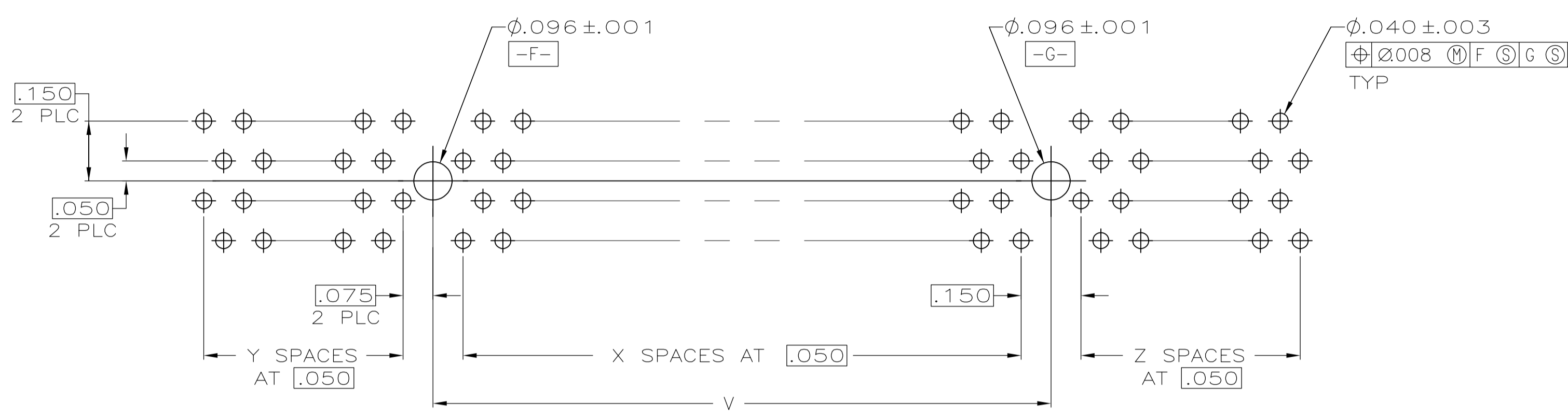
THIS DRAWING IS A CONTROLLED DOCUMENT. AL FRANTUM 05 AUG 05

PRODUCT SPEC: 108-14034
 APPLICATION SPEC: 114-26012

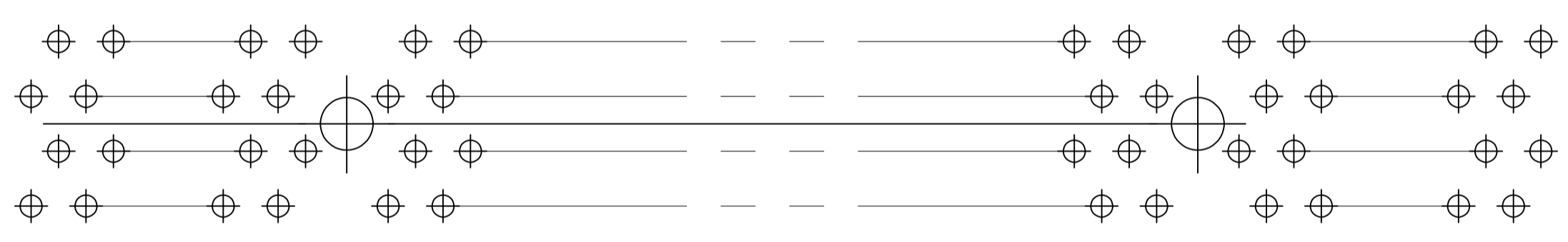
SIZE: A1
 CAGE CODE: 00779
 DRAWING NO: 5650231

RESTRICTED TO: -

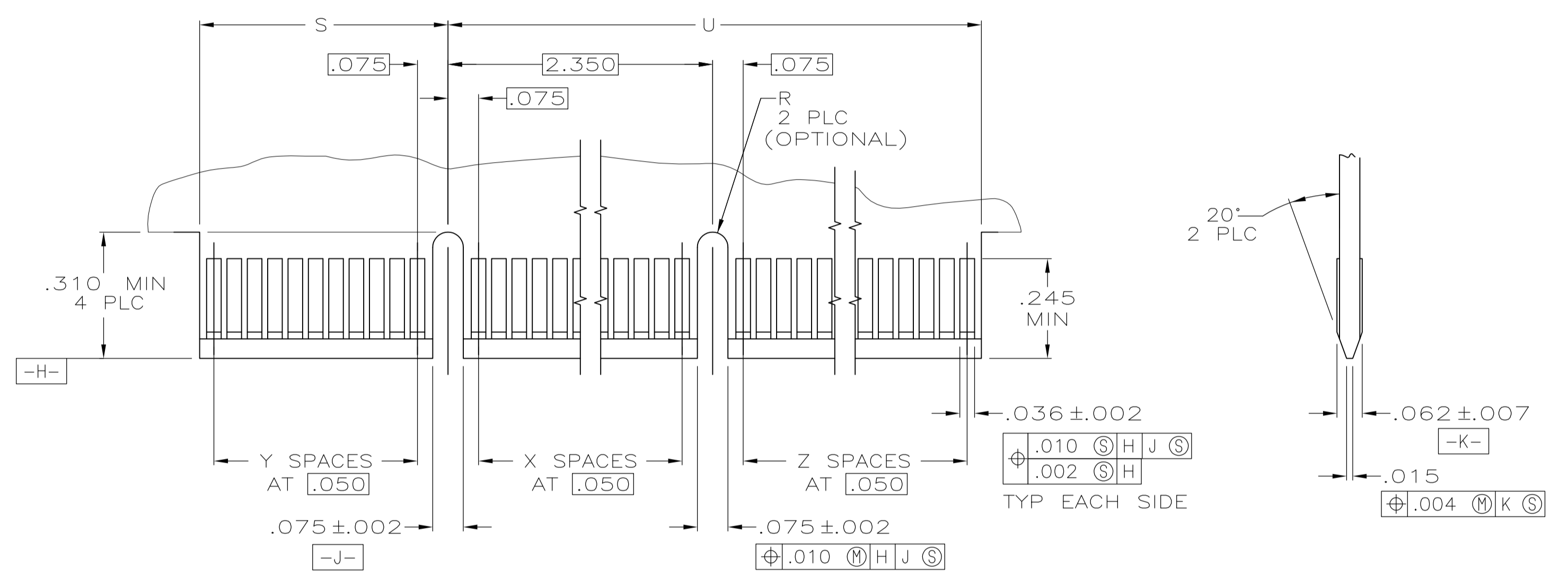
CUSTOMER DRAWING SCALE: 4:1 SHEET: 1 OF 2 REV: 01



RECOMMENDED CONNECTOR MOUNTING HOLE PATTERN A
(CONNECTOR SIDE SHOWN)



RECOMMENDED CONNECTOR MOUNTING HOLE PATTERN C
(CONNECTOR SIDE SHOWN)



RECOMMENDED MATING BOARD EDGE CONFIGURATION

THIS DRAWING IS A CONTROLLED DOCUMENT.		DN AL FRANTUM 05 AUG 05		Tyco Electronics Corporation Harrisburg, Pa 17105-3608	
DIMENSIONS: INCHES		CHK AL FRANTUM 05 AUG 05		NAME	
TOLERANCES UNLESS OTHERWISE SPECIFIED:		APVD	PRODUCT SPEC		
0 PLC ± -		FRANTUM		108-14034	
1 PLC ± .01		FRANTUM		APPLICATION SPEC	
2 PLC ± .01		FRANTUM		114-26012	
3 PLC ± .005		FRANTUM		SIZE CAGE CODE DRAWING NO	
4 PLC ± - ± °		FRANTUM		A1 00779 C=5650231	
MATERIAL SEE SHEET 1		FINISH SEE SHEET 1		WEIGHT	
				CUSTOMER DRAWING	
				SCALE 4:1 SHEET 2 OF 2 REV 01	