

4

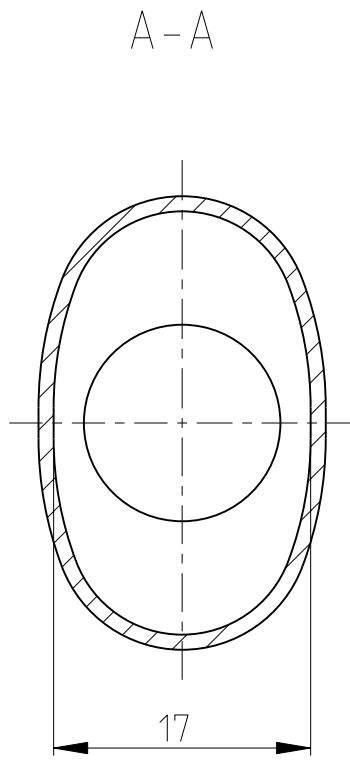
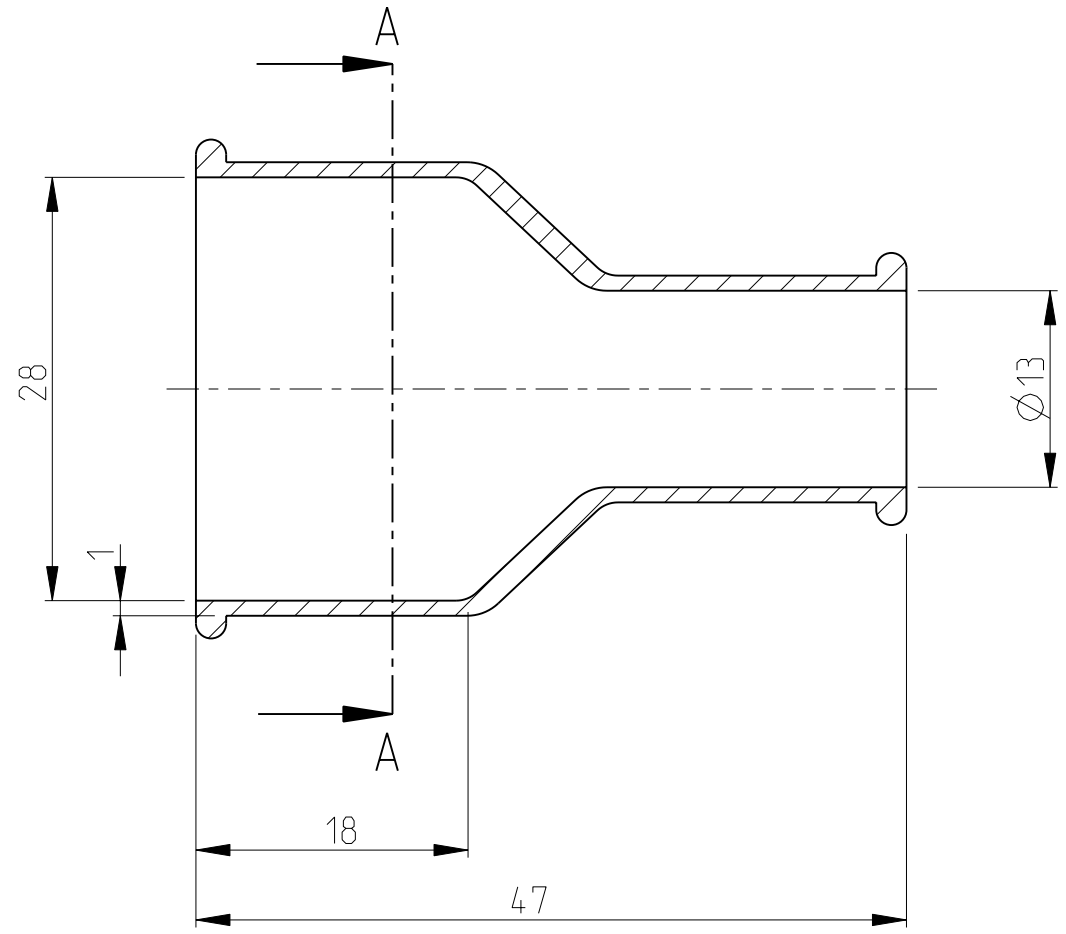
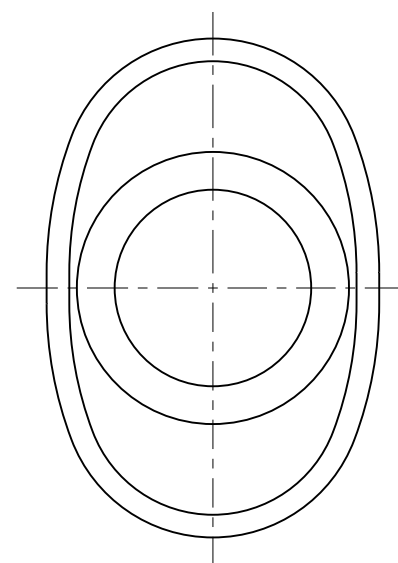
3

2

1

THIS DRAWING IS UNPUBLISHED. RELEASED FOR PUBLICATION 2008
 © COPYRIGHT 2008 BY TYCO ELECTRONICS CORPORATION. ALL RIGHTS RESERVED.

LOC	DIST	REVISIONS			
P	LTR	DESCRIPTION	DATE	DWN	APVD
A1	-				
	A2	CAD-Zeichung, Blatt 2 hinzu	11MAY1994	Garc.	-
	A3	DRAWING UPDATED	10DEC2008	Haas	Stre.



925311-1	A	Weichgummi SOFT RUBBER	BLACK
PART NUMBER	REV	MATERIAL	COLOR

<small>THIS DRAWING IS A CONTROLLED DOCUMENT FOR TYCO ELECTRONICS CORPORATION IT IS SUBJECT TO CHANGE AND THE CONTROLLING ENGINEERING ORGANIZATION SHOULD BE CONTACTED FOR THE LATEST REVISION.</small>		DWN Garcia.S. 11MAY1994	Tyco Electronics AMP GmbH 64625 Bensheim (Germany)	
DIMENSIONS: mm		CHK Wendling.H. 11MAY1994		
		APVD Bleicher.M. 10DEC2008	NAME BUSHING Leitungstuelle	
TOLERANCES UNLESS OTHERWISE SPECIFIED: ±0.5mm		PRODUCT SPEC -	APPLICATION SPEC -	
MATERIAL SEE TABLE		FINISH -	WEIGHT -	RESTRICTED TO -
		0 PLC ±-	SIZE A3	CAGE CODE 00779
		1 PLC ±-	DRAWING NO G=925311	SCALE 2:1
		2 PLC ±-	SHEET 1 OF 2	
		3 PLC ±-	REV A3	
		4 PLC ±-	CUSTOMER DRAWING	
		ANGLES ±-		

4

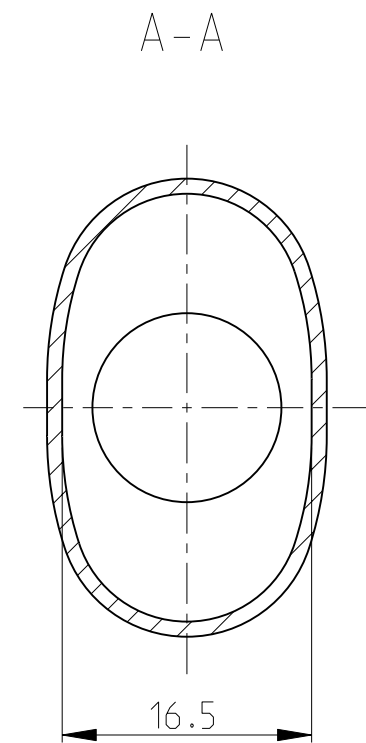
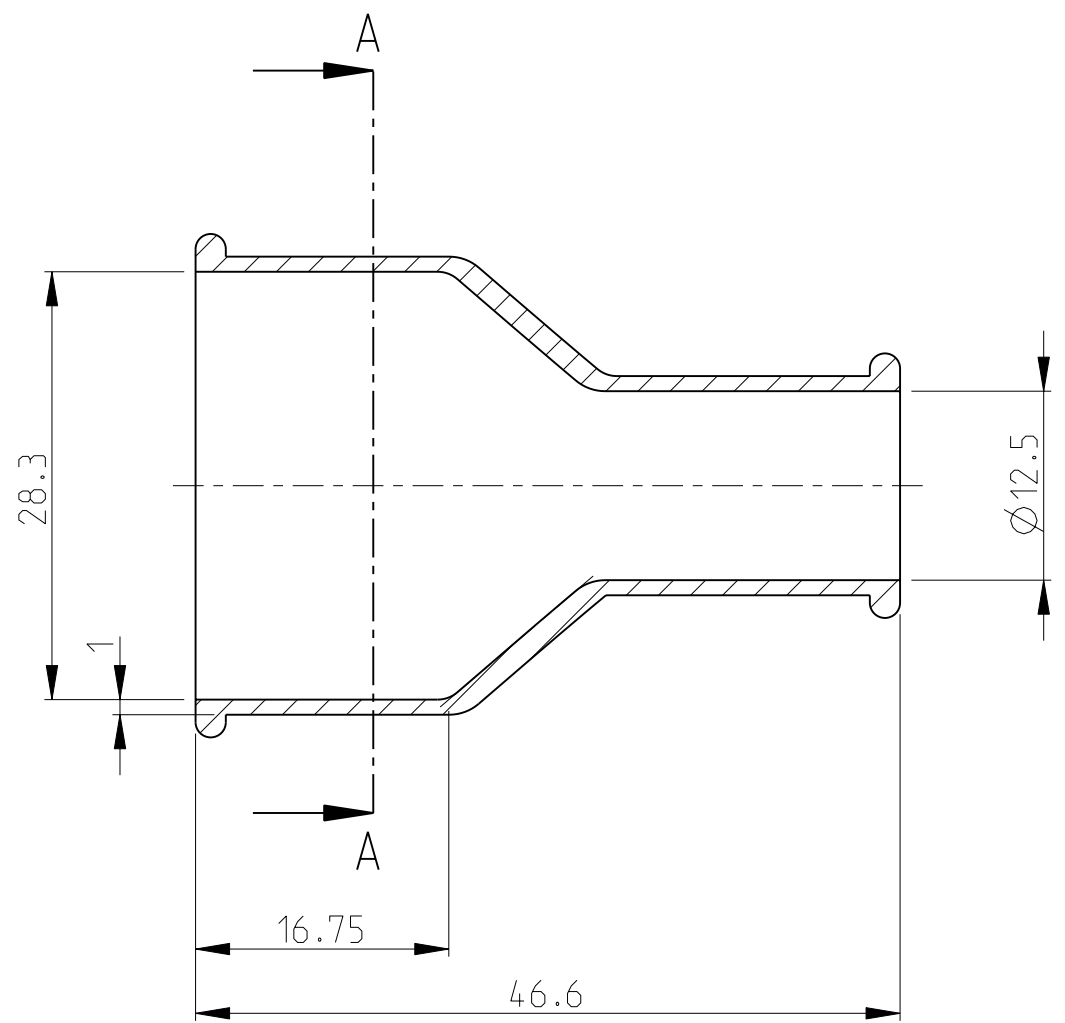
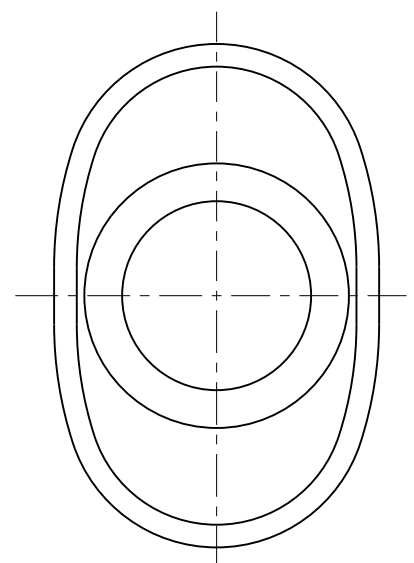
3

2

1

THIS DRAWING IS UNPUBLISHED. RELEASED FOR PUBLICATION 2008
 © COPYRIGHT 2008 BY TYCO ELECTRONICS CORPORATION. ALL RIGHTS RESERVED.

LOC	DIST	REVISIONS			
P	LTR	DESCRIPTION	DATE	DWN	APVD
A1	-	SEE SHEET 1	-	-	-



925311-2	A	EPDM	BLACK
PART NUMBER	REV	MATERIAL	COLOR

<small>THIS DRAWING IS A CONTROLLED DOCUMENT FOR TYCO ELECTRONICS CORPORATION IT IS SUBJECT TO CHANGE AND THE CONTROLLING ENGINEERING ORGANIZATION SHOULD BE CONTACTED FOR THE LATEST REVISION.</small>		DWN Garcia.S. 11MAY1994	Tyco Electronics AMP GmbH 64625 Bensheim (Germany)			
DIMENSIONS: mm 		CHK Wending.H. 11MAY1994				
TOLERANCES UNLESS OTHERWISE SPECIFIED: ±0.5mm 0 PLC ±- 1 PLC ±- 2 PLC ±- 3 PLC ±- 4 PLC ±- ANGLES ±- FINISH -		APVD Bleicher.M. 10DEC2008	NAME BUSHING Leitungstuelle			
MATERIAL SEE TABLE		PRODUCT SPEC -	SIZE A3	CAGE CODE 00779	DRAWING NO C-925311	RESTRICTED TO -
		APPLICATION SPEC -	SCALE 2:1		SHEET 2 OF 2	REV A3
		WEIGHT -	CUSTOMER DRAWING			