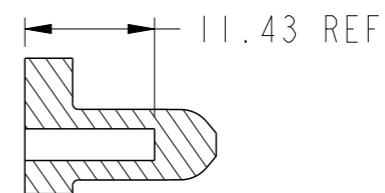
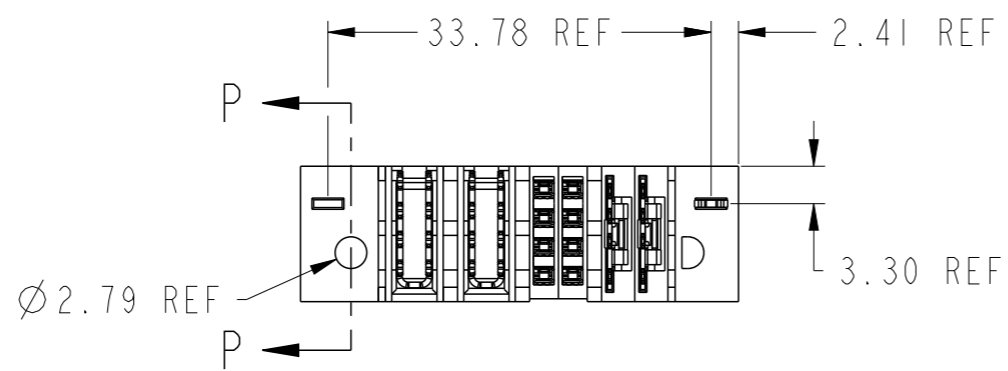
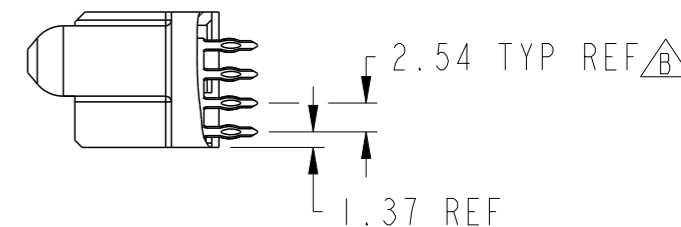
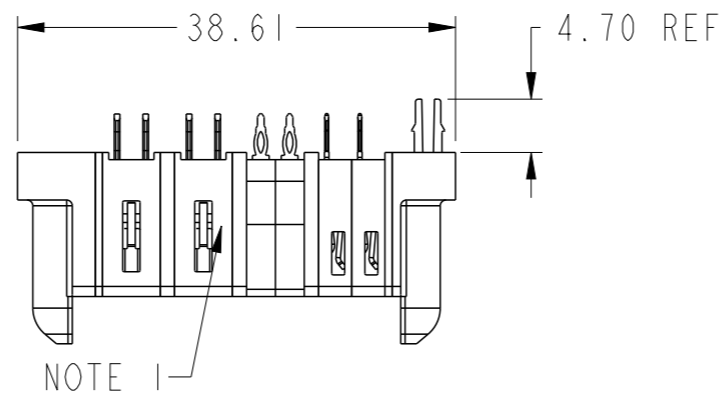


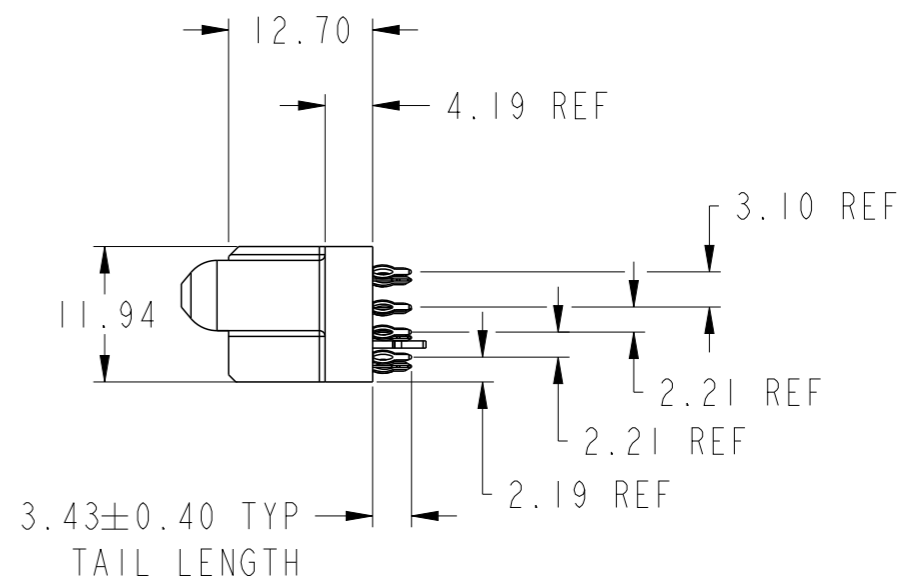
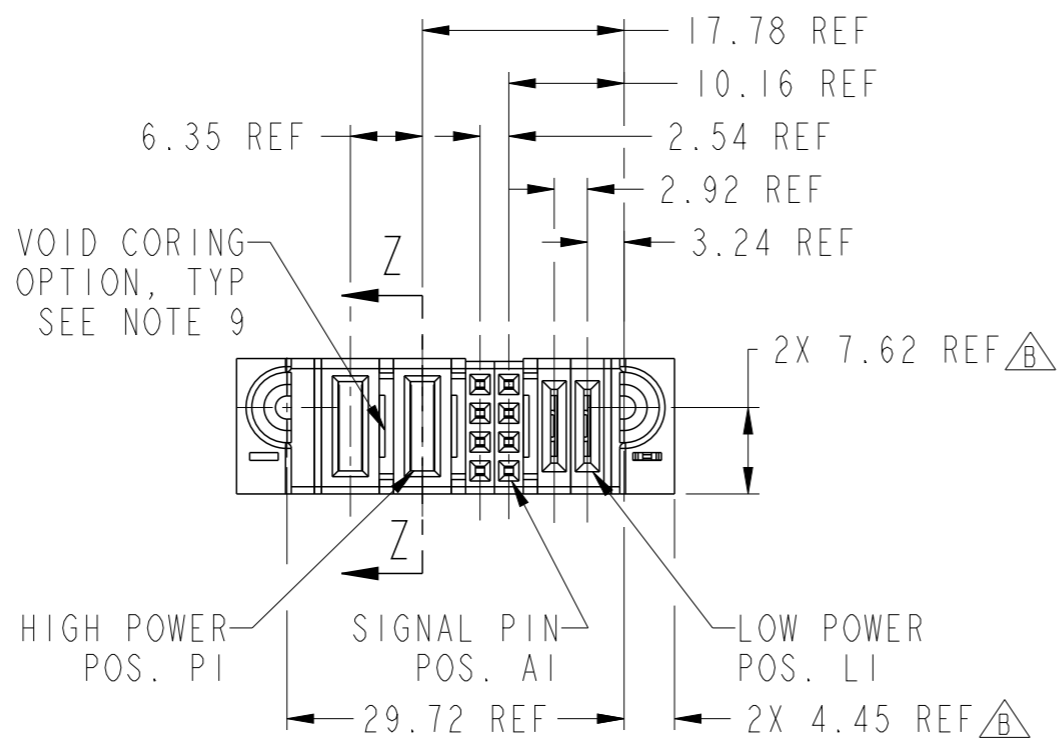
PRODUCT NUMBER SEE SHEET 2



SECTION P-P



SECTION Z-Z



3.43±0.40 TYP
TAIL LENGTH

spec ref	dr	Peng-Bing Fu	2011/05/20	projection	MM	size	A3	scale	3:2		
tolerance std	eng	Peng-Bing Fu	2012/11/13			ecn no	ELX-DG-013146-1	rel level	Released		
ASME Y14.5	chr	Tian-Xu Huang	2012/11/13							product family	PowerBlade+
surface ASME Y14.5	TOLERANCES UNLESS OTHERWISE SPECIFIED linear	0.X	±0.50		2LP + 8S + 2HP VT PF RECEPTACLE	dwg no 10106131-2202001	rev B	angular 0° ±2°			
		0.XX	±0.25					www.fci.com	cat. no.	Product - Customer Drw	sheet 1 of 3
		0.XXX	±0.10								

A

B

C

D


A

B

C

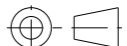
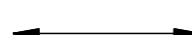
D

NOTES:

- 1) "FCI", PART NUMBER AND DATE CODE TO BE MARKED ON THIS SURFACE.
THE MARK CAN BE OMITTED IF THERE IS NOT ENOUGH SPACE ON THIS SURFACE.
- 2) MATERIALS:
-HOUSING - GLASS FILLED WITH HIGH TEMP THERMOPLASTIC, UL94V-0.
-SIGNAL CONTACT - COPPER ALLOY.
-POWER CONTACT - HIGH CONDUCTIVITY COPPER ALLOY.
- 3) PLATING SPECIFICATION REFER TO FCI 10116351
- 4) DENOTES CONNECTOR KEEP OUT ZONE.
- 5) DATUM AND BASIC DIMENIONS WERE ESTABLISHED BY CUSTOMER.
- 6) ALL HOLE DIAMETERS ARE FINISHED HOLE SIZES.
- 7) 1.15 ± 0.025 MM DRILLED HOLE PLATED WITH 0.00762MM MIN Sn
OVER 0.0254-0.0762MM Cu PLATING TO ACHIEVE A 1.02 ± 0.07 MM HOLE.
- 8) PRODUCT SPECIFICATION REFER TO FCI GS-12-658.
APPLICATION SPECIFICATION REFER TO FCI GS-20-141.
PRODUCT PACKAGED IN TRAYS, REFER TO FCI GS-14-1502.
- 9) THE VOID CORING IN BETWEEN POWER MODULES, SIGNAL
MODULES AND END MODULES ARE OPTIONAL AND THE SHAPE
MAY BE DIFFERENT FOR OPTIMIZE THE MOLDING PROCESS. THE
VOID CORING WILL NOT EFFECT TO PRODUCT FUNCTION.
- 10) A  SYMBOL WILL BE NEXT TO ANY DIMENSION, VIEW, OR NOTE
WHICH HAS BEEN MODIFIED WITH THE CURRENT DRAWING REVISION.



Copyright FCI.

dr	Peng-Bing Fu	2011/05/20	projection 	MM 	size	A3	scale	1:1	
eng	Peng-Bing Fu	2012/11/13			ecn no	ELX-DG-013146-1			
chr	Tian-Xu Huang	2012/11/13			product family	PowerBlade+	rel level	Released	
appr	Pei-Ming Zheng	2012/11/13			cat. no.	2LP + 8S + 2HP		rev	
					www.fci.com	VT PF RECEPTACLE		dwg no	10106131-2202001
					Product - Customer Drw			sheet 3 of 3	B