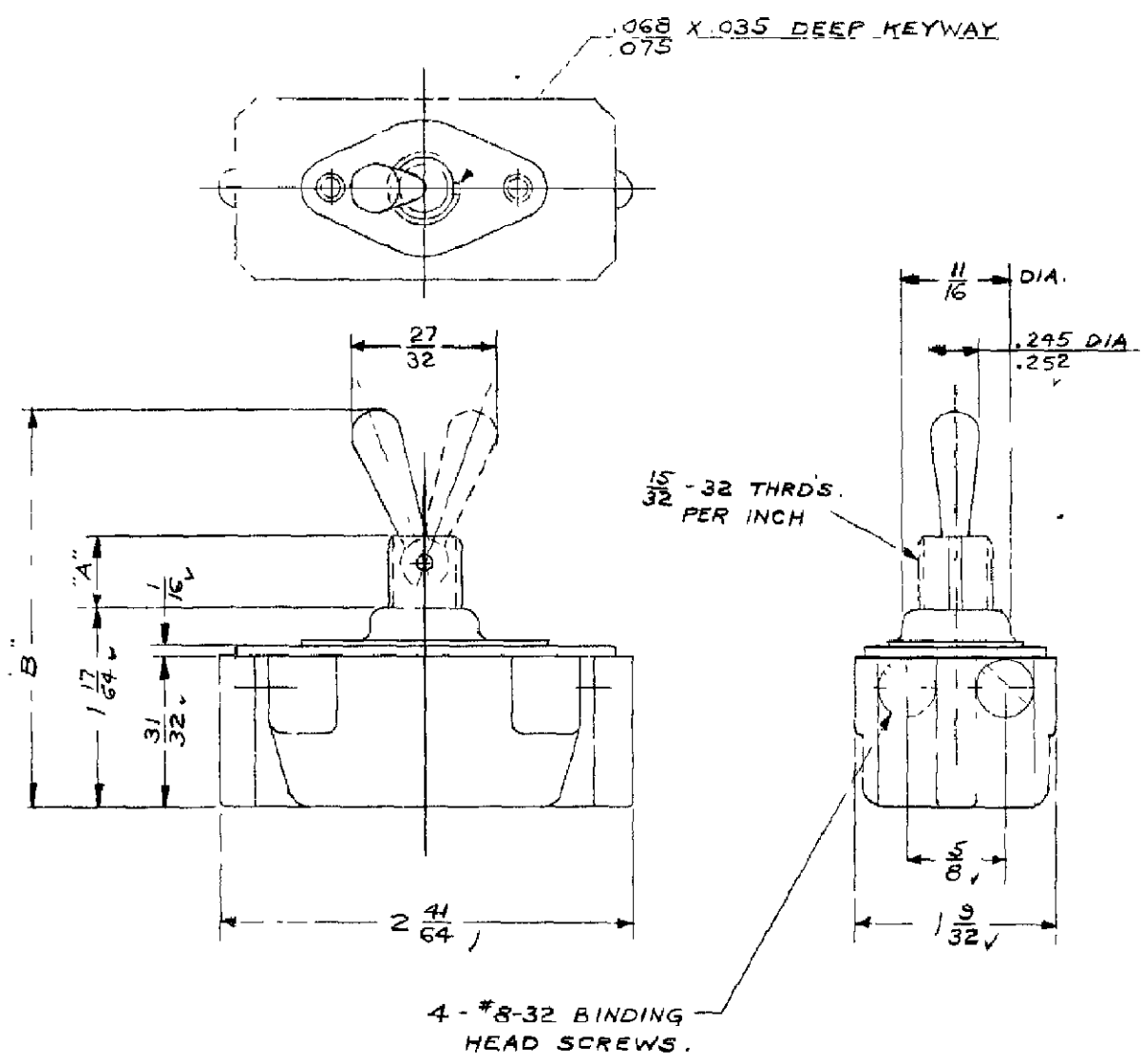


A 90-347

RAW MAT SPEC WITH PART NO AND AMOUNT REQ D.



7400	$15/32$	$2 \frac{35}{64}$
7400	$1/32$	$2 \frac{27}{64}$
CAT. NO.	A	B

**BULLETIN**  
**DIMENSIONS FOR 20 AMP. 250 V. ONE HOLE MTG. TOOL HANDLE SWITCH**

A	$27/32$ WAS $29/32$ . $.245-.252$ WAS $.312-.302$ DM81-3200-10	GDG $1 \frac{15}{32}$	1070 Bck	DR E. B. Leonard J. Raab Geo. J. Munn	9/19/40 10/4/40 10/5/40	FIRST ASSEM. WHERE LISTED D 90-341
B				APP. CMK.		SUP'S.
C						NON-INTERCHANGEABLE SUP D BY
D						NON-INTERCHANGEABLE SURFACE COATING
E						DO NOT SCALE DRAWING. WORK ACCORDING TO DIMENSIONS.
F						STANDARD TOLERANCES 20-375 APPLY TO DIMENSIONS FOR WHICH TOLERANCES ARE NOT SPECIFIED.

ORDER NO. 4041-10  
 DEV. 4041-10

CUTLER-HAMMER, INC. MILWAUKEE NEW YORK

**A 90-347**

SCALE 1"=1"

FORM NO. 7 1000 7-13-40 SCHILLER  
 IMPERIAL NO. N-16375 CLOTH