

Minimum wall thickness 1,5mm, alternativ panel cut-out d=16,1

Technical specification:

- Rated voltage: 250 V
IEC 61076-2-101
- Current rating: 4 A at 40°C
IEC 61076-2-101
- Insulation resistance: >=100 MΩ
IEC 60512
- Pollution degree: 3/2
IEC 60664-1
- Degree of protection: IP 67, in mated condition
IEC 60529
- Temperature range: -30°C ... +85°C
- Mating cycles: >=100
IEC 60512-9a

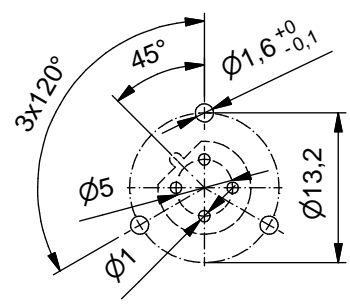
Materials:

- Contact: CuZn
- Contact plating: Nickel, gold plated
- Contact carrier: PBT GF, UL 94
- Sealing connector: FPM
chassis: NBR
- Counternut: CuZn, nickel plated
- Socket housing: CuZn, nickel plated
- Grouting: Polyurethane-resin, UL 94

Installation specification:

- Recommended torque: 1-1,2 Nm
- Conec installation tool: Torque wrench: 36-000200
Insert across flats 19: 36-000250

Pin layout PCB



Part no:	Description:	Pos	Length L:
43-01689	SAL - 12B - FKH4 - P6,75	4	6,75mm

DO NOT ALTER CAD DRAWING BY HAND Directive 2002/95/EC RoHS compliant	Index: a 07.12.12 MG Ä4555 Technical specification changed, materials corrected	dim. in mm	title: Female socket M12x1 with dip solder shielded, backmounting, Profibus DP		
		date name			
	drawn 29.09.10 Franz	CONEC ®		dwg no: 43K1A1188	
	appd. 29.09.10 Schmidt				
THIS DRAWING MAY NOT BE COPIED OR REPRODUCED IN ANY WAY, AND MAY NOT BE PASSED ON TO A THIRD PARTY WITHOUT WRITTEN PERMISSION. OWNERSHIP AND COPYRIGHT OF CONEC GmbH					