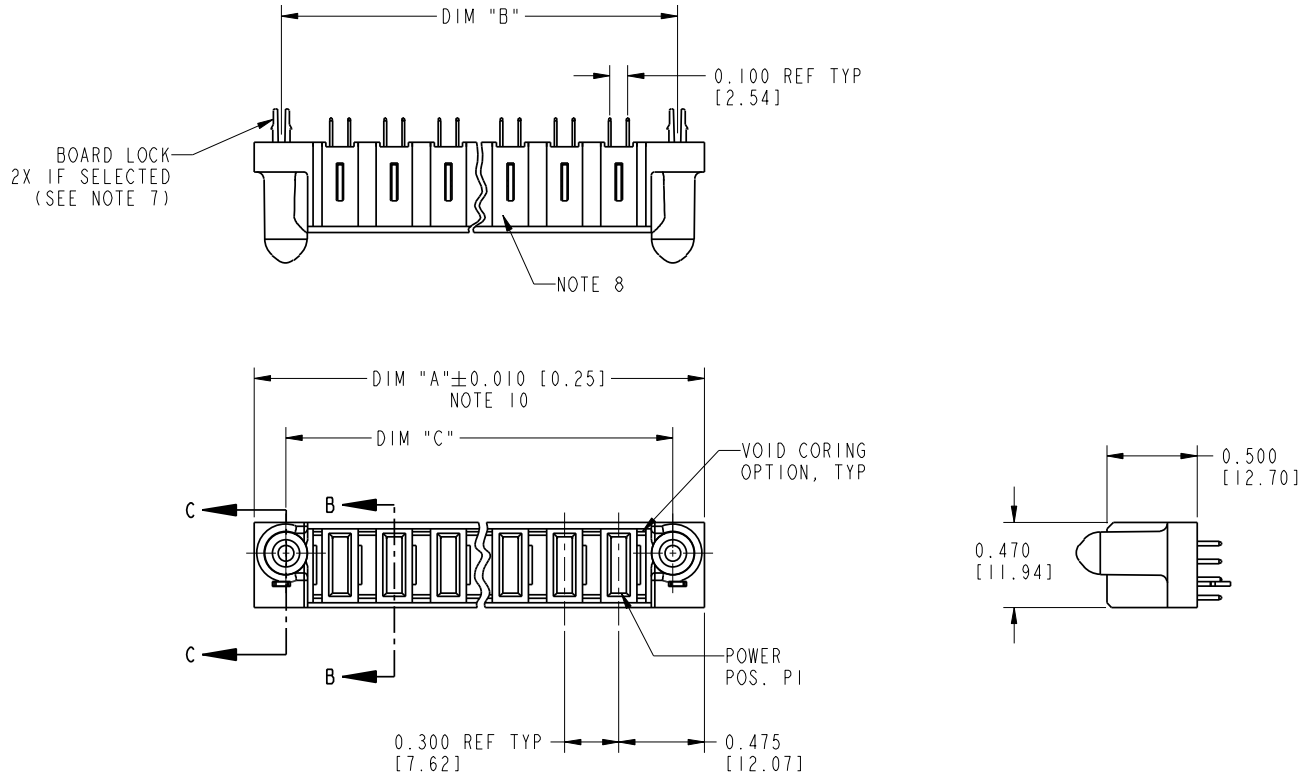


Tous droits strictement réservés. Reproduction ou communication à des tiers interdite sans que la forme que ce soit sans autorisation écrite du propriétaire. Propriété de c FCI. Droits de reproduction FCI.



All rights strictly reserved. Reproduction or issue to third parties in any form without written authority from the proprietor. Property of FCI. Copyright FCI.

PRODUCT NUMBER  
SEE NOTE 1



mat'l code				NOTE 2		tolerances unless otherwise specified		CUSTOMER		FCI		www.fciconnect.com		
lir	ecr no.	dr	date	linear	.XX±.01/0.X±0.3	COPY		projection		title				
A	V02363	EKK	09/28/00		.XXX±.005/0.XX±0.13	PwrBlade		INCH/MM		VERTICAL RECEPTACLE w/ GUIDE PIN				
B	V10970	CGD	03/05/01	angles	.XXX±.0020/.XXX±.051	code		scale		0.300 [7.62] POWER SPECIAL				
C	DG07-0089	RYAN	03/18/07		0°±2°	213		1:1		product family		code		
				dr	C. DAILY 03/05/01	sheet				size		sheet		
				enrg	J. DODDS 03/05/01	index				A		1 of 3		
				chr	J. DODDS 03/05/01					51816				
				appd	J. DODDS 03/05/01									
sheet index		revision sheet		C	C	C								
		1 2 3												

cage code 22526

Pro/E

Tous droits strictement réservés. Reproduction ou communication à des tiers interdite sans quelque forme que ce soit sans autorisation écrite du propriétaire. Propriété de c FCI. Droits de reproduction FCI.



All rights strictly reserved. Reproduction or issue to third parties in any form without written authority from the proprietor. Property of FCI. Copyright FCI.

1 | 2

3 |

4

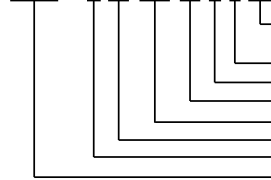
PRODUCT NUMBER  
SEE NOTE 1

DIM	LENGTH FORMULAS (SEE NOTE 9)
DIM "A"	0.300 [7.62] X BB + 0.650 [16.51] (NOTE 9)
DIM "B"	0.300 [7.62] X BB + 0.350 [8.89]
DIM "C"	0.300 [7.62] X BB + 0.300 [7.62]
DIM "F"	0.300 [7.62] X BB + 0.680 [17.27]

CONNECTOR NOTES:

1. PRODUCT NUMBER CODE:

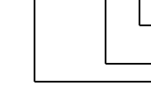
51816 - A BB 000 00 E F LF



W/O THIS SUFFIX: 100u"/2.54um SnPb ON PCB INTERFACE  
 WITH THIS SUFFIX: 78u"/1.98um Sn OR 5u"/0.13um Au ON PCB INTERFACE  
 RETENTION TO PCB (NOTE 7)  
 TAIL OPTIONS (NOTE 6)  
 ALWAYS '00' (ZERO,ZERO)  
 ALWAYS '000' (ZERO,ZERO,ZERO) (NOTE 5)  
 NUMBER OF POWER CONTACTS (NOTE 4)  
 PLATING (NOTE 3)  
 BASE NUMBER

PRODUCT NUMBERING CODE FOR SELECT LOAD/FMLB PART NUMBERS:

51816 - XXX LF



W/O THIS SUFFIX: 100u"/2.54um SnPb ON PCB INTERFACE  
 WITH THIS SUFFIX: 78u"/1.98um Sn OR 5u"/0.13um Au ON PCB INTERFACE  
 SEQUENCE NUMBER  
 BASE NUMBER

SEE PRODUCT SPECIFIC DRAWINGS 51816-XXX FOR SELECT LOAD/FMLB PRODUCT INFORMATION.

2. HOUSING MATERIAL: UL 94 V-0 GLASS FILLED HIGH TEMP THERMOPLASTIC  
 POWER CONTACT MATERIAL: COPPER ALLOY

3. PLATING FOR POWER TERMINALS:

- 1 = 50u"/1.27um Ni UNDER OVERALL, 30u"/0.76um Au ON CONTACT AREA, 100u"/2.54um SnPb OR 78u"/1.98um Sn ON PCB INTERFACE
- 3 = 50u"/1.27um Ni UNDER OVERALL, 30u"/0.76um Au ON CONTACT AREA, 5u"/0.13um Au ON PCB INTERFACE

4. POWER CONTACT, 01 TO 20 AVAILABLE.  
 MAXIMUM OF 20 POWER CONTACTS PER CONNECTOR.

5. THIS PART IS NOT AVAILABLE WITH SIGNAL CONTACTS.

6. TAIL OPTIONS:

- A = 0.135±.010 [3.43±.25] SOLDER TO BOARD AS SHOWN
- C = 0.135±.010 [3.43±.25] PRESS FIT

7. RETENTION TO PCB OPTIONS:

- A = BOARD LOCK (SHOWN) REQUIRES Ø0.098 +0.002/-0.001 [Ø2.49 +0.05/-0.03] THRU HOLE IN PCB (NOT AVAILABLE WITH PRESS-FIT)  
 BOARD LOCK TO BE USED IN CONJUNCTION WITH A 0.092 [2.34] PCB OR THICKER.
- C = NO RETENTION FEATURE (ALL PRESS-FIT)

8. MANUFACTURER'S NAME, P/N, AND DATE CODE TO APPEAR ON THIS SURFACE AS PER BUS-24-017.

9. THE MAXIMUM OVERALL LENGTH (DIM A) OF A PART IS 8.00 [203.2].

10. PRODUCT SPECIFICATION GS-12-149

PCB INTERFACE

11. REFERENCE 51698 FOR SPECIALS WORKSHEET.

PCB NOTES:

- 12. ALL DIMENSIONS ARE BASIC UNLESS OTHERWISE SPECIFIED.
- 13. ALL THROUGH HOLES ARE LOCATED WITH A TRUE POSITION OF 0.004 [0.10]
- 14. ALL HOLE DIAMETERS ARE FINISHED HOLE SIZE
- 15. Ø0.0453±0.0010 [1.151±0.025] DRILLED HOLES PLATED WITH 0.0003 [0.008] MIN SnPb OR Sn OVER 0.001 [0.03] TO 0.003 [0.08] Cu PLATING TO ACHIEVE A Ø0.040±0.003 [1.02±0.07] HOLE.

CONFIDENTIAL

mat'l code				NOTE 2		tolerances unless otherwise specified		CUSTOMER		FCI		www.fciconnect.com	
lfr	ecr no.	dr	date	linear	.XX±.01/0.X±0.3	projection	INCH/MM	scale	1:1	product family	PwrBlade	code	213
C				angles	.XXX±.005/0.XX±0.13	INCH/MM	INCH/MM	size	A	dwg no	51816	sheet	2
				dr	.XXX±.0020/.XXX±.051	INCH/MM	INCH/MM	size	A	dwg no	51816	sheet	2
				enrg	C. DAILY 03/05/01	INCH/MM	INCH/MM	size	A	dwg no	51816	sheet	2
				chr	J. DODDS 03/05/01	INCH/MM	INCH/MM	size	A	dwg no	51816	sheet	2
				appd	J. DODDS 03/05/01	INCH/MM	INCH/MM	size	A	dwg no	51816	sheet	2
sheet index	revision sheet												

1 | 2

Pro/E

3 |

cage code 22526

4

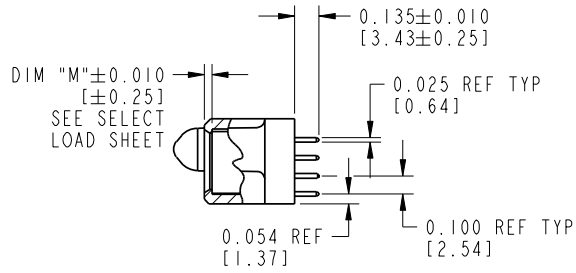
Tous droits strictement réservés. Reproduction ou communication à des tiers interdite sans quelque forme que ce soit sans autorisation écrite du propriétaire. Propriété de c FCI. Droits de reproduction FCI.

All rights strictly reserved. Reproduction or issue to third parties in any form without written authority from the proprietor. Property of FCI. Copyright FCI.

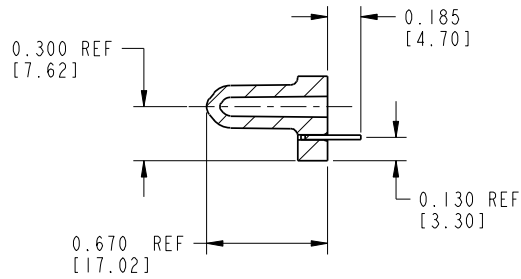


PRODUCT NUMBER  
SEE NOTE 1

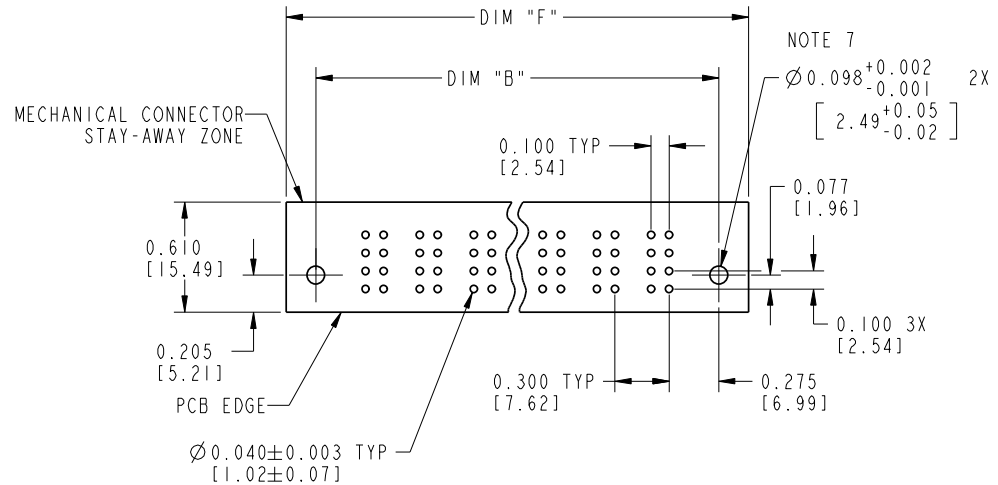
CODE	DIM "M" ±0.010 [±0.25]	TAIL TYPE	CONTACT TYPE
PA	0.042 [1.07]	SOLDER	POWER USED IN 51816-ABB00000EF__ 51816-XXX__
PC	0.042 [1.07]	PRESS-FIT	
PD	0.092 [2.34]	SOLDER	POWER USED IN 51816-XXX__
PF	0.092 [2.34]	PRESS-FIT	
HA	N/A	N/A	N/A
X	OMITTED	OMITTED	OMITTED



SECTION B-B



SECTION C-C



RECOMMENDED PCB LAYOUT

mat'l code				NOTE 2		tolerances unless otherwise specified		CUSTOMER		FCI	
lfr	ecn no.	dr	date	linear	.XX±.01/0.X±0.3	projection	COPY		www.fciconnect.com		
C				angles	.XXX±.005/0.XX±0.13	INCH/MM	title		VERTICAL RECEPTACLE w/ GUIDE PIN		
				dr	XXX±.0020/.XXX±.05	scale	product family		PwrBlade		
				enrg		1:1	size		213		
				chr			dwg no		3		
				appd			A		51816		
sheet index	revision sheet										

cage code 22526

Pro/E