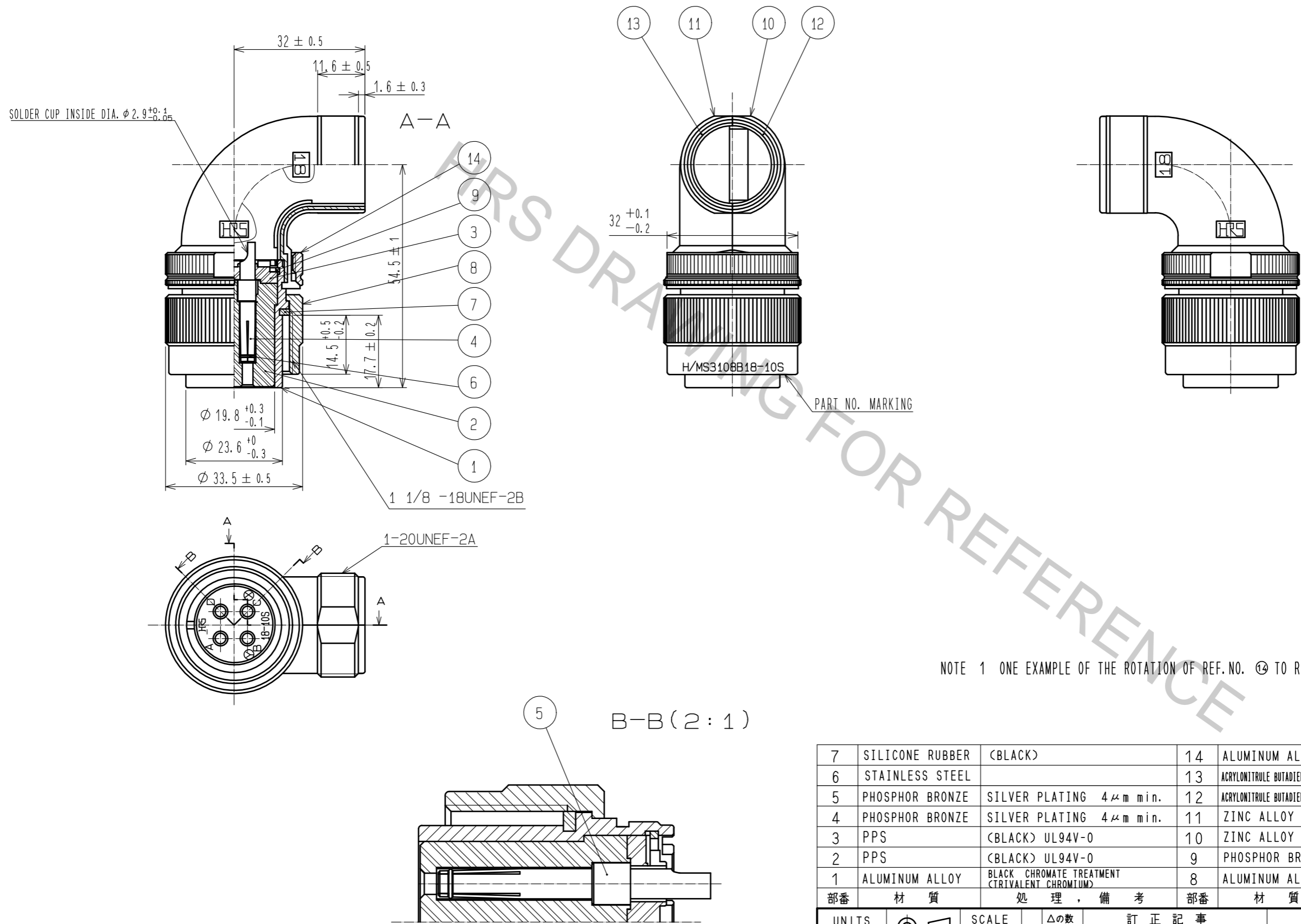


Aug.1.2018 Copyright 2018 HIROSE ELECTRIC CO., LTD. All Rights Reserved.
 In case that the application demands a high level of reliability, such as automotive,
 please contact a company representative for further information.



NOTE 1 ONE EXAMPLE OF THE ROTATION OF REF. NO. ⑬ TO REF. NO. ① IS SHOWN.

7	SILICONE RUBBER	(BLACK)	14	ALUMINUM ALLOY	BLACK CHROMATE TREATMENT (TRIVALENT CHROMIUM)
6	STAINLESS STEEL		13	ACRYLONITRILE BUTADIENE RUBBER	(BLACK)
5	PHOSPHOR BRONZE	SILVER PLATING 4 μm min.	12	ACRYLONITRILE BUTADIENE RUBBER	(BLACK)
4	PHOSPHOR BRONZE	SILVER PLATING 4 μm min.	11	ZINC ALLOY	BLACK CHROMATE TREATMENT (TRIVALENT CHROMIUM)
3	PPS	(BLACK) UL94V-0	10	ZINC ALLOY	BLACK CHROMATE TREATMENT (TRIVALENT CHROMIUM)
2	PPS	(BLACK) UL94V-0	9	PHOSPHOR BRONZE	NICKEL PLATING
1	ALUMINUM ALLOY	BLACK CHROMATE TREATMENT (TRIVALENT CHROMIUM)	8	ALUMINUM ALLOY	BLACK CHROMATE TREATMENT (TRIVALENT CHROMIUM)
部番	材質	処理、備考	部番	材質	処理、備考

UNITS mm		SCALE 1 : 1	△の数	訂正記事	設計	検図	年月日
HRS HIROSE ELECTRIC CO., LTD.		承認 : HY. KOBAYASHI 18.02.22	検図 : HY. KOBAYASHI 18.02.22	設計 : HY. KISHI 18.02.21	製図 : MK. INOUE 18.02.07	図番 : EDC-048964-31-00	製品名 : H/MS3108B18-10S(31)
						製品コード : CL120-0705-9-31	1/1