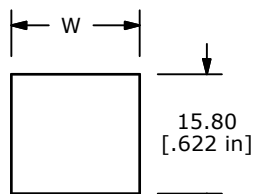
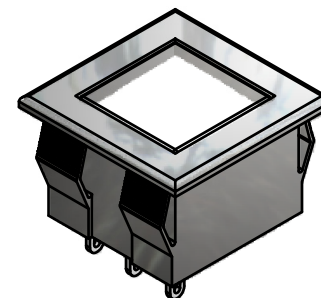
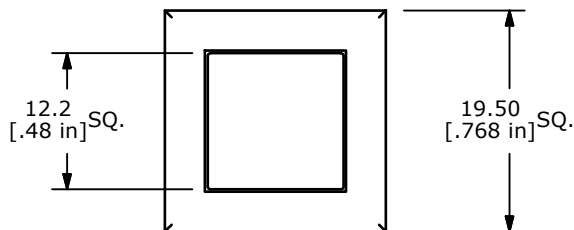




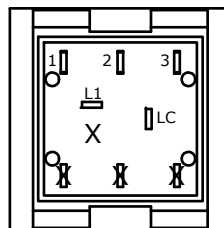
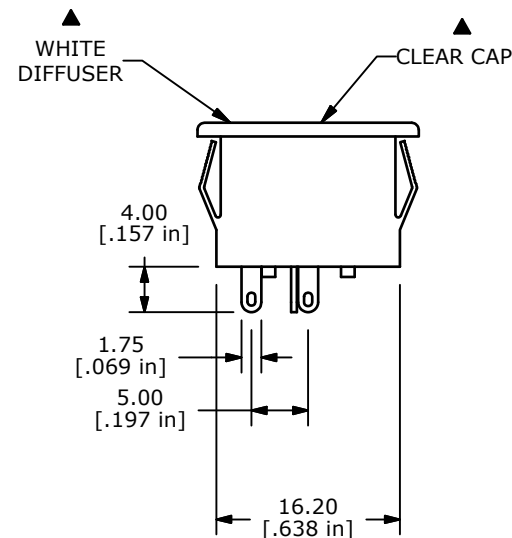
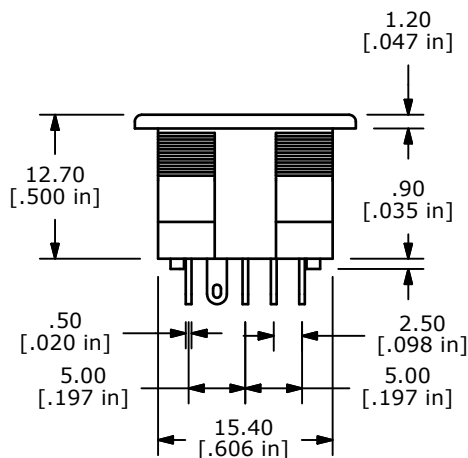
SWITCH SCHEMATIC (MOMENTARY)

CIRCUIT LAYOUT



PANEL MOUNTING

PANEL MOUNTING	
PANEL THICK	(W) DIMENSION
0.75 - 1.25	17.6 - 17.8
1.25 - 2.0	17.8 - 18.0
2.0 - 3.0	18.0 - 18.2



1. ALL DIMENSIONS IN MM
2. GENERAL TOLERANCE: X.X=±0.4
X.XX=±0.25
3. TERM. NOS. FOR REFERENCE ONLY.
- ▲ 4. CONTACT RATING: 0.5A @ 100VAC
0.2A @ 250VAC
0.5A @ 25VDC
5. CONTACT MATERIAL: SILVER
6. ELECTRICAL LIFE: 200,000 Typical
7. MECHANICAL LIFE: 1,000,000 CYCLES TYP.
8. CONTACT RESISTANCE: 50 mΩ INITIAL TYP. MAX.
9. DIELECTRIC STRENGTH: 1,000 VAC FOR 1 MIN.
10. TRAVEL TO MAKE: 2.20mm ±0.2
11. OPERATING FORCE: 200 +/- 100 gf
12. OPERATING TEMPERATURE: -20° to +70°C
13. 2002/95/EC (ROHS) COMPLIANT
14. ▲ DENOTES CRITICAL PARAMETER
- ▲ 15. LED COLOR: GREEN; 3 CHIPS; 2.1VDC @20mA TYP.



TITLE ULP120AM1QPMCL1GRNNIL

A	20357	RELEASE FOR PRODUCTION	12/21/11	BGL
REV	PCR NO	DESCRIPTION	DATE	BY

SCALE	DATE	DR	DWG	REV
1.5 : 1	12/21/2011	BGL	B810041	A

THE INFORMATION CONTAINED IN THIS DOCUMENT IS PROPRIETARY TO E-SWITCH AND IS NOT TO BE COPIED OR TRANSFERRED