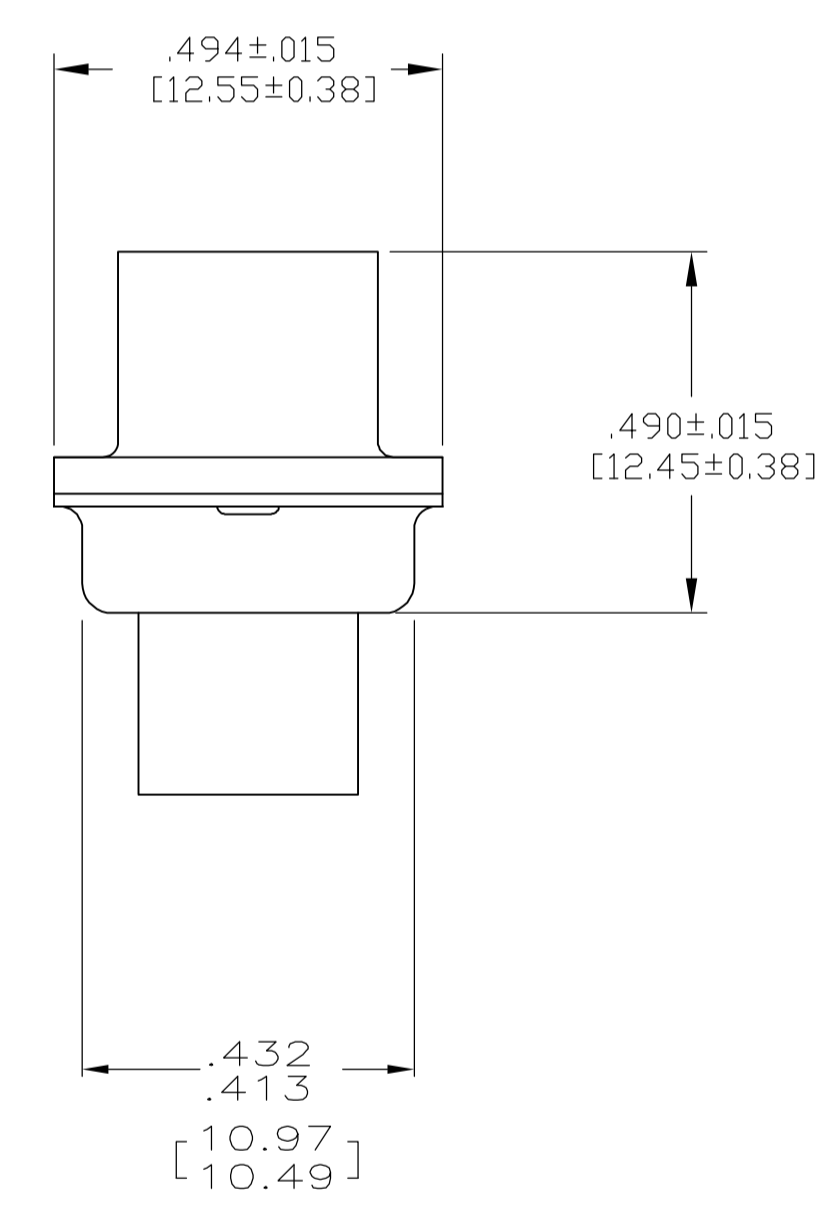
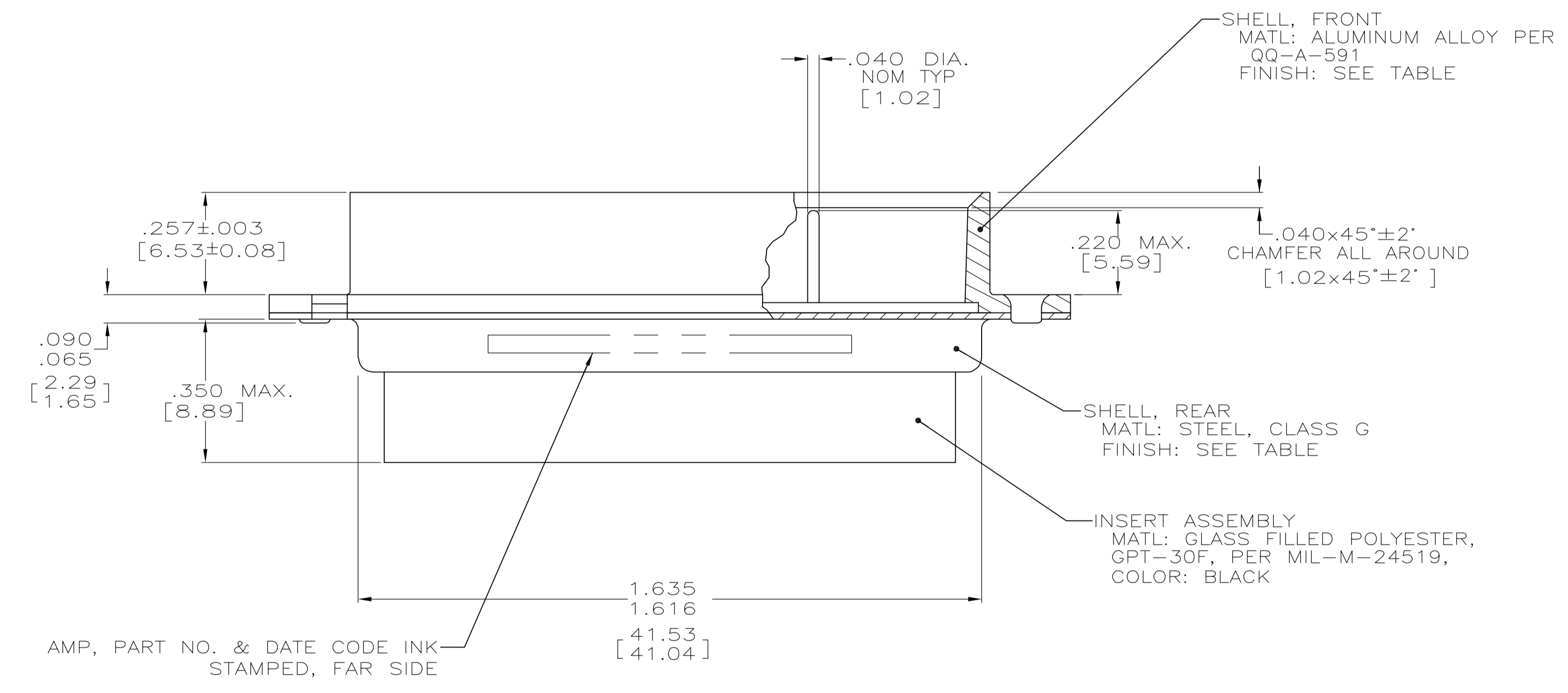
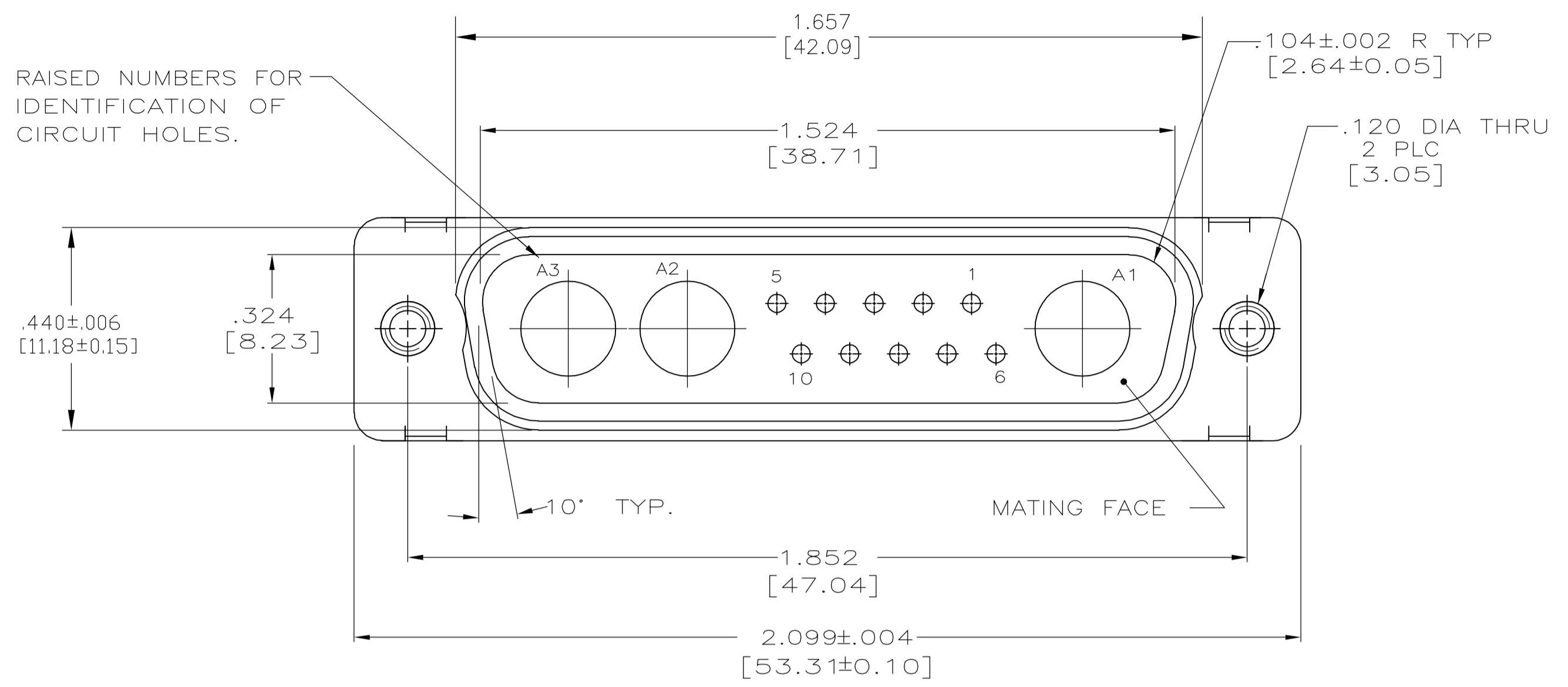


LOC		DIST		REVISIONS			
DF	DO	REV	PER	ECO	DATE	BY	APPROV
C		REV PER	ECO	05-13647	4-7-06	CT	DM



- THIS PLUG WILL MATE WITH ANY 13C3, SIZE 3 RECEPTACLE IN AMPLIMITE SERIES.
 - SST RETENTION CLIPS ARE INCLUDED IN INSERTS AT POSITIONS 1 THRU 10
 - THIS PLUG IS DESIGNED TO CONFORM TO THE LATEST ISSUE OF MIL-C-24308.
 - POSITIONS 1 THRU 10 WILL ACCEPT SIZE 20 DM PIN CONTACT M39029/64-369 OR ANY AMP SIZE 20 DF PIN CONTACT.
 - CONTACTS NOT SUPPLIED WITH CONNECTOR
- 6 FINISH: CADMIUM PER QQ-P-416; YELLOW CHROMATE.
7 FINISH: ZINC PLATED PER ASTM-B-633 .000200 MIN THK WITH SUPPLEMENTARY CHROMATE (Cr3+).

7	5-447723-1
6	447723-1
FINISH	PART NO.

THIS DRAWING IS A CONTROLLED DOCUMENT.		DWG: P. YEAGER 2-11-91	Tyco Electronics Corporation Harrisburg, PA 17105-3608
DIMENSIONS: INCHES [mm]		CHK: A. EMADI 2-21-91	
TOLERANCES UNLESS OTHERWISE SPECIFIED:		APPROV: A. EMADI 2-21-91	NAME: PLUG ASSEMBLY, AMPLIMITE, COAX MIX, 13C3, SIZE 3 BLINDMATE
0 PLC ± -	1 PLC ± -	2 PLC ± -	3 PLC ± .005 [0.13]
4 PLC ± -	ANGLES ± -	SIZE: A1 00779 C=447723	
MATERIAL: SEE CALLOUTS		FINISH: SEE CALLOUTS	WEIGHT: -
CUSTOMER DRAWING		SCALE: 4:1	SHEET: 1 OF 1 REV: C