

$\phi$  175 mm

# San Ace C175



## General Specifications

- Material ..... Motor case: Aluminum,  
Impeller: Plastics (Flammability: UL94V-0)
- Expected Life ..... Refer to specifications (L10:Survival rate: 90% at 60°C ,  
rated voltage, and continuously run in a free air state)
- Lead Wire ..... ⊕red ⊖black (Sensor) yellow (Control) brown
- Storage Temperature ..... -30°C to +70°C (Non-condensing)

$\phi$  175 mm × 69 mm (Mass : 750g) **9TG type**

## Specifications

When inlet nozzle [Option (Model : 109-1073)] is mounted. The following nos. have PWM controls and pulse sensors.

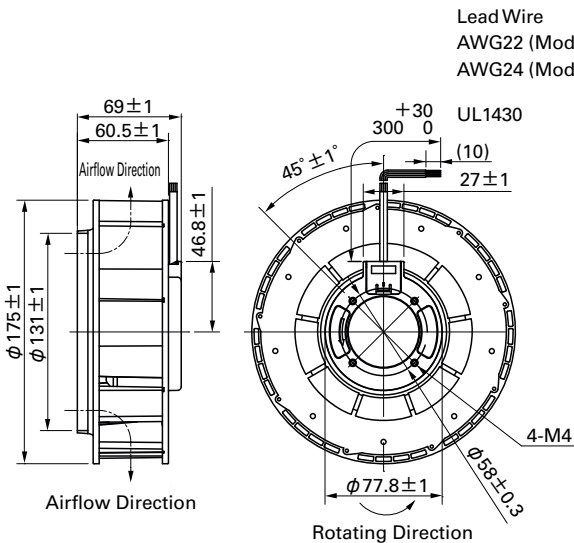
Model No.	Rated Voltage [V]	Operating Voltage Range [V]	PWM duty cycle <sup>*)</sup> [%]	Rated Current [A]	Rated Input [W]	Rated Speed [min <sup>-1</sup> ]	Max. Airflow [m <sup>3</sup> /min] [CFM]	Max. Static Pressure [Pa] [inchH <sub>2</sub> O]	SPL [dB(A)]	Operating Temperature [°C]	Expected Life [h]
9TG24P0G01	24	20.4 to 27.6	100	3.9	93.6	4,700	14.0 494.7	885 3.55	73	-20 to +60	40,000/60°C
9TG24P0S01				2.35	56.40	3,900	11.6 409.8	609 2.45	69	-20 to +70	
9TG48P0G01	48	36 to 55.2		1.95	93.6	4,700	14.0 494.7	885 3.55	73	-20 to +70	

Note 1 : Fan does not rotate when PWM duty cycle is 0% .  
Note 2 : Max input is 130 W at rated voltage.

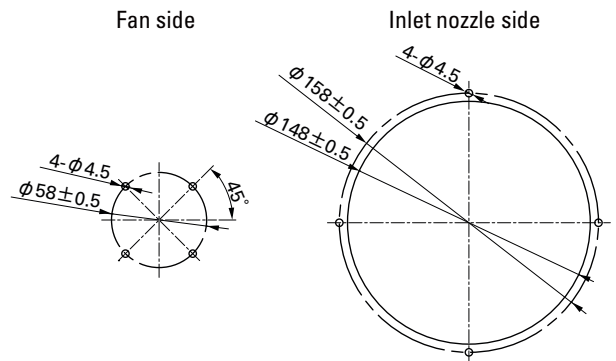
\*)PWM Frequency : 25kHz

Models without sensors or with pulse sensors (no PWM function) are available as options. Please refer to the index (p. 480).

## Dimensions (unit: mm)



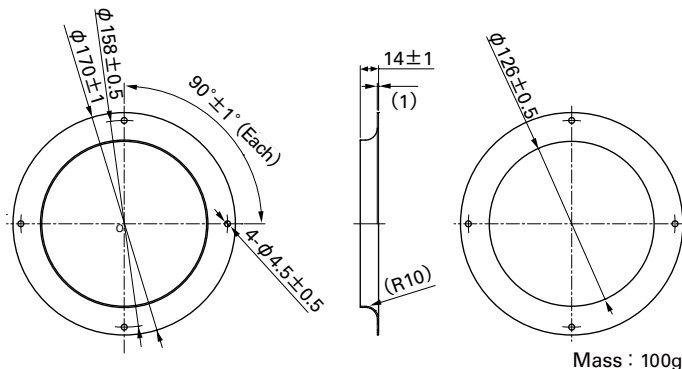
## Reference Dimensions of Mounting Holes and Vent Opening (unit: mm)



## Options (unit: mm)

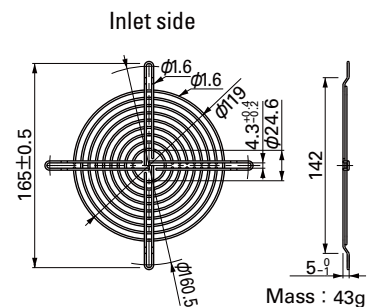
### Inlet Nozzle

Model : 109-1073 Material : Steel sheet Surface treatment : Electro nickel plating (silver) Color : (silver)  
: 109-1073H : Steel sheet : Cation electropainting (black)



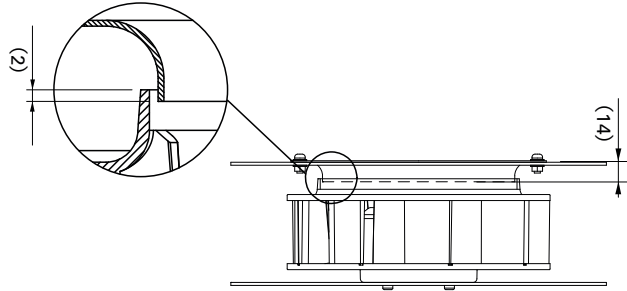
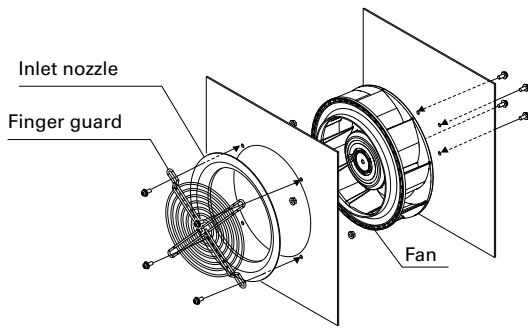
### Finger Guards

Model : 109-722 Surface treatment : Nickel-chrome plating (silver) Color : (silver)



Inlet nozzle : Nozzle mounted in fan inlet side to adjust the flow of introduced air

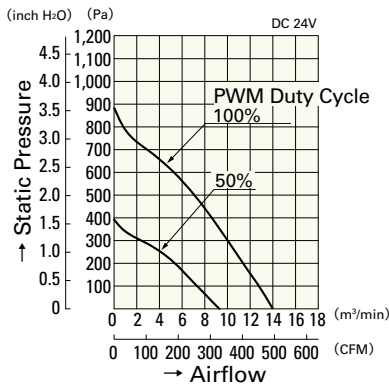
## Reference Diagram for Mounting



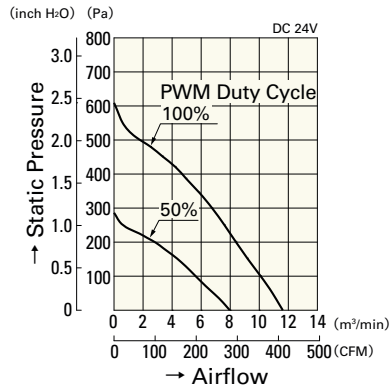
Screw length should be 4 mm or more but not exceeding 6 mm from fan edge face. To prevent screw from losing, use plain washer and spring washer.

## Airflow - Static Pressure Characteristics

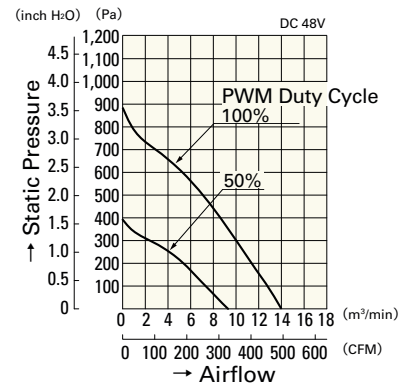
### PWM Duty Cycle



**9TG24P0G01**

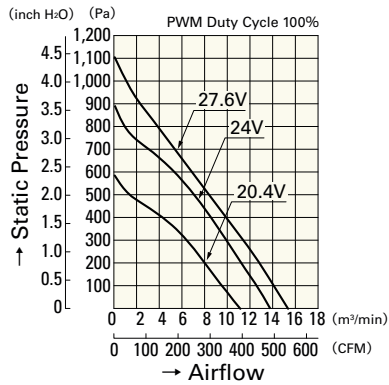


**9TG24P0S01**

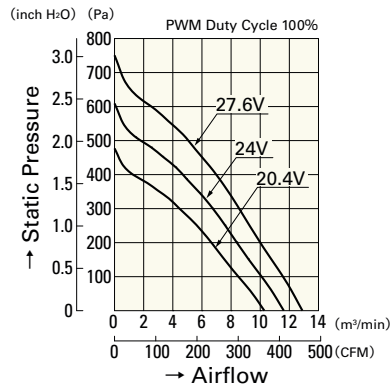


**9TG48P0G01**

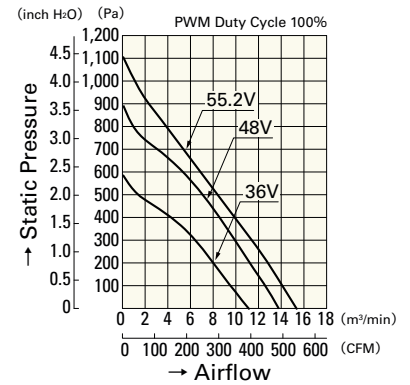
### Operating Voltage Range



**9TG24P0G01**

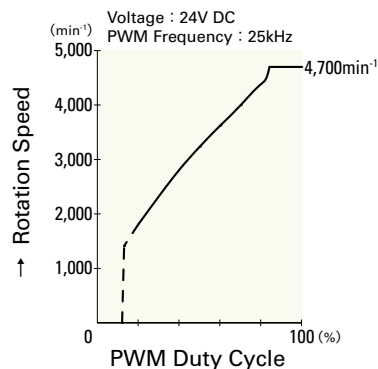


**9TG24P0S01**

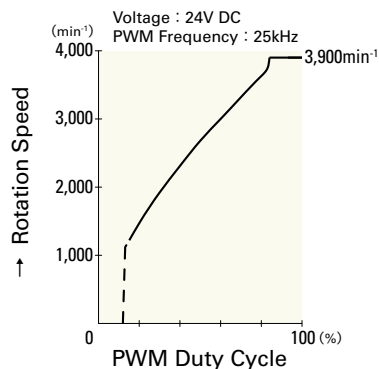


**9TG48P0G01**

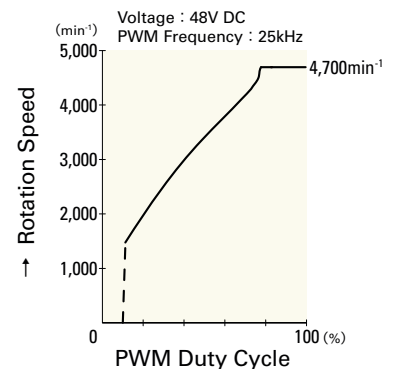
## PWM Duty - Speed Characteristics Example



**9TG24P0G01**



**9TG24P0S01**



**9TG48P0G01**