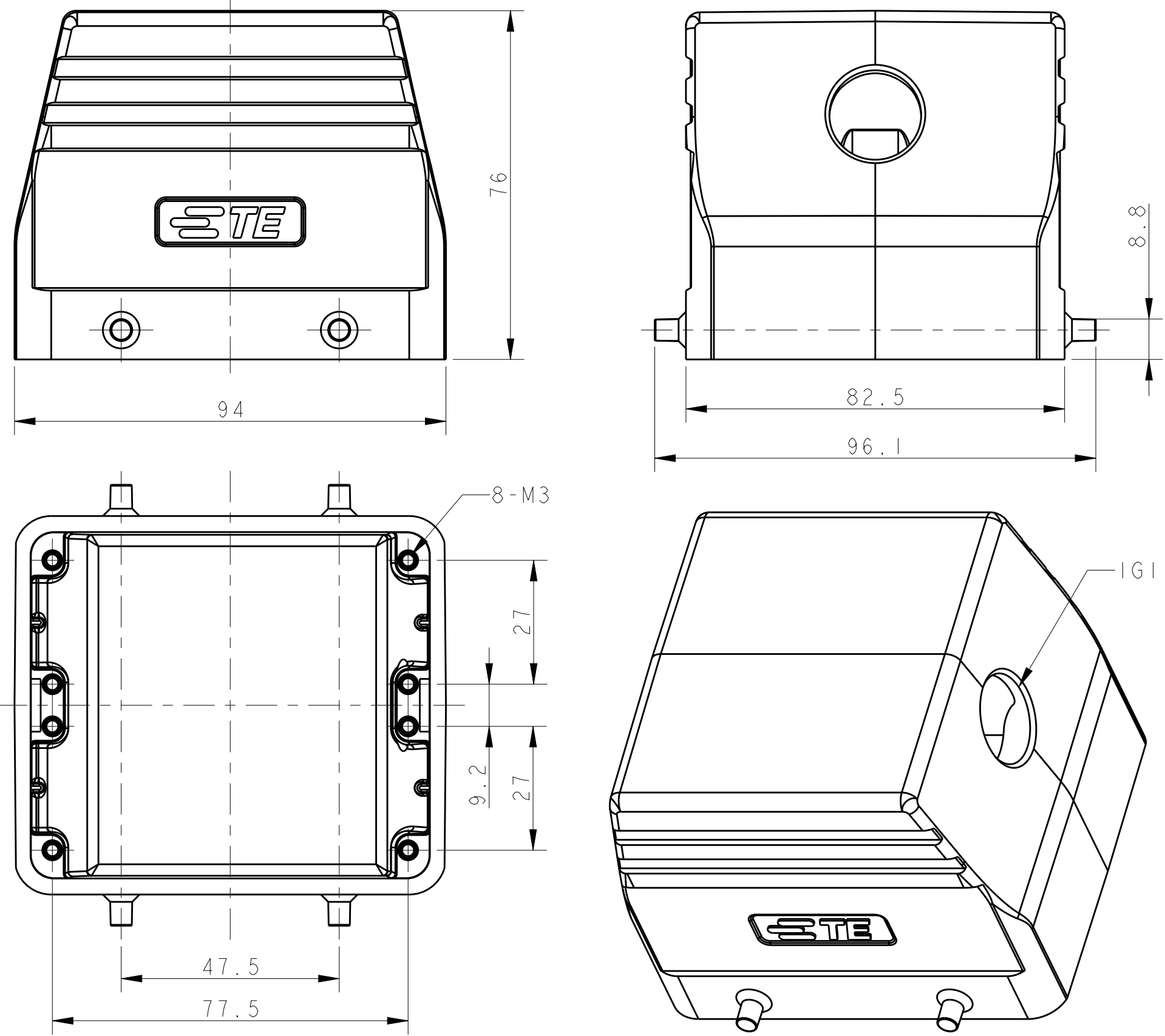
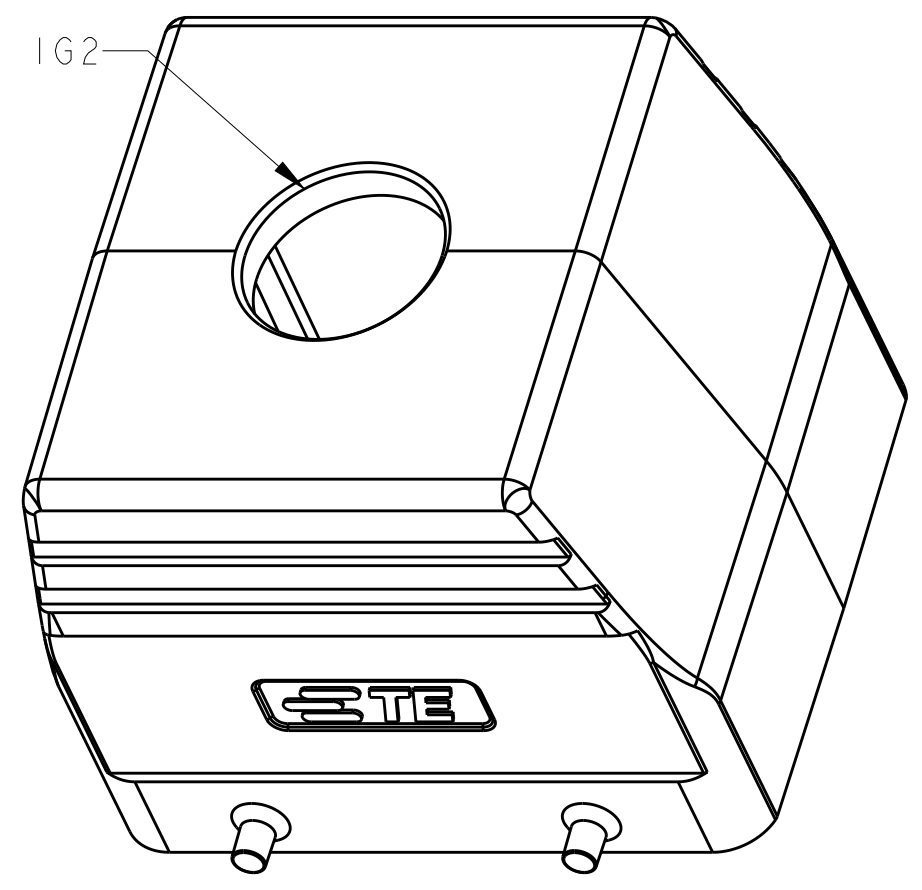


THIS DRAWING IS UNPUBLISHED. RELEASED FOR PUBLICATION 20
 © COPYRIGHT 20 BY - ALL RIGHTS RESERVED.

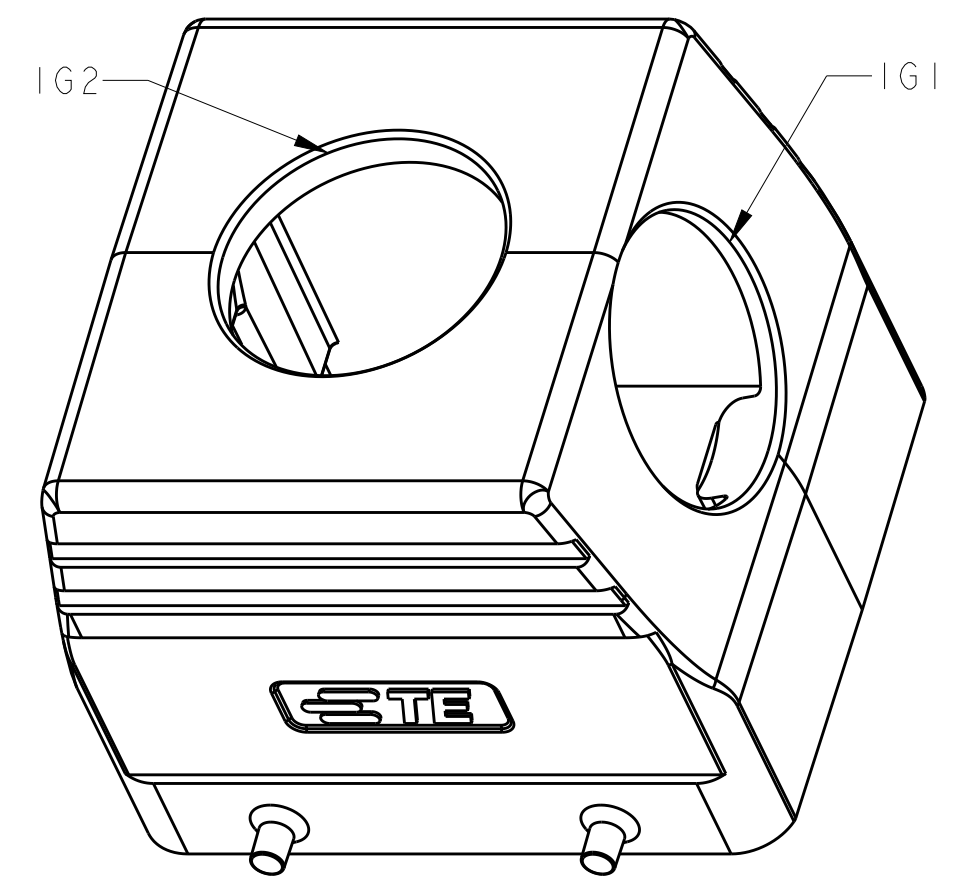
REVISIONS					
P	LTR	DESCRIPTION	DATE	DWN	APVD
A		INITIAL RELEASE	02JUN2015	DL	CW
AI		ECR-16-001148	27JAN2016	DL	CW



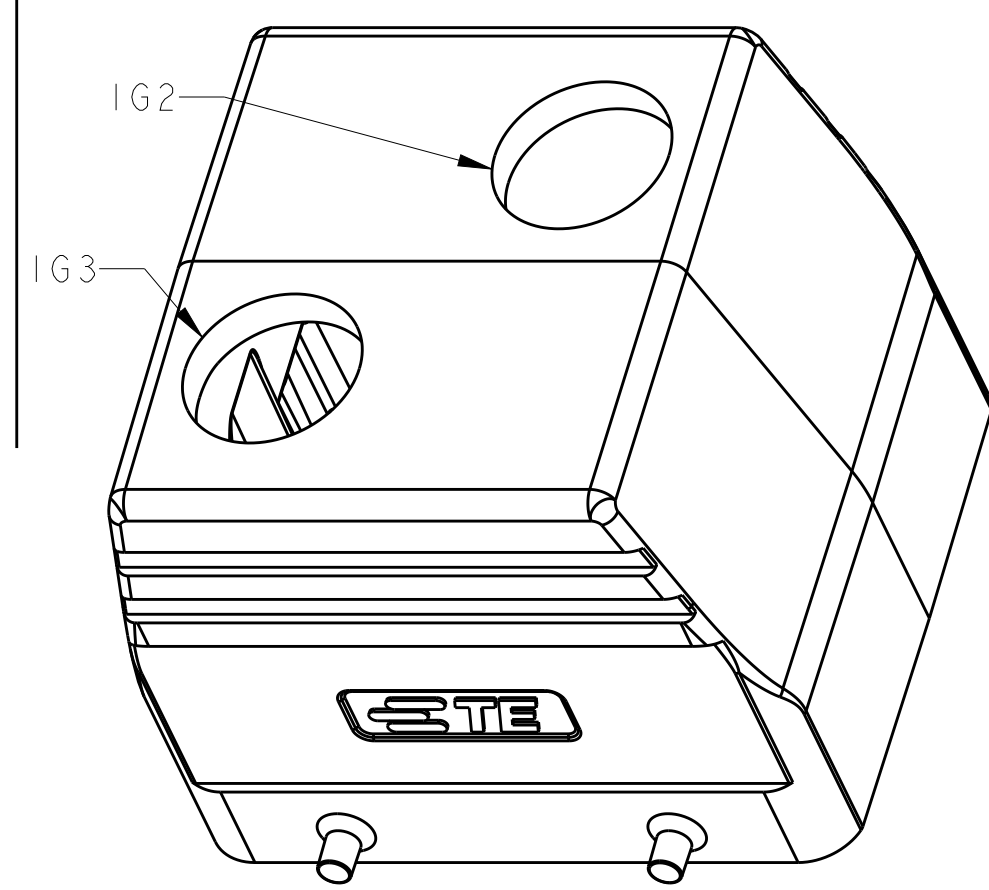
TYPE 1: H32B HOOD, SIDE ENTRY, 4 EAR
 类型 1: H32B上壳, 侧出, 4耳



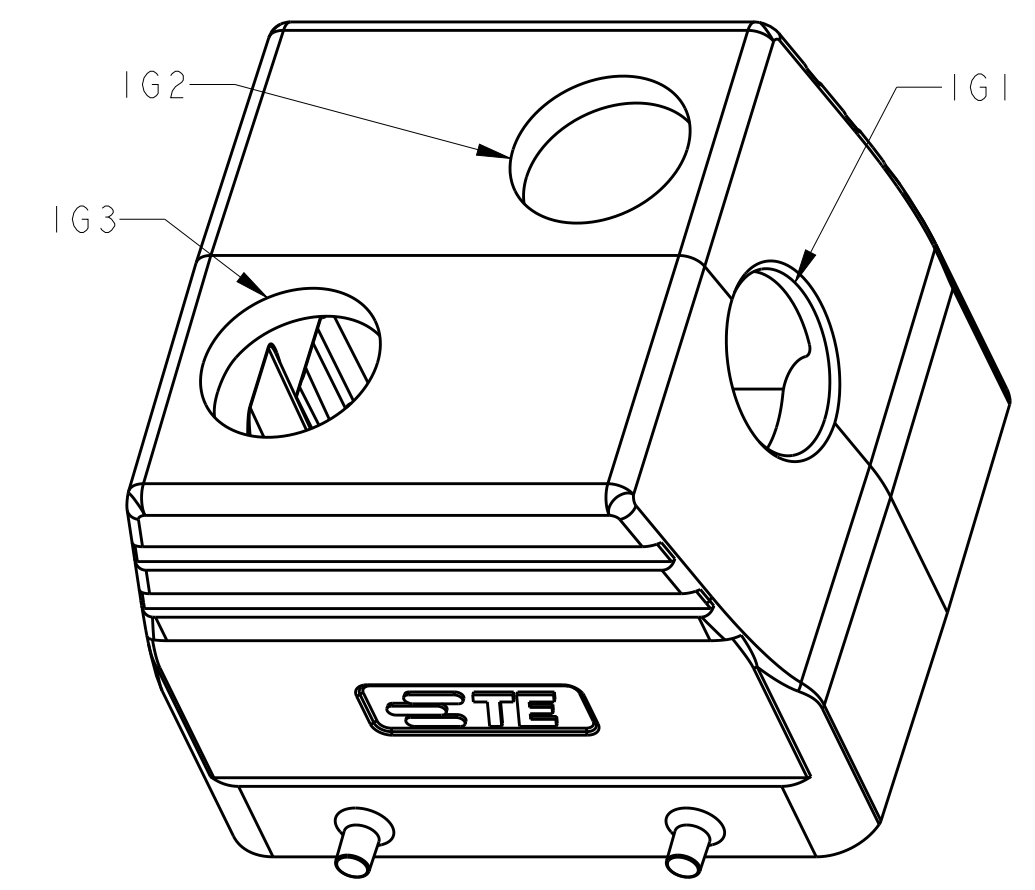
TYPE 2: H32B HOOD, TOP ENTRY, 4 EAR
 OTHER SPEC REFER TO TYPE 1
 类型 2: H32B上壳, 顶出, 4耳
 未注规格参照类型1



TYPE 3: H32B HOOD, SIDE/TOP ENTRY, 4 EAR
 OTHER SPEC REFER TO TYPE 1 & TYPE 2
 类型 3: H32B上壳, 侧顶出, 4耳
 未注规格参照类型1和类型2



TYPE 4: H32B HOOD, TOP ENTRY (2 HOLE), 4 EAR
 OTHER SPEC REFER TO TYPE 1
 类型 4: H32B上壳, 顶出(2孔), 4耳
 未注规格参照类型1



TYPE 5: H32B HOOD, SIDE ENTRY / TOP ENTRY (2 HOLE), 4 EAR
 OTHER SPEC REFER TO TYPE 4
 类型 5: H32B上壳, 侧出/顶出(2孔), 4耳
 未注规格参照类型4

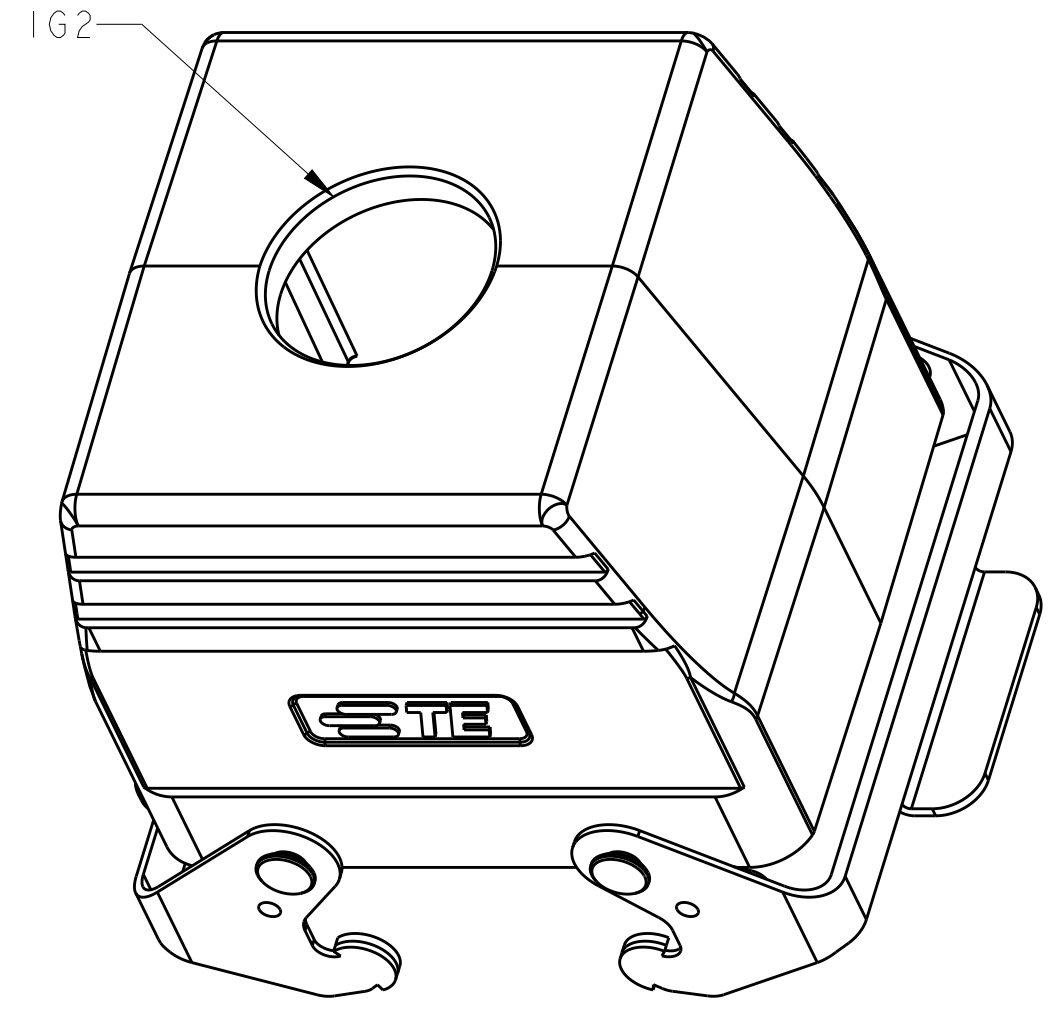
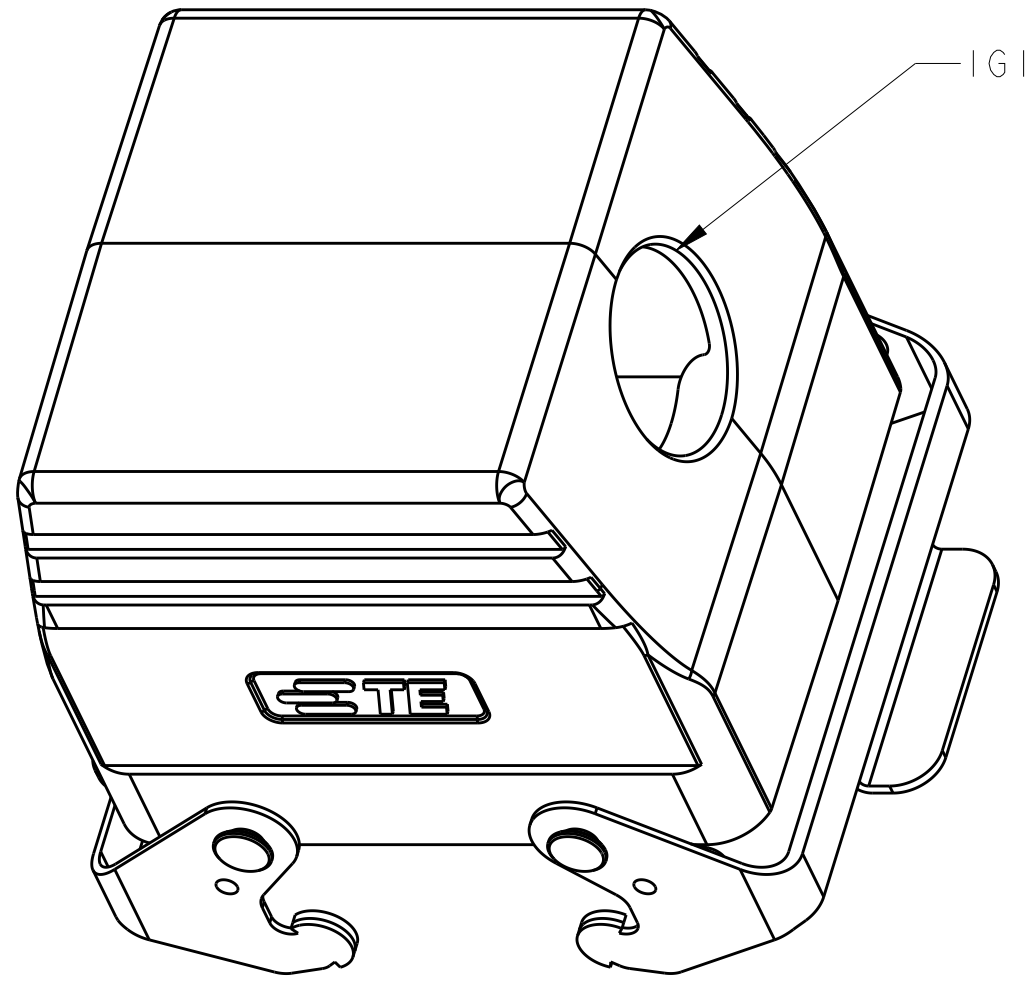
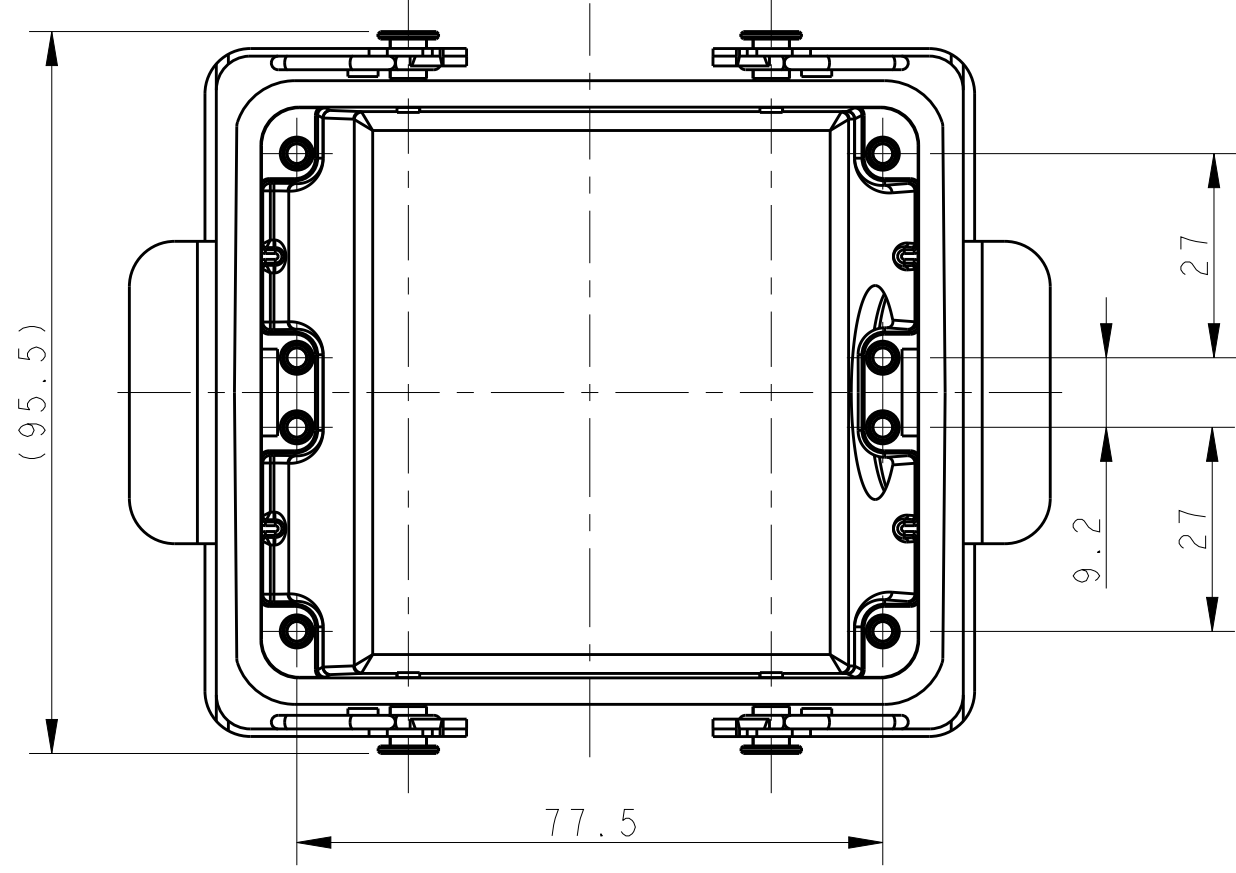
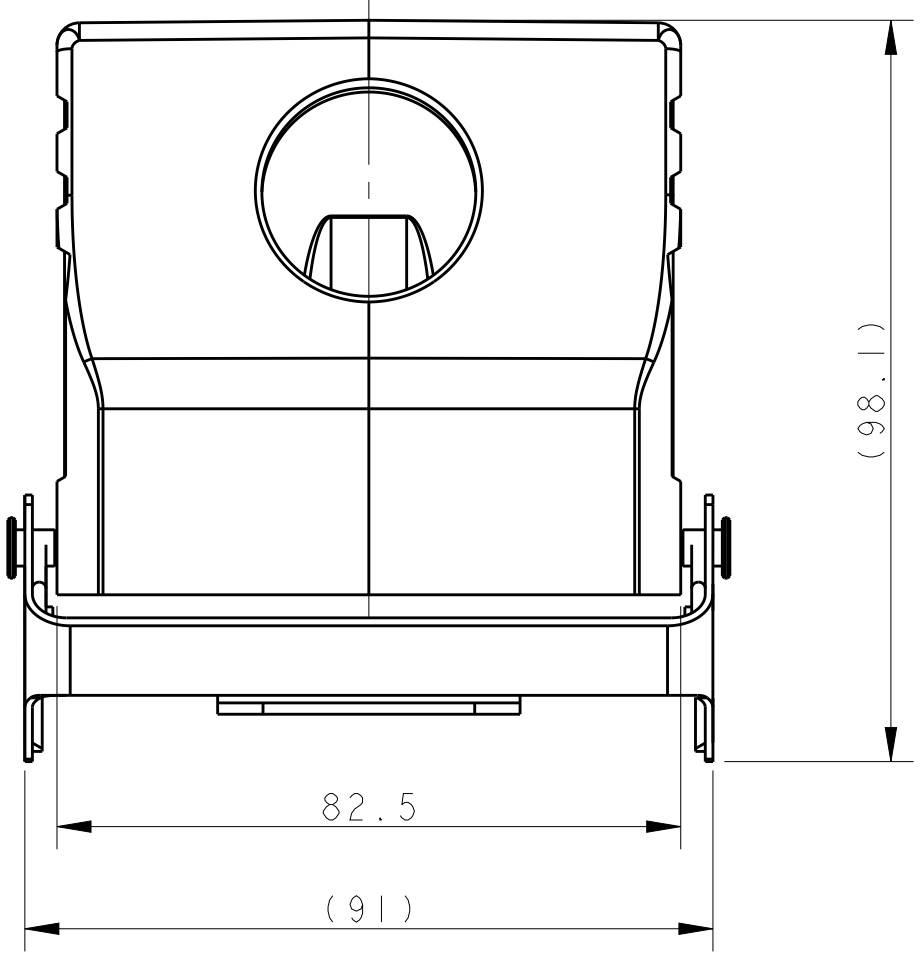
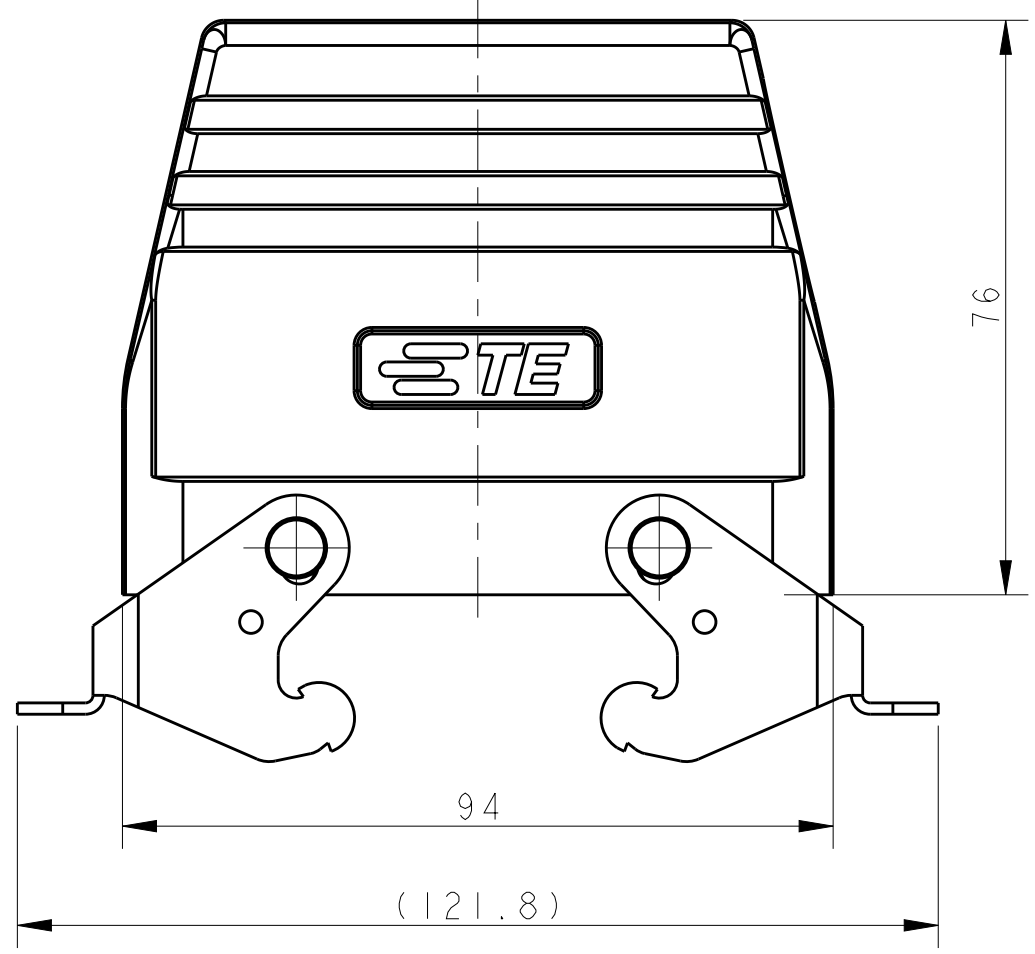
T1210320120-000	TYPE 1	H32B-TS-M20	M20	-	-
T1210320121-000		H32B-TS-PG21	PG21	-	-
T1210320125-000		H32B-TS-M25	M25	-	-
T1210320129-000		H32B-TS-PG29	PG29	-	-
T1210320132-000		H32B-TS-M32	M32	-	-
T1210320136-000		H32B-TS-PG36	PG36	-	-
T1210320140-000		H32B-TS-M40	M40	-	-
T1220320121-000	TYPE 2	H32B-TG-PG21	-	PG21	-
T1220320125-000		H32B-TG-M25	-	M25	-
T1220320129-000		H32B-TG-PG29	-	PG29	-
T1220320132-000		H32B-TG-M32	-	M32	-
T1220320136-000		H32B-TG-PG36	-	PG36	-
T1220320140-000		H32B-TG-M40	-	M40	-
T1220320142-000		H32B-TG-PG42	-	PG42	-
T1220320150-000	H32B-TG-M50	-	M50	-	
T1220320163-000	H32B-TG-M63	-	M63	-	
T1200320240-000	TYPE 3	H32B-TG/S-2M40	M40	M40	-
T1220320225-000	TYPE 4	H32B-TG-2M25	-	M25	M25
T1220320325-000	TYPE 5	H32B-TG-3M25	M25	M25	M25
PART NUMBER 料号	TYPE 类型	PART DESCRIPTION 描述	IG1 螺纹孔1	IG2 螺纹孔2	IG3 螺纹孔3

THIS DRAWING IS A CONTROLLED DOCUMENT.

DIMENSIONS: mm	TOLERANCES UNLESS OTHERWISE SPECIFIED: 0 PLC ± 1 PLC ± 2 PLC ± 3 PLC ± 4 PLC ± ANGLES ± FINISH	DWN DAVID LI 02JUN2015 CHK CHRIS WANG 02JUN2015 APVD XU XIANG 02JUN2015	TE Connectivity	
MATERIAL		PRODUCT SPEC 108-137013	NAME H32B-TS/TG/TSB/TGB-PG/M	
		APPLICATION SPEC 114-137013	SIZE A2	CAGE CODE -
		WEIGHT -	DRAWING NO G-T12X032XXXX000	RESTRICTED TO -
CUSTOMER DRAWING		SCALE 1:1	SHEET 1	OF 2
			REV A1	

THIS DRAWING IS UNPUBLISHED. RELEASED FOR PUBLICATION 20
 © COPYRIGHT 20 BY - ALL RIGHTS RESERVED.

REVISIONS				
P	LTR	DESCRIPTION	DATE	APVD
-	-	SEE SHEET 1	-	-



TYPE 6: H32B HOOD, SIDE ENTRY, WITH DOUBLE STEEL LOCKING

类型 6: H32B上壳, 侧出, 彩锌双扣

TYPE 7: H32B HOOD, TOP ENTRY, WITH DOUBLE STEEL LOCKING
 OTHER SPEC REFER TO TYPE 6

类型 7: H32B上壳, 顶出, 彩锌双扣
 未注规格参照类型6

NOTES:
 1. TECHNICAL CHARACTERISTICS:
 BODY MATERIAL: DIE CAST ALUMINIUM ALLOY
 SURFACE TREATMENT: POWDER-COATED, GRAY
 OPERATION TEMPERATURE: -40-+125°C
 DEGREE OF PROTECTION: IP65 (MATED)

注释:
 1. 技术参数:
 主体材料: 铝合金
 表面处理: 粉末喷涂, 灰色
 工作温度: -40-+125°C
 防护等级: IP65(配合)

T1250322121-000	TYPE 6	H32B-TSB-PG21	PG21	-
T1250322129-000		H32B-TSB-PG29	PG29	-
T1250322132-000		H32B-TSB-M32	M32	-
T1260320132-000	TYPE 7	H32B-TGB-M32	-	M32
T1260320136-000		H32B-TGB-PG36	-	PG36
T1260320140-000		H32B-TGB-M40	-	M40
T1260322121-000		H32B-TGB-PG21	-	PG21
T1260322129-000		H32B-TGB-PG29	-	PG29
PART NUMBER 料号	TYPE	PART DESCRIPTION 描述	IG1 螺纹孔1	IG2 螺纹孔2

DIMENSIONS:		TOLERANCES UNLESS OTHERWISE SPECIFIED:		APVD		NAME	
mm	0 PLC ±	1 PLC ±	2 PLC ±	3 PLC ±	4 PLC ±	108-137013	H32B-TS/TG/TSB/TGB-PG/M
	ANGLES ±	FINISH				114-137013	SIZE A2
MATERIAL						WEIGHT	CAGE CODE -
							DRAWING NO. C-T12X032XXXX000
							RESTRICTED TO
							SCALE 1:1 SHEET 2 OF 2 REV A1