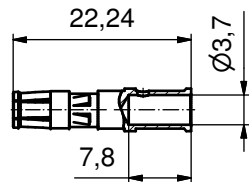
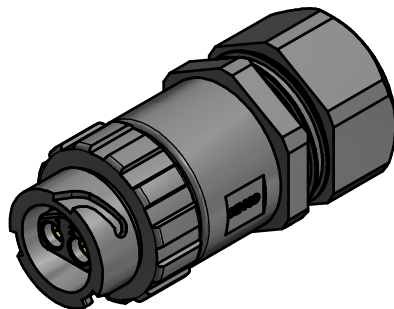
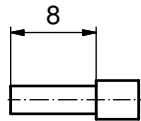


2 CONTACTS WILL BE SUPPLIED LOOSE



STRIPPING DIMENSIONS



NOTES:

1. MATERIAL AND FINISH:

- COUPLER RING: PA GF (BLACK); UL94 V-0; UL (f1) RATED
- HOUSING: PA GF (BLACK); UL94 V-0; UL (f1) RATED
- CABLE GLAND: PA (BLACK), UL94 V-0; UL (f1) RATED
- CABLE GLAND RUBBER RING: NBR; COLOR: BLACK
- CABLE FITTING: PA (BLACK); UL94 V-0; UL (f1) RATED
- INTERFACIAL SEAL: SILICONE; COLOR: RED
- RETAINING RING: STAINLESS STEEL

2. HIGH POWER CONTACTS; CRIMP; 30A



- FOR USE WITH CABLE AWG 10 -12
- MATERIAL: COPPER ALLOY
- PLATING, MATING AREA: GOLD FLASH over NICKEL
- PLATING, TERMINATION SIDE: 160-240µin TIN over 80µin NICKEL
- CONTACTS WILL BE SUPPLIED LOOSE
- CRIMPING: USE CRIMP TOOL 360X10409X WITH TOOL INSERT 360X20029X
- SELECTOR SETTINGS: 7 FOR AWG 10; 6 FOR AWG 12

3. OPERATING TEMPERATURE: -40°C to +100°C

4. WORKING VOLTAGE: 48V AC/DC

5. IP67 RATED WHEN COVERED OR FULLY MATED WITH THE APPROPRIATE MATING CONNECTOR

RoHS compliant

THIS DRAWING MAY NOT BE COPIED OR REPRODUCED IN ANY WAY, AND MAY NOT BE PASSED ON TO A THIRD PARTY WITHOUT WRITTEN PERMISSION. OWNERSHIP AND COPYRIGHT OF CONEC GmbH DO NOT ALTER CAD DRAWING BY HAND			 scale: 1,5:1 material: see notes	
			title: IP67 POWER BAJONET 2pos SOCKET KIT / CRIMP cable mount Ø9-16mm	
			dwg no: 17K1A466	
			part no: 17-400433	
			DIN-A3 sh: 1	
date drawn 30.06.15 appd. 30.06.15 norm d-old	name Henneboel Strakerjahn			
rev. description a Original	date name			