

MODEL:

# SRDVRLB

## 5U Security DVR Lockbox Enclosure



5 Rack Units



60 lb  
Load Rating



Locking  
Front Door



Convenient  
Cable Access



Adjustable  
Mounting Rails



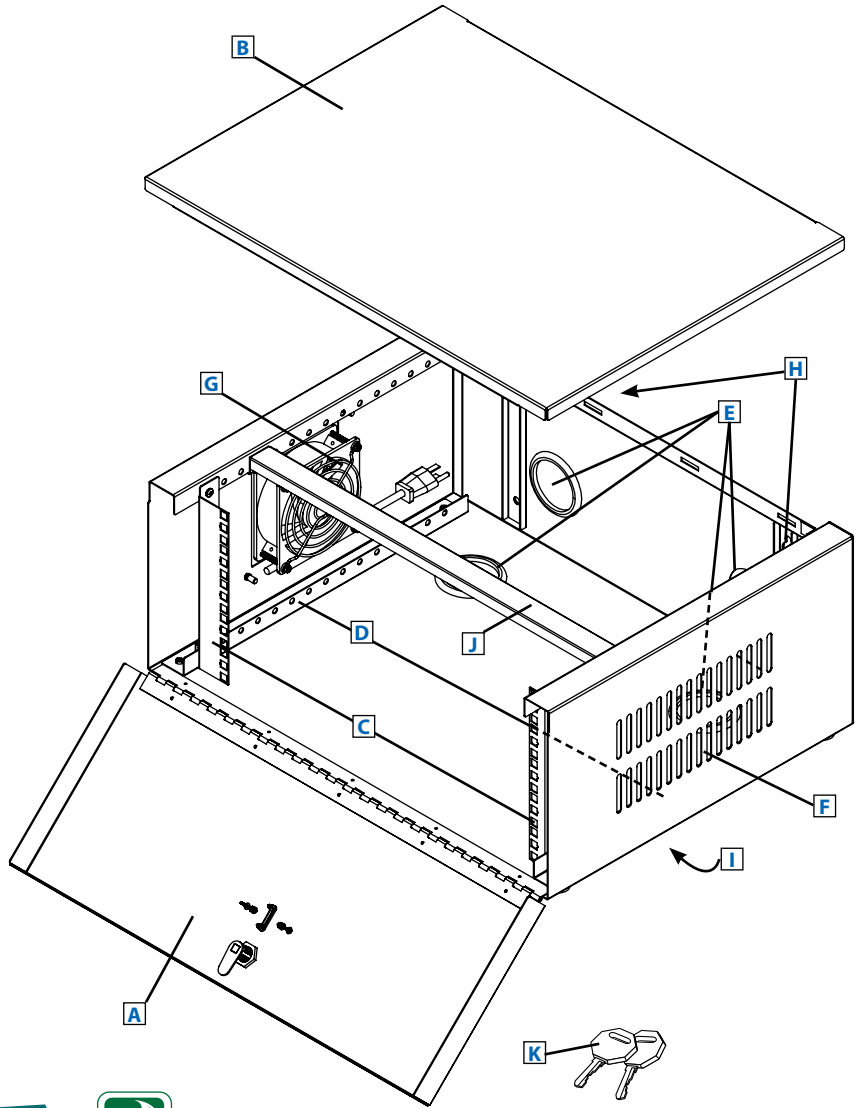
Pre-Installed  
Cooling Fan



Square Hole  
Mounting

- A** Locking Front Door
- B** Removable Top Panel
- C** Vertical Mounting Rails (2)
- D** Horizontal Rails (2)
- E** Bottom and Rear Cable Access Ports (4)  
(Include removable covers)
- F** Vent
- G** Cooling Fan with Washable Air Filter
- H** Mounting Keyholes and Support Mounting Holes
- I** Bottom Mounting Holes
- J** Removable Cross Support Brace  
(Used for Wall Mounting the Enclosure)
- K** Keys (2)

Also Includes: Owner's manual and rackmount equipment mounting hardware (20 cage nuts, 20 M6-1 x 12 mm screws, 20 nylon cup washers, 6 #10-32 x 5/8" screws, 6 #10-32 nuts)



- Securely stores and cools a digital video recorder (DVR) to protect it from damage, tampering or theft
- Preinstalled cooling fan with washable air filter blows cold air and prevents dust from entering the enclosure
- Fully assembled and ready to mount to wall, floor or table
- Ideal for retail outlets, warehouses, offices and other locations that use a DVR for security purposes

### Specifications

Model	SRDVRLB
Rack Spaces	5U
Equipment Mounting Depth	Up to 16.25 in (413 mm)
Load Rating*	60 lb (27 kg)
Unit Dimensions (H x W x D)	9.99 x 24.29 x 18.88 in. (254 x 617 x 480 mm)
Shipping Dimensions (H x W x D)	13.58 x 22.44 x 28.11 in. (345 x 570 x 714 mm)
Unit Weight	28.66 lb (13 kg)
Shipping Weight	34.17 lb (15 kg)
Standards	Meets PCI DSS and RoHS standards

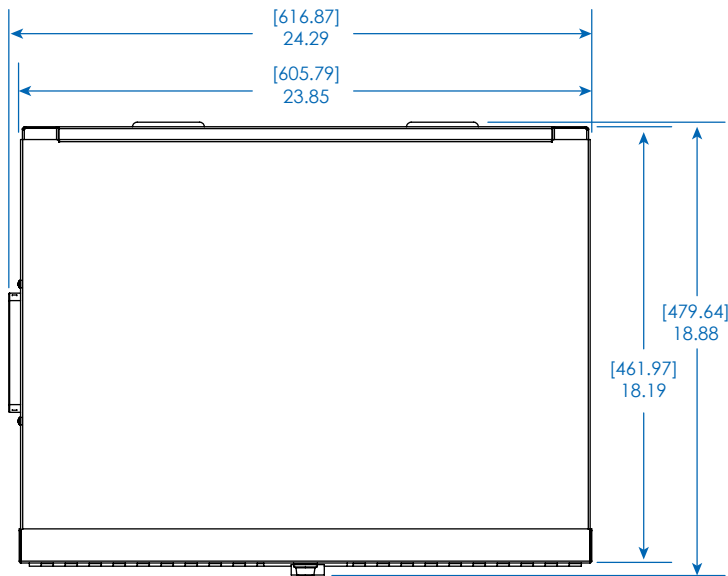
\* The load rating includes the combined weight of the unit and installed equipment. The unit must be mounted to a stable surface with user-supplied anchors capable of bearing the full load. Tripp Lite has a policy of continuous improvement. Specifications are subject to change without notice.



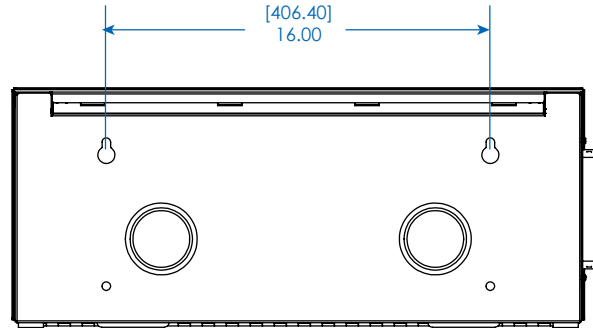
SEE NEXT PAGE FOR DETAILED UNIT MEASUREMENTS



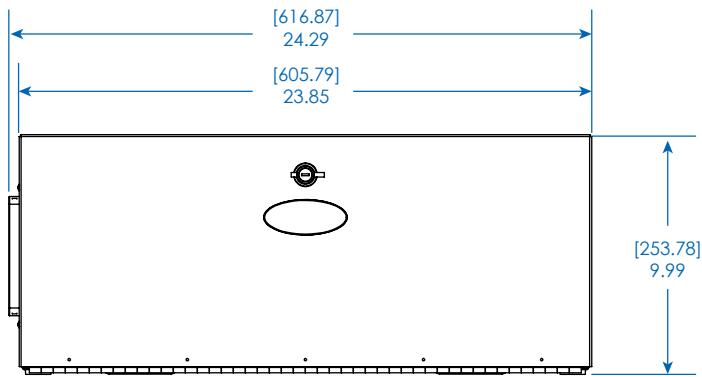
1111 W. 35th Street  
Chicago, IL 60609 USA  
773.869.1234  
www.tripplite.com



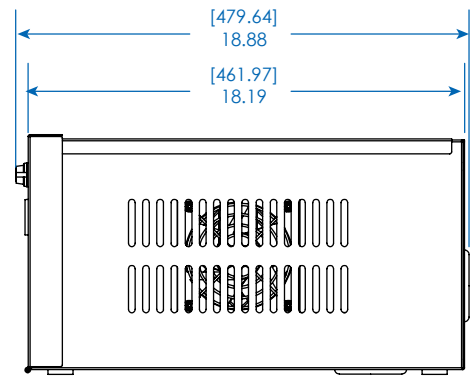
TOP VIEW



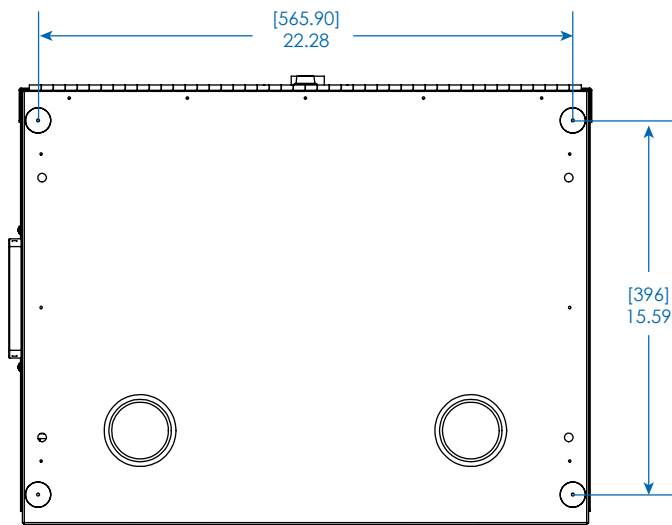
REAR VIEW



FRONT VIEW



SIDE VIEW



BOTTOM VIEW

MODEL:  
**SRDVRLB**  
**TRIPP·LITE**

1111 W. 35th Street  
 Chicago, IL 60609 USA  
 773.869.1234  
 www.tripplite.com

Dimensions: [mm] INCHES

Tripp Lite has a policy of continuous improvement. Specifications are subject to change without notice.