

HEADERS CODINGS

(CODING 2 SHOWN)

HEADERS CODINGS FOR MODULE T2 (32W)					
COLOR	CODING	DIM. A	DIM. B	DIM. C	DIM. D
BLACK	1	9.1	4.3	5.9	4.3
GREY	2	7.5	5.9	9.1	5.9
BROWN	3	5.9	7.5	9.1	9.1
GREEN	4	7.5	9.1	4.3	4.3
BLUE	5	4.3	7.5	5.9	5.9
YELLOW	6	9.1	7.5	4.3	7.5

(CODING 3 SHOWN)

HEADERS CODINGS FOR MODULE T3 (48W)					
COLOR	CODING	DIM. A	DIM. B	DIM. C	DIM. D
BLACK	1	12.9	6.3	8.5	6.3
GREY	2	10.7	8.5	12.9	8.5
BROWN	3	8.5	10.7	12.9	12.9
GREEN	4	10.7	12.9	6.3	6.3
BLUE	5	6.3	10.7	8.5	8.5
YELLOW	6	12.9	10.7	6.3	10.7

NOTE:

- 1- INTERFACE DEFINITION BASED ON NFR13-462 STANDARD.
- 2- HEADER: ELASTICITY MODULUS: 8000Mpa min. (INITIAL CONDITION BEFORE AGEING)

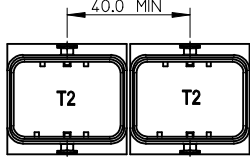
ENTER DESCRIPTION EC NO: G2010-0220 DRAWN: POCHELE 2010/05/20 CHKD: J. GIURIATO 2008/10/03 APPR: CBOU/CHAN 2010/06/29	DESCRIPTION GENERAL TOLERANCES (UNLESS SPECIFIED) <table border="1"> <tr> <th></th> <th>mm</th> <th>INCH</th> </tr> <tr> <td>4 PLACES</td> <td>± ---</td> <td>± ---</td> </tr> <tr> <td>3 PLACES</td> <td>± ---</td> <td>± ---</td> </tr> <tr> <td>2 PLACES</td> <td>± 0.10</td> <td>± ---</td> </tr> <tr> <td>1 PLACE</td> <td>± 0.10</td> <td>± ---</td> </tr> </table> ANGULAR ± 2 ° DRAFT WHERE APPLICABLE MUST REMAIN WITHIN DIMENSIONS		mm	INCH	4 PLACES	± ---	± ---	3 PLACES	± ---	± ---	2 PLACES	± 0.10	± ---	1 PLACE	± 0.10	± ---	DIMENSION STYLE MM ONLY DRAWN BY: G. DESBRUERES 2008/10/02 DATE: 2008/10/02 CHECKED BY: J. GIURIATO 2008/10/03 DATE: 2008/10/03 APPROVED BY: O. PLESSIS 2008/10/06 DATE: 2008/10/06 MATERIAL NO. N/A	SCALE 2:1 DESIGN UNITS METRIC FIRST ANGLE PROJECTION	TITLE INTERFACES FOR CONNECTOR 32 & 48 CKT CMC GENERIC SALES DRAWING MOLEX INCORPORATED DOCUMENT NO. SD-98644-006 SHEET NO. 1 OF 3
			mm	INCH															
4 PLACES	± ---	± ---																	
3 PLACES	± ---	± ---																	
2 PLACES	± 0.10	± ---																	
1 PLACE	± 0.10	± ---																	
SIZE A2 THIS DRAWING CONTAINS INFORMATION THAT IS PROPRIETARY TO MOLEX INCORPORATED AND SHOULD NOT BE USED WITHOUT WRITTEN PERMISSION																			

CONNECTOR ON HEADER - OVERALL DIMENSIONS

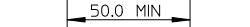
MULTI-HEADERS LAYOUT

LAYOUT FOR TWO INTERFACES T2 (32W)

FOR SAME HARNESS EXIT CONFIGURATION

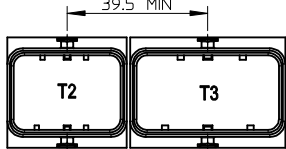


FOR OPPOSITE HARNESS EXIT CONFIGURATION

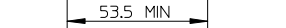


LAYOUT FOR TWO INTERFACES T2 (32W) AND T3 (48W)

FOR SAME HARNESS EXIT CONFIGURATION

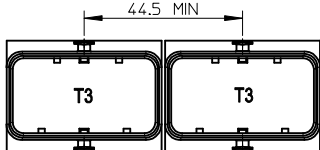


FOR OPPOSITE HARNESS EXIT CONFIGURATION

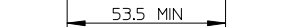


LAYOUT FOR TWO INTERFACES T3 (48W)

FOR SAME HARNESS EXIT CONFIGURATION



FOR OPPOSITE HARNESS EXIT CONFIGURATION

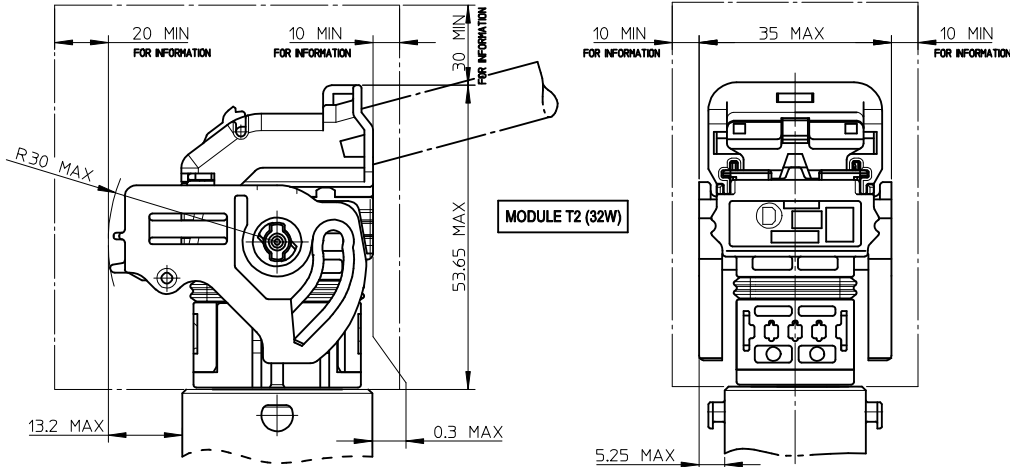


LEGEND:

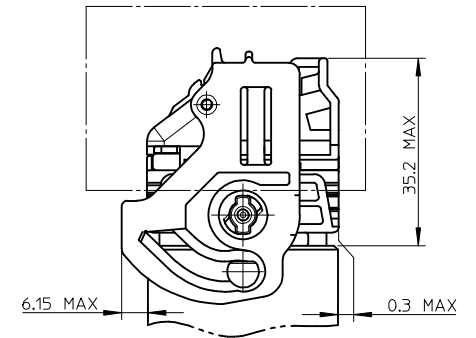


FREE VOLUME FOR MANUAL LOCKING AND UNLOCKING
DIMENSIONS GIVEN FOR INFORMATION ONLY TO BE
CONFIRMED BASED UPON VEHICLE CONFIGURATION.

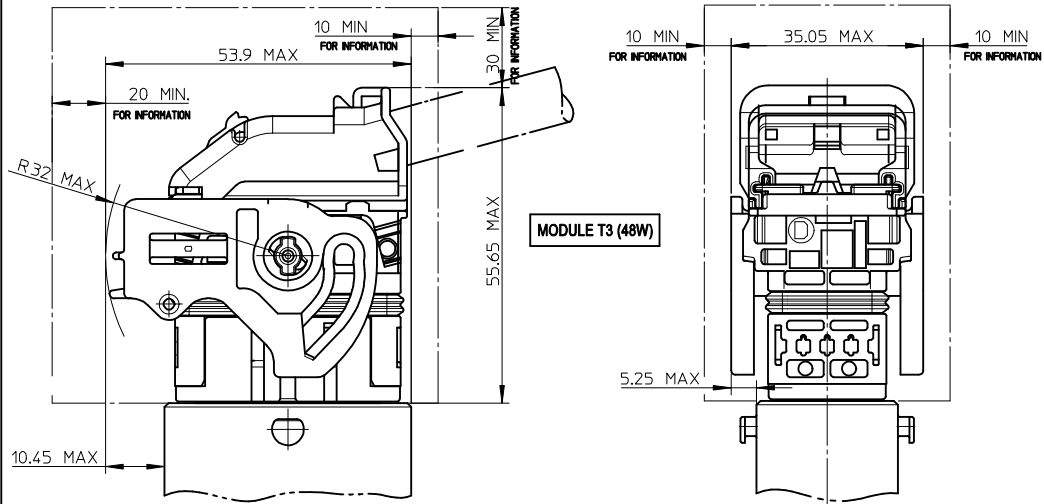
UNLOCKED CONNECTOR - OVERALL DIMENSIONS



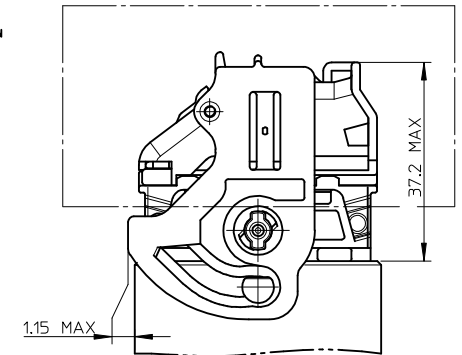
LOCKED CONNECTOR - OVERALL DIMENSIONS



UNLOCKED CONNECTOR - OVERALL DIMENSIONS



LOCKED CONNECTOR - OVERALL DIMENSIONS



NOTE:
1- T2 = 32 WAY / T3 = 48 WAY

REV	DESCRIPTION
0	ENTER DESCRIPTION
1	EC NO: G2010-0220
2	DRW: NPDECHELE 2010/05/20
3	CHKD: J. GIURIATO 2008/10/03
4	APPR: EBOUCHAN 2010/06/29

GENERAL TOLERANCES (UNLESS SPECIFIED)	
	mm
4 PLACES	± 0.10
3 PLACES	± 0.15
2 PLACES	± 0.20
1 PLACE	± 0.30
ANGULAR ± 2 °	

DIMENSION STYLE	
MM ONLY	
DRAWN BY	DATE
G. DESBRUERES	2008/10/02
CHECKED BY	DATE
J. GIURIATO	2008/10/03
APPROVED BY	DATE
O. PLESSIS	2008/10/06
MATERIAL NO.	
N/A	

SCALE	DESIGN UNITS	FIRST ANGLE PROJECTION
1:1	METRIC	
TITLE		
INTERFACES FOR CONNECTOR 32 & 48 CKT CMC		
GENERIC SALES DRAWING		
MOLEX INCORPORATED		
DOCUMENT NO.	SD-98644-006	SHEET NO. 3 OF 3
THIS DRAWING CONTAINS INFORMATION THAT IS PROPRIETARY TO MOLEX INCORPORATED AND SHOULD NOT BE USED WITHOUT WRITTEN PERMISSION		

