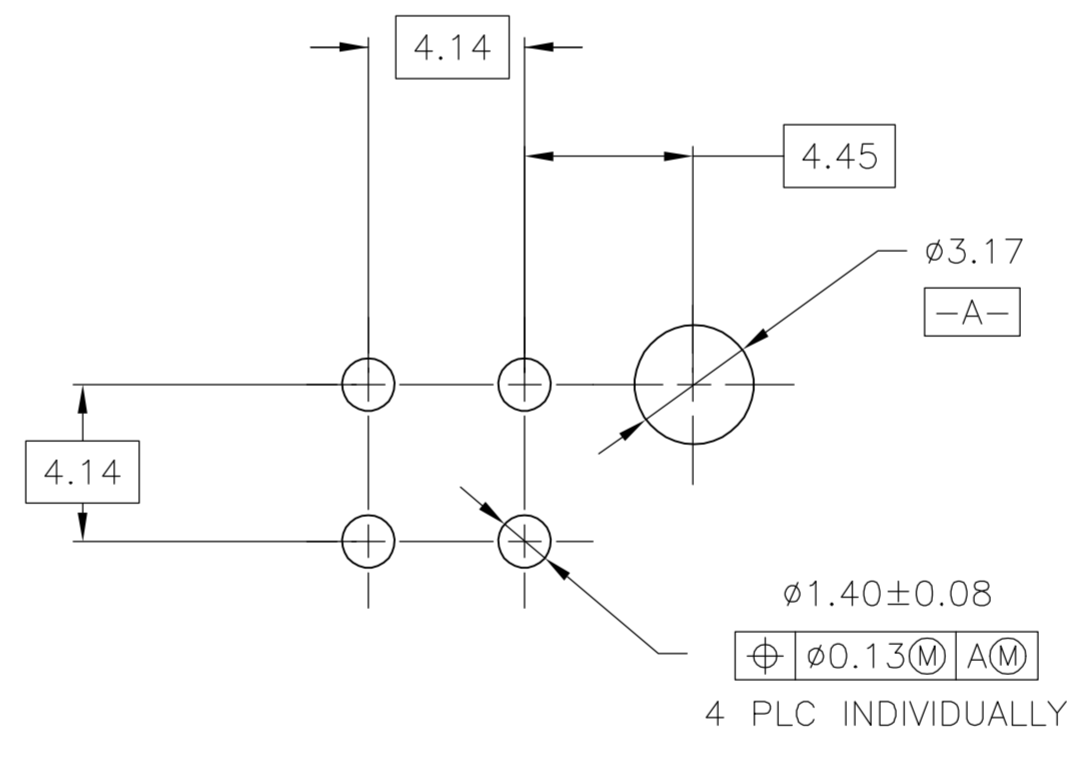
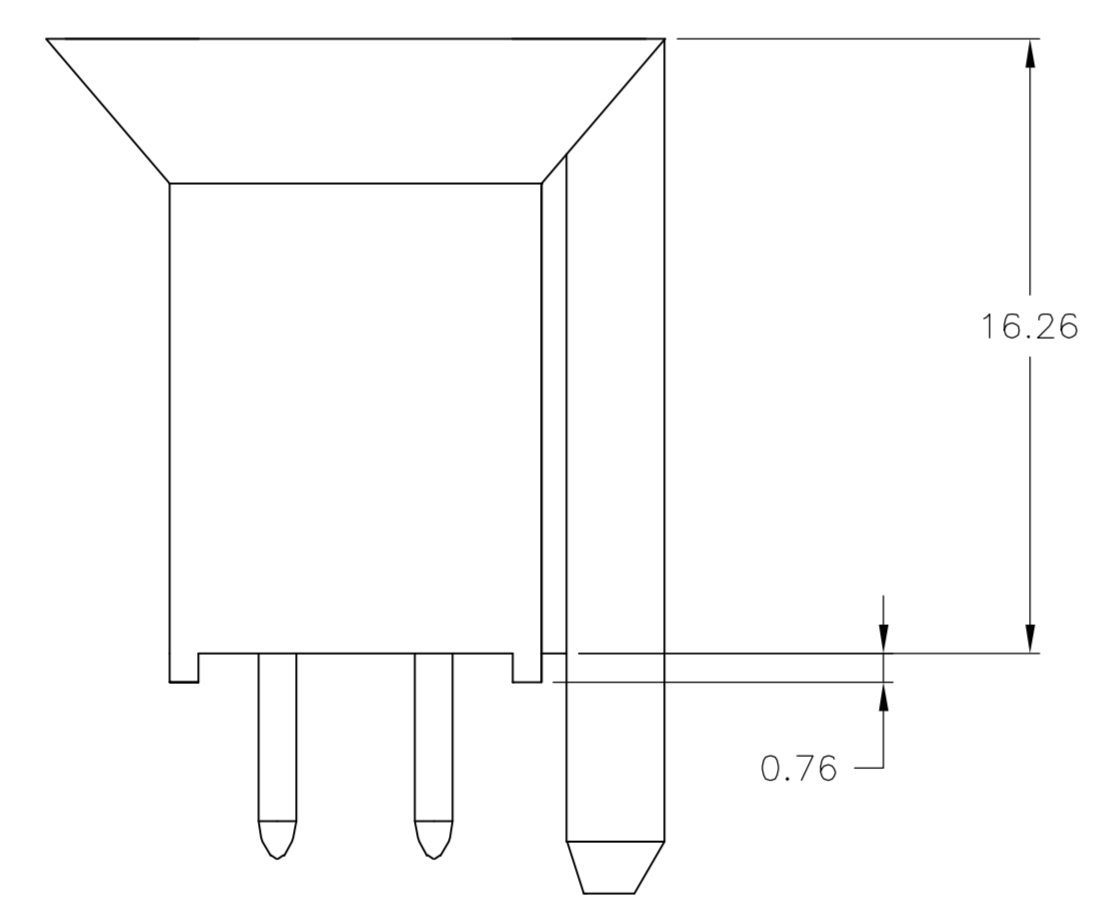
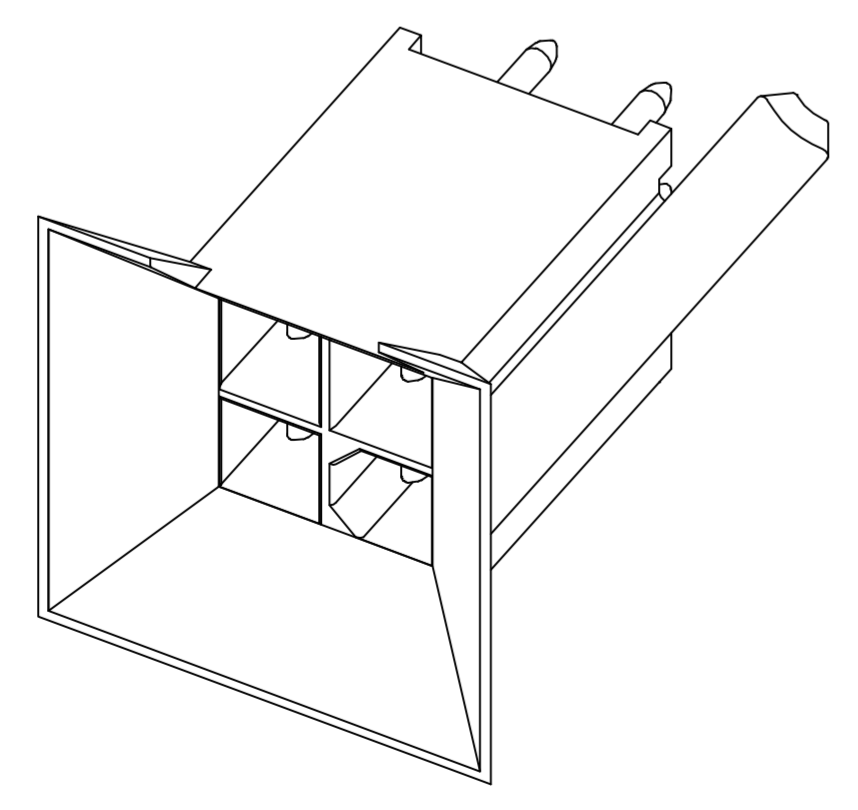


1. PINS TO COMPLY WITH AMP SOLDERABILITY SPEC. 108-11-3.
2. 0.00381 MIN MATTE TIN LEAD OVER 0.00127 MIN NICKEL.
3. 0.00076 MIN GOLD PLATE IN THE LOCALIZED PLATE AREA, 0.00381 MATTE TIN LEAD IN THE LOCALIZED PLATE AREA, BOTH OVER 0.00127 MIN NICKEL.
4. 0.00381 MIN MATTE TIN PLATE OVER 0.00127 MIN NICKEL.
5. 0.00076 MIN GOLD PLATE IN THE LOCALIZED GOLD PLATE AREA, 0.00381 MIN MATTE TIN IN THE LOCALIZED TIN PLATE AREA, BOTH OVER 0.00127 MIN NICKEL.



RECOMMENDED MOUNTING HOLE PATTERN FOR 1.57 THICK P.C.BOARD



1.000	.0394	16.38	.645
0.76	.030	16.26	.640
0.25	.010	5.08	.200
0.13	.005	4.70	.185
0.08	.003	4.45	.175
0.051	.0020	4.14	.163
0.00381	0.000150	3.17	.125
0.00127	0.000050	1.57	.062
0.00076	0.000030	1.40	.055
MM	IN	MM	IN

CONVERSION TABLE

BRASS, GOLD	5	NYLON, 94V-0, WHITE	1-794325-1
BRASS, TIN	4	NYLON, 94V-0, WHITE	1-794325-0
BRASS, GOLD	3	NYLON, 94V-0, WHITE	794325-2
BRASS, TIN LEAD	2	NYLON, 94V-0, WHITE	794325-1
PIN CONTACT MATERIAL AND FINISH		HOUSING MATERIAL AND COLOR	PART NUMBER
THIS DRAWING IS A CONTROLLED DOCUMENT.			
DIMENSIONS: mm TOLERANCES UNLESS OTHERWISE SPECIFIED: 0 PLC ± - 1 PLC ± - 2 PLC ± 0.13 3 PLC ± - 4 PLC ± - ANGLES ± -		DWN: K. WHITAKER 10 APR 97 CHK: R. SWING 10 APR 97 APVD: R. ORSTAD 10 APR 97 NAME: R. ORSTAD PRODUCT SPEC: - APPLICATION SPEC: - WEIGHT: - CUSTOMER DRAWING: -	
MATERIAL: SEE TABLE FINISH: SEE TABLE		Tyco Electronics Corporation Harrisburg, PA 17105-3608 HEADER ASSEMBLY, BLIND MATE, 4 CIRCUIT, MINI-UNIVERSAL MATE-N-LOK(TM) SIZE: A1 CAGE CODE: 00779 DRAWING NO: 794325 SCALE: 5:1 SHEET: 1 OF 1 REV: C	

