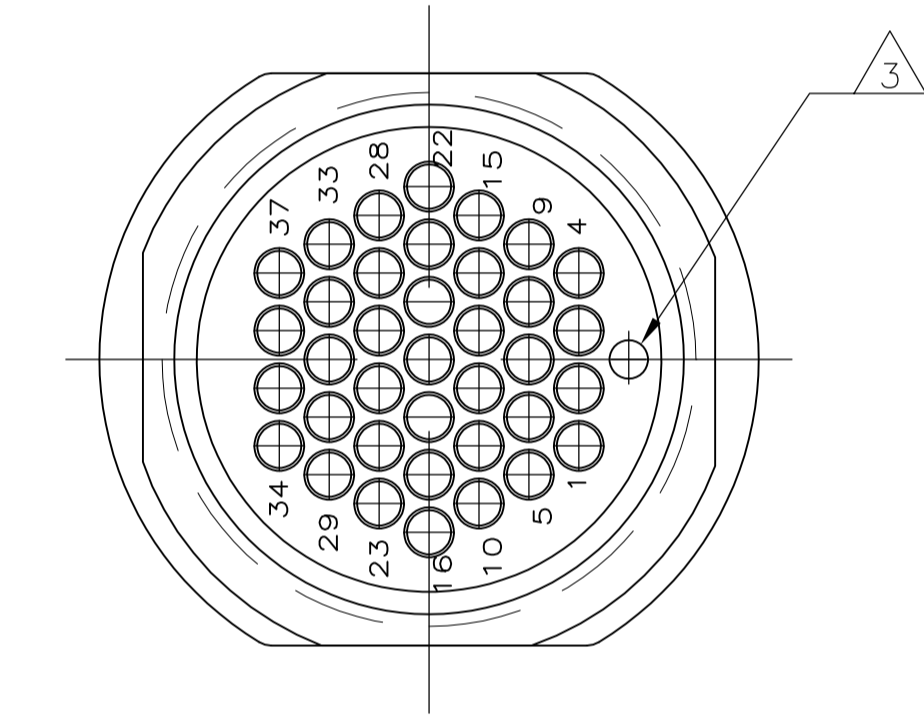
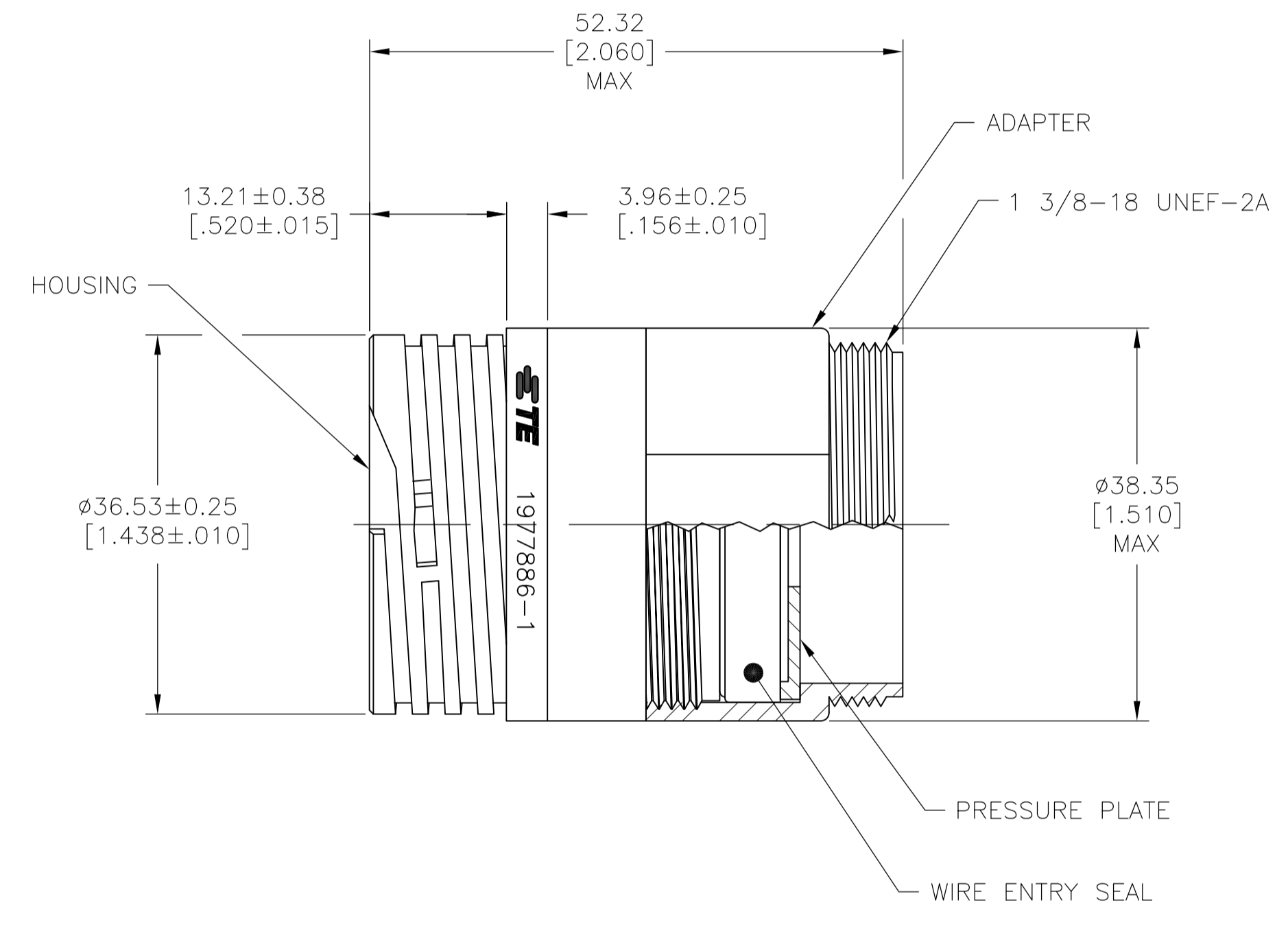
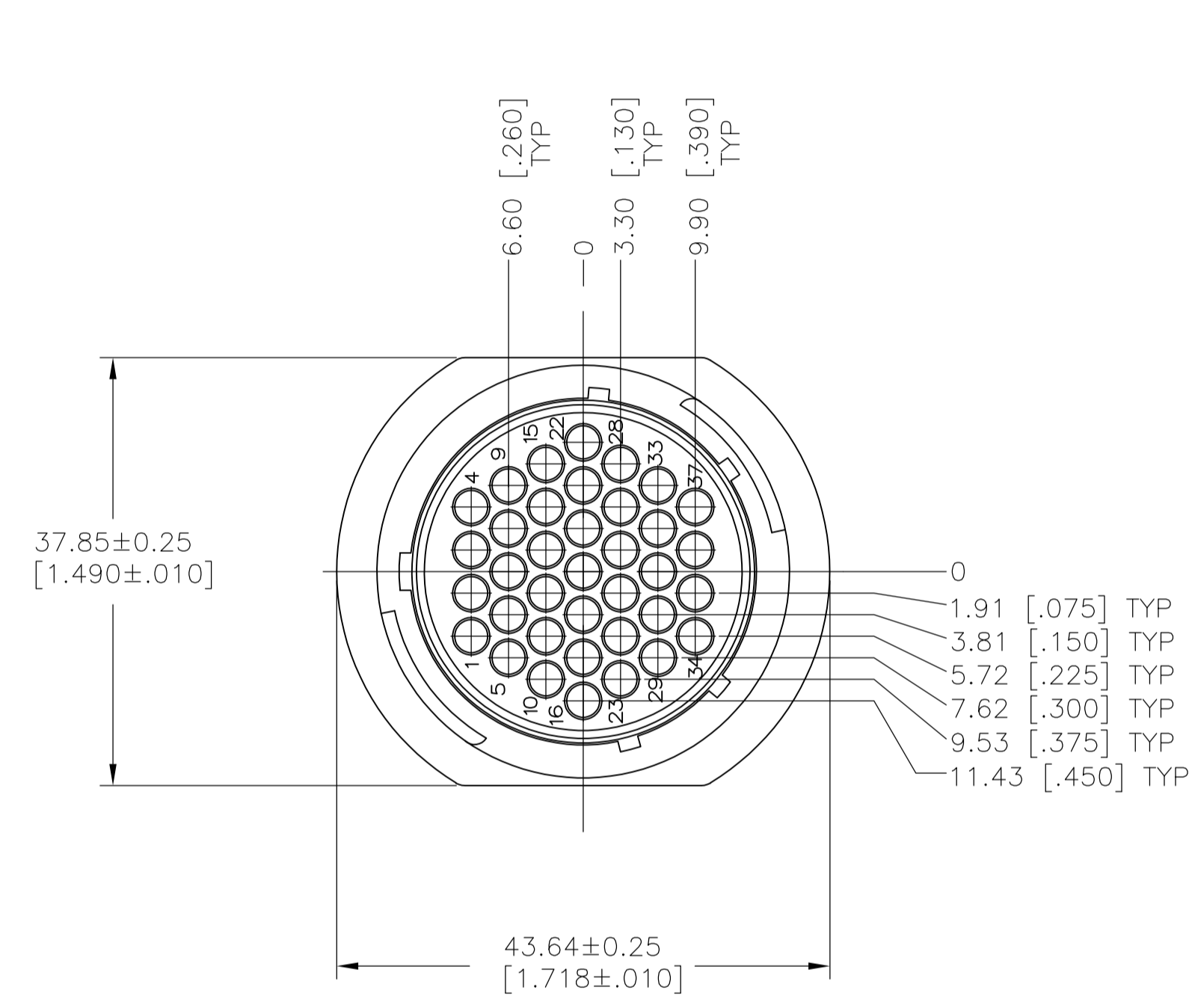


LOC		DIST		REVISIONS			
FT	0	REV	DATE	BY	CHK	APPV	
A		NEW DRAWING PER ECO-12-018480	08NOV12	KH	MZ		

- 1 ADAPTER AND HOUSING: NYLON, BLACK.  
WIRE ENTRY SEAL: ELASTOMER, RED-IRON OXIDE.  
PERIPHERAL SEAL: ELASTOMER, GREY.
- 2 CONNECTOR WILL ACCEPT (37) MULTIMATE PIN CONTACTS.
- 3 ORIENTATION HOLE USED IN THE MANUFACTURING PROCESS ONLY.  
THIS HOLE IS NOT INTENDED FOR WIRE INSERTION.



1977886-1  
PART NUMBER

THIS DRAWING IS A CONTROLLED DOCUMENT.		DIN: KIRAN HOLAL 08NOV12		TE Connectivity	
DIMENSIONS: mm [INCHES]		CHK: M ZITTO 08NOV12			
TOLERANCES UNLESS OTHERWISE SPECIFIED:		APPV: M ZITTO 08NOV12		NAME: CPC FREE HANGING RECEPTACLE ASSEMBLY, SERIES 1, SEALED, 23-37, STANDARD SEX, UV RESISTANT	
0 PLC ± -		PRODUCT SPEC: 108-1579		SIZE: A1	
1 PLC ± -		APPLICATION SPEC: -		CAGE CODE: 00779	
2 PLC ± ± 0.13(.005)		WEIGHT: -		DRAWING NO: 1977886	
3 PLC ± -		RESTRICTED TO: -		SCALE: 2:1	
4 PLC ± -		CUSTOMER DRAWING		SHEET 1 OF 1	
ANGLES ± -				REV A	
FINISH: -					