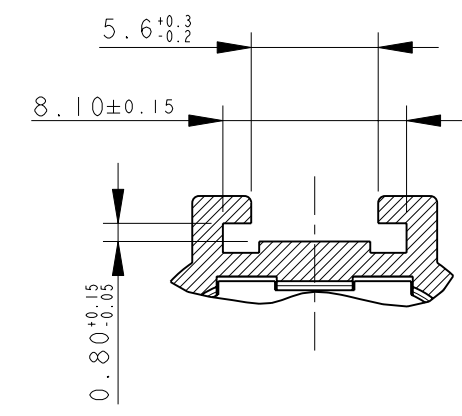
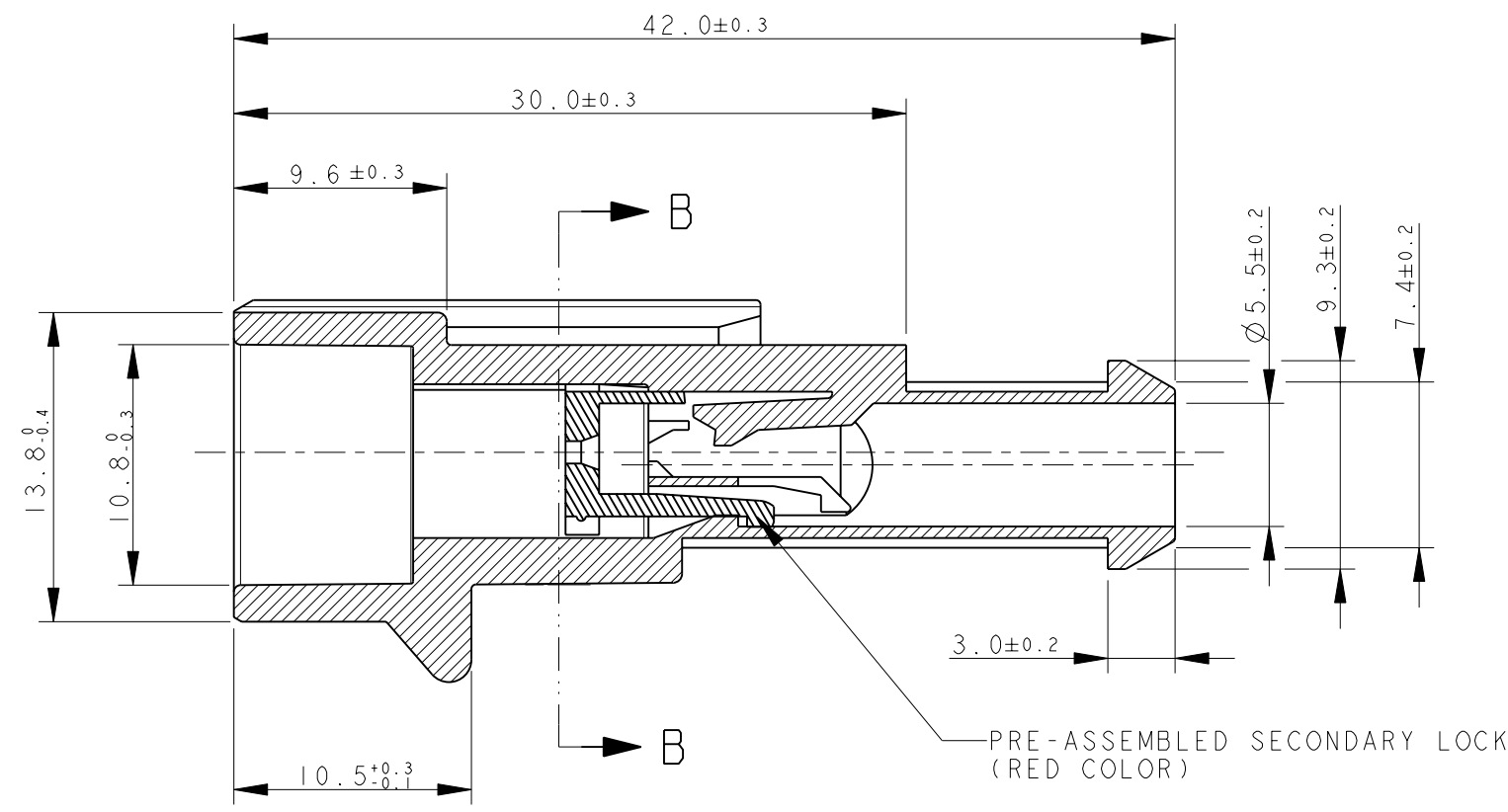
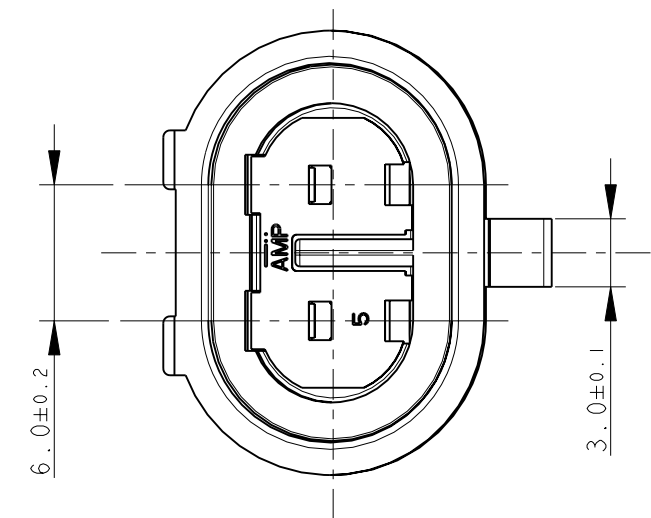
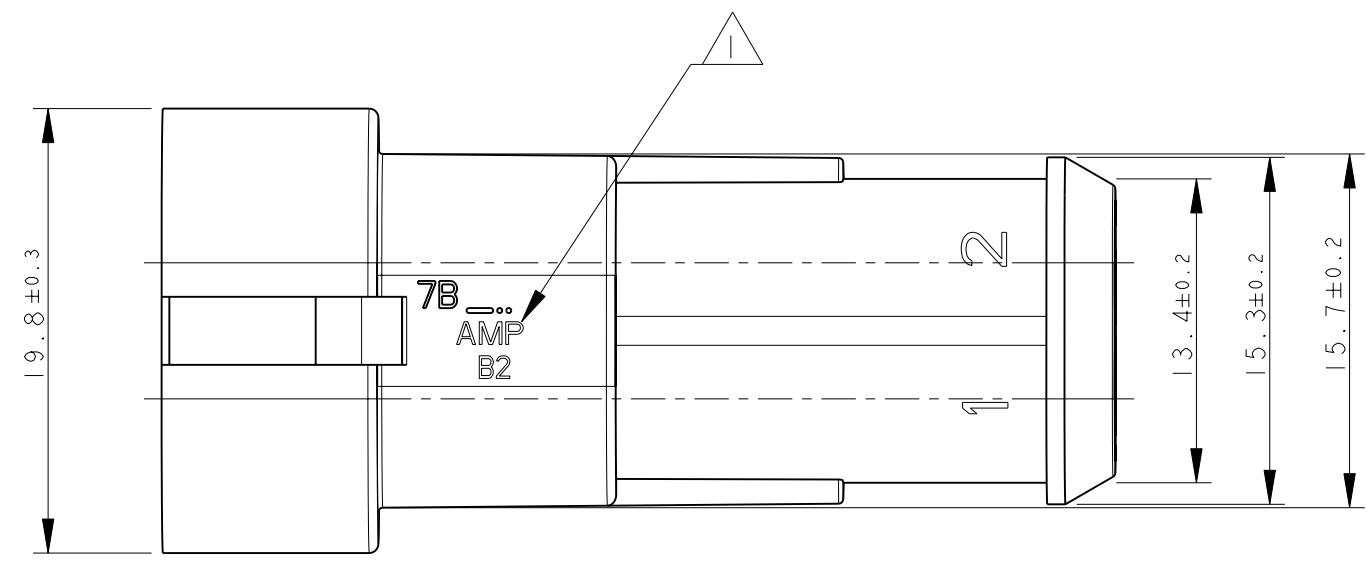


THIS DRAWING IS UNPUBLISHED. RELEASED FOR PUBLICATION 2007
 © COPYRIGHT 2007 BY TYCO ELECTRONICS CORPORATION. ALL RIGHTS RESERVED.

LOC	DIST	REVISIONS					
		P	LTR	DESCRIPTION	DATE	DWN	APVD
1	-	B		REDRAWN (ECR-09-000977)	15/01/2009	M.G.	M.G.



FINISH/COLOR	MATERIAL	PART NUMBER
GREEN	PA66-GF	282104-3
GRAY	PA66-GF	282104-2
BLACK	PA66-GF	282104-1

LOGO "AMP" O, IN ALTERNATIVA, LOGO TYCO ELECTRONICS ("AMP" TRADE MARK OR, IN ALTERNATIVE, TYCO ELECTRONICS TRADE MARK)

THIS DRAWING IS A CONTROLLED DOCUMENT FOR TYCO ELECTRONICS CORPORATION IT IS SUBJECT TO CHANGE AND THE CONTROLLING ENGINEERING ORGANIZATION SHOULD BE CONTACTED FOR THE LATEST REVISION.		DWN C. BERTINI 02-1990	Tyco Electronics AMP Italia S.r.l. Corso F.lli Cervi, 15 - Collegno (TO)	
DIMENSIONS: mm		CHK A. BRUNI 02-1990	NAME AMP SUPERSEAL 1.5 SRS. 2 POSITIONS TAB ASS'Y	
TOLERANCES UNLESS OTHERWISE SPECIFIED: 0 PLC ±- 1 PLC ±0.3 2 PLC ±- 3 PLC ±- 4 PLC ±- ANGLES ±2°		APVD -	PRODUCT SPEC -	
MATERIAL -		FINISH -	APPLICATION SPEC -	RESTRICTED TO -
		WEIGHT -	SIZE A300779	DRAWING NO C-282104
		CUSTOMER DRAWING	SCALE 3:1	SHEET 1 OF 1 REV B