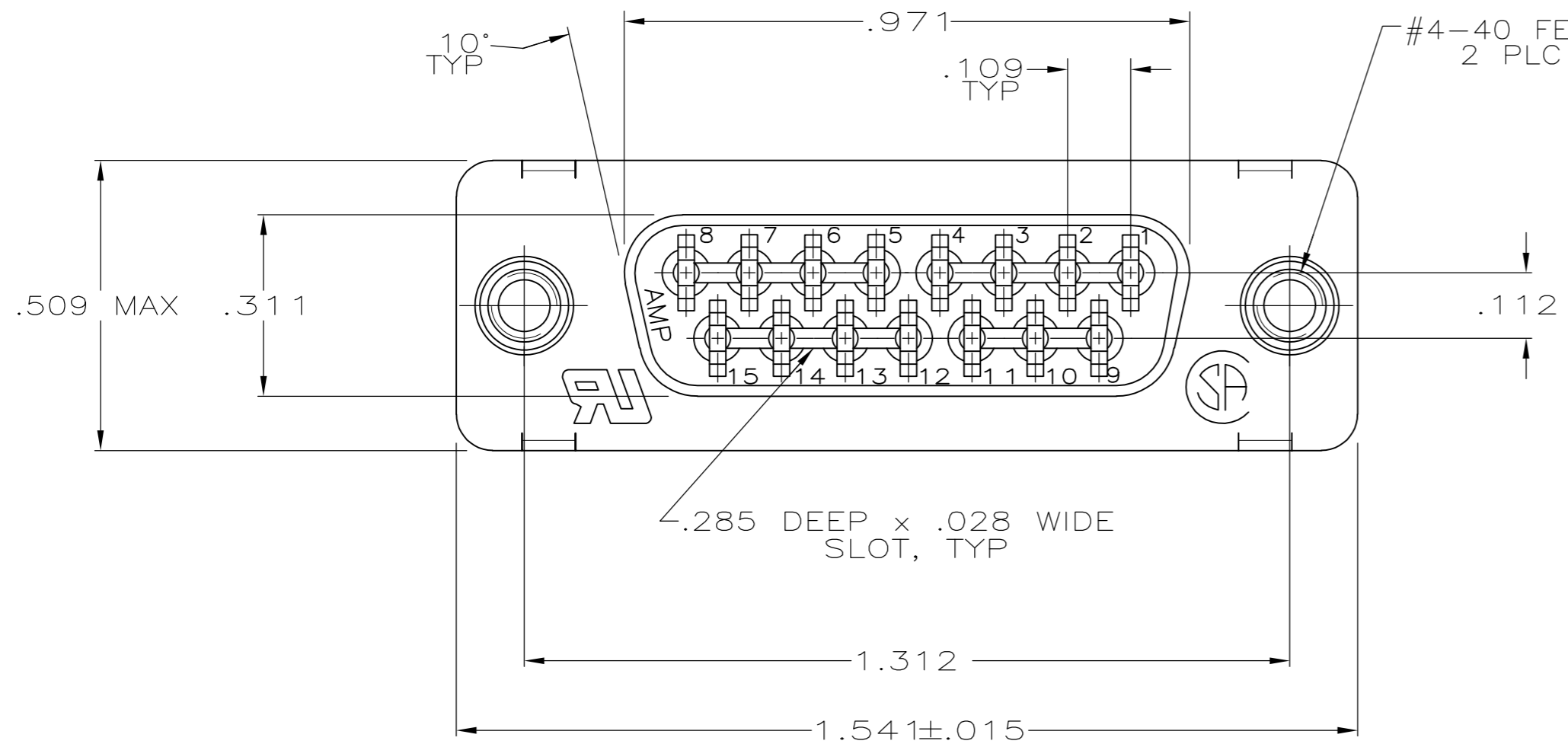
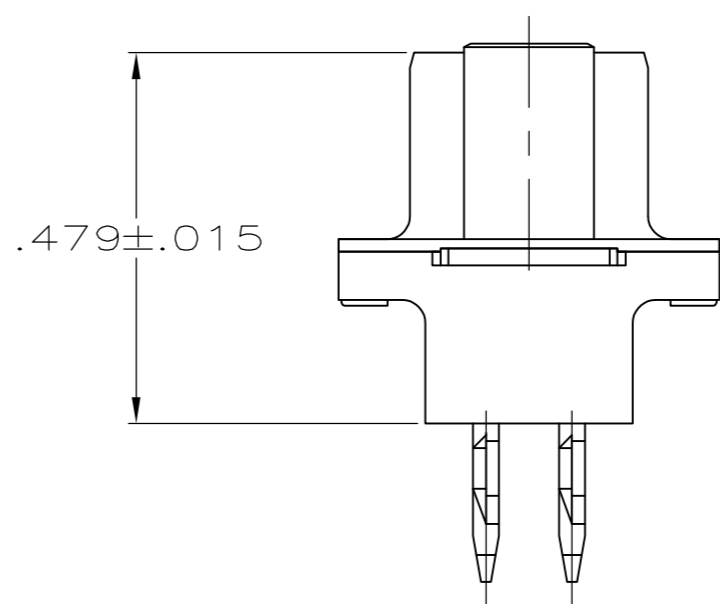
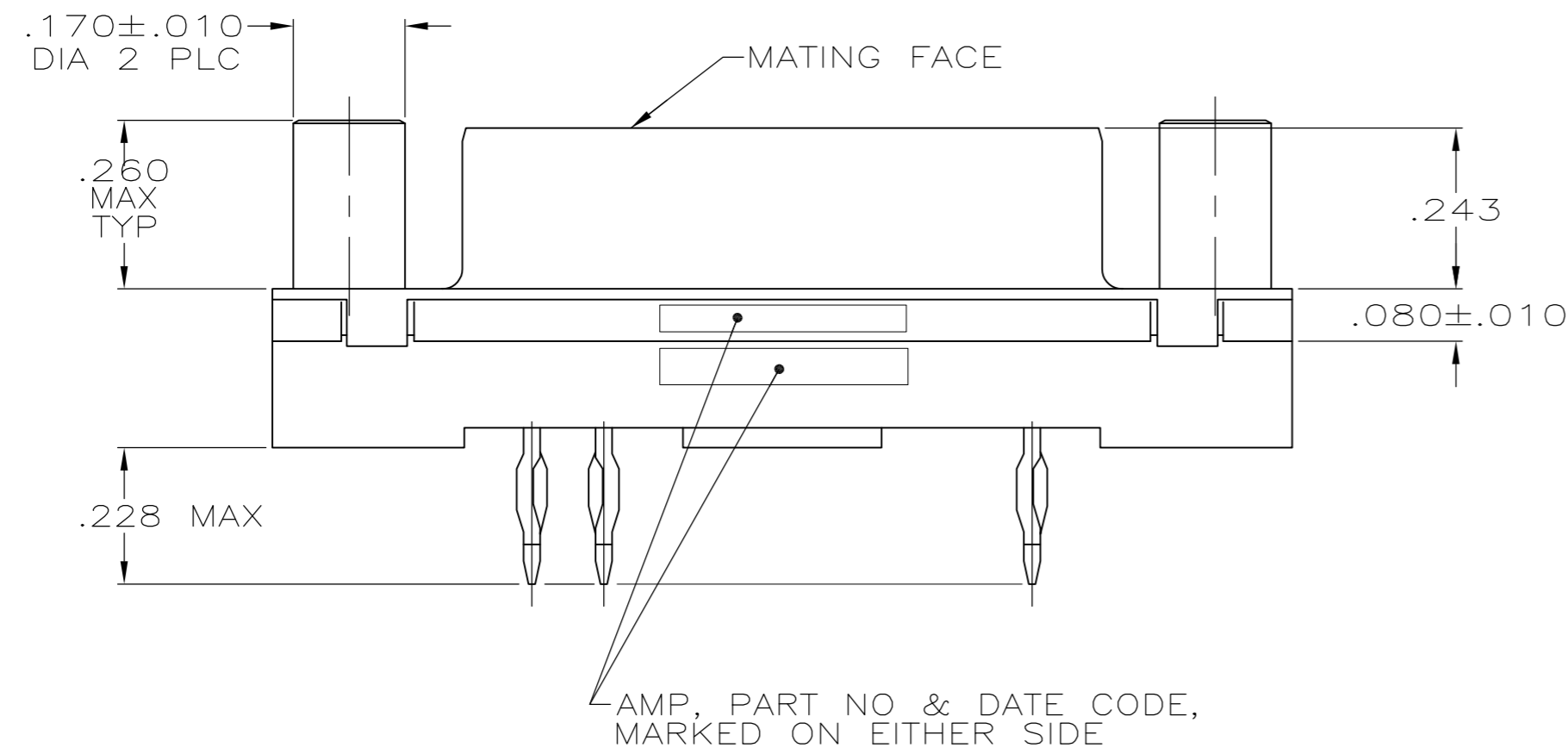


THIS DRAWING IS UNPUBLISHED. RELEASED FOR PUBLICATION  
 © COPYRIGHT - By - ALL RIGHTS RESERVED.

LOC		DIST		REVISIONS			
P	LTR	DESCRIPTION	DATE	DWN	APVD		
GP	00	P					
		P	REV PER ECO-12-000090	30JAN2012	CJV	SLB	



- 1 FOR USE WITH .093 MINIMUM THICK PRINTED CIRCUIT BOARD. REFER TO APPLICATION SPECIFICATION FOR PRINTED CIRCUIT BOARD LAYOUT DIMENSIONS AND FINISH RECOMMENDATIONS.
- 2 DUPLEX PLATED: GOLD FLASH ON MATING SURFACE, BRIGHT TIN OR BRIGHT TIN-LEAD ON COMPLIANT PIN, ALL OVER NICKEL.
- 3 .000030 MINIMUM GOLD IN MATING AREA.  
 .000100 MINIMUM TIN OR TIN-LEAD ON COMPLIANT PIN.  
 ALL OVER .000050 MINIMUM NICKEL.  
 OR  
 GOLD FLASH OVER PALLADIUM NICKEL  
 .000030 MINIMUM TOTAL IN MATING AREA.  
 .000100 MINIMUM TIN OR TIN-LEAD ON COMPLIANT PIN.  
 ALL OVER .000050 MINIMUM NICKEL.



- 4 SHELL: PLATED .0002-.0004 BRIGHT TIN
- 5 NOTE REMOVED.
- 6 MATERIAL: HOUSING: FLAME RETARDANT 94V-0 RATED THERMOPLASTIC, COLOR: BLACK  
 CONTACTS: COPPER ALLOY  
 SHELL: CARBON STEEL.  
 SCREWLOCKS: ZINC ALLOY
- 7 SCREWLOCKS: CLEAR TRIVALENT CHROMATE COATING.

SUPERSEDED BY 747142-2	3	747142-2
	2	747142-1
	CONTACT FINISH	PART NUMBER

THIS DRAWING IS A CONTROLLED DOCUMENT. DIMENSIONING AND TOLERANCING PER ASME Y14.5M-2009		DWN D.HARDY 03-31-94	<b>STE</b> TE Connectivity	
DIMENSIONS: INCHES		CHK R.STONE 04-26-94		
TOLERANCES UNLESS OTHERWISE SPECIFIED:		APVD M.PERCHEK 04-26-94	NAME	
0 PLC ± -	1 PLC ± -	PRODUCT SPEC	RCPT ASSY, SIZE 2, 15 POSN, AMPLIMIT™	
2 PLC ± -	3 PLC ± .005	APPLICATION SPEC	HDP, MDM PROFILE, W/ ACTION PIN	
4 PLC ± -	ANGLES ± -	114-40026 1	SIZE A2	CAGE CODE 00779
MATERIAL 6	FINISH 4 7	WEIGHT -	DRAWING NO C=747142	RESTRICTED TO -
CUSTOMER DRAWING			SCALE 4:1	SHEET 1 of 1