

# C1608NP02A332J080AA

TDK Item Description : C1608NP02A332JT\*\*\*\*

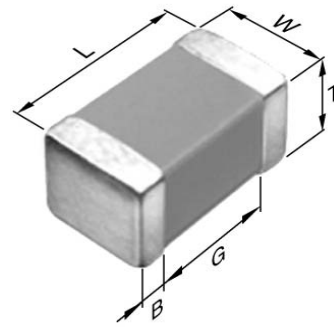


## Application & Main Feature

Commercial Grade ( High Temperature Application )

## Series

C1608 [EIA CC0603]



## Dimensions

L 1.60mm +0.15,-0.1mm  
 W 0.80mm +0.15,-0.1mm  
 T 0.80mm +0.15,-0.1mm  
 B 0.20mm Min.  
 G

## Temperature Characteristic

NP0 (-55 to 150 degC 0+/-30ppm/degC)

## Rated Voltage

2A (100Vdc)

## Capacitance

3.3nF

## Capacitance Tolerance

J (+/-5%)

## Q Factor

1000 Min.

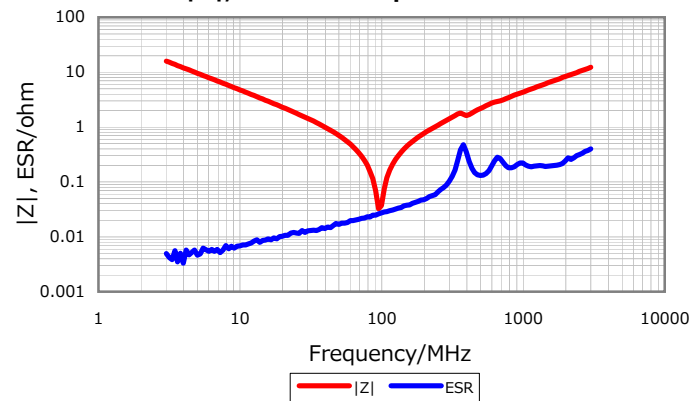
## Insulation Resistance

10Gohm Min.

## AEC-Q200

Not Applicable

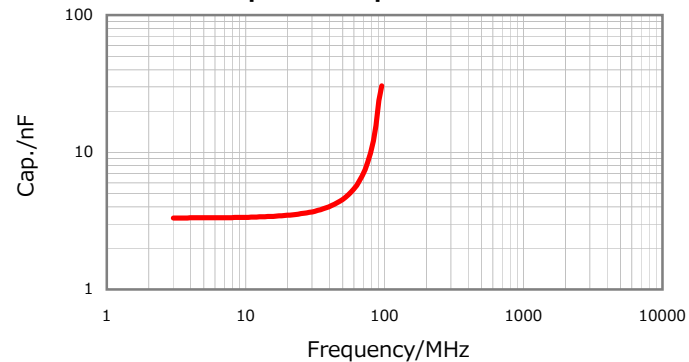
**|Z|, ESR vs. Freq. Characteristics**



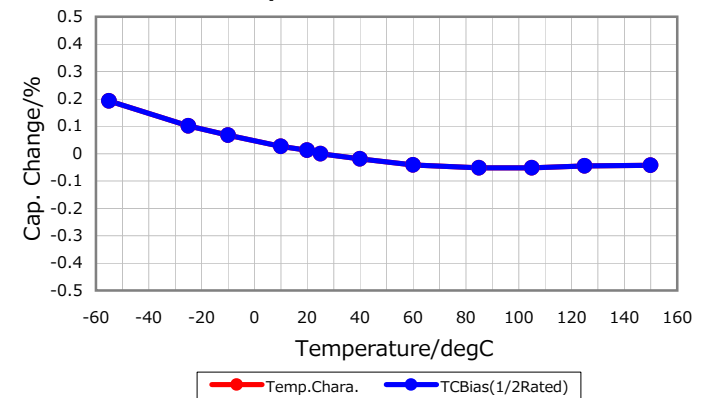
**DC Bias Characteristic**



**Cap. vs. Freq. Characteristic**



**Temperature Characteristics**



Characterization Sheet ( Multilayer Ceramic Chip Capacitors )



All specifications are subject to change without notice.

January 3, 2016